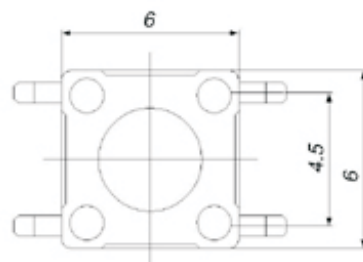
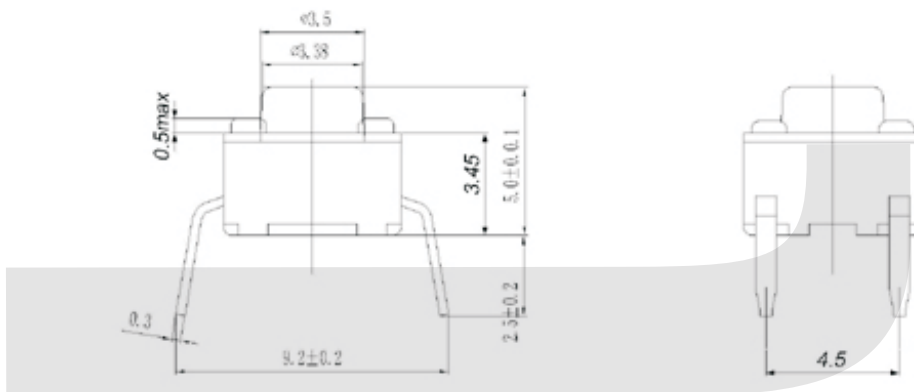


Tact Switch Series

KLS7-TS6605 6x6 Tact Switch Series

ELECTRICAL

- 1.Rating: 50mA 12VDC
- 2.Contact Resistance : 50mΩ max(initial)
- 3.Insulation Resistance: 100MΩ(minDC 250V)
- 4.Dielectric Strength : AC250V(50/60Hz for 1minute)
- 5.Electrically Life: 100000cycles
- 6.Environment temperature:-20°C~+70°C
- 7.Operating Force: 180/250(±30gf)
- 8.Seal temperature:260°C~ 280°C



ORDER INFORMATION

KLS7-TS6605 - H1 - 180 -B

Part Number

Packing: B-Bulk

Operating Force :180~250gf

Hight: H1=4.3mm H2=5.0mm H3=6.0mm
H4=7.0mm H5=8.0mm H6=9.5mm