

## Tact Switch Series

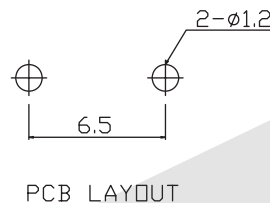
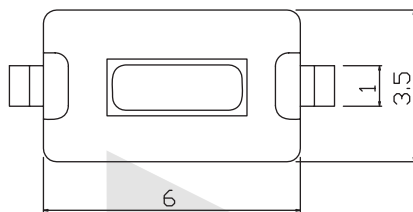
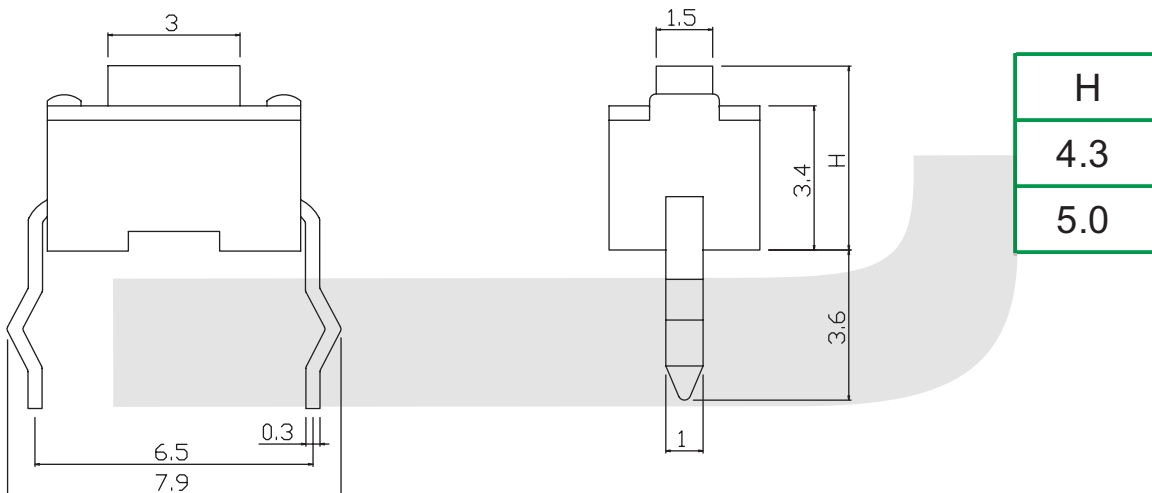
### KLS7-TS3601 3x6 Tact Switch Series

#### ELECTRICAL

1. Rating: 50mA 12VDC
2. Contact Resistance : 50mΩ max(initial)
3. Insulation Resistance: 100MΩ(minDC 250V)
4. Dielectric Strength : AC250V(50/60Hz for 1minute)
5. Electrically Life: 100000cycles
6. Environment temperature: -30°C~+120°C
7. Operating Force: 180/250(±30gf)
8. Seal temperature: 260°C~ 280°C



#### Dimension (unit: mm)



## ORDER INFORMATION

KLS7-TS3601 - 4.3 - 180

Series No. \_\_\_\_\_

Operating Force : 180~250gf

Hight: 4.3mm / 5.0mm