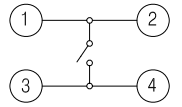


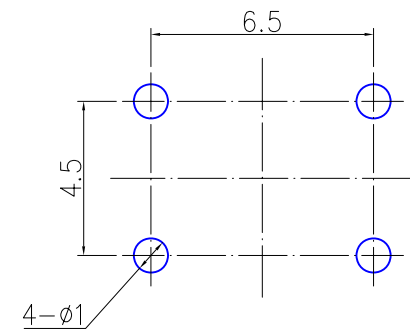
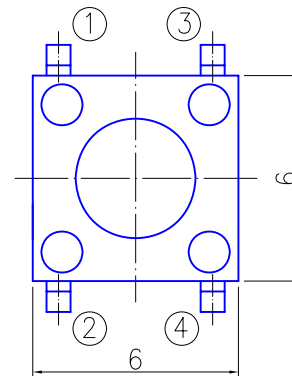
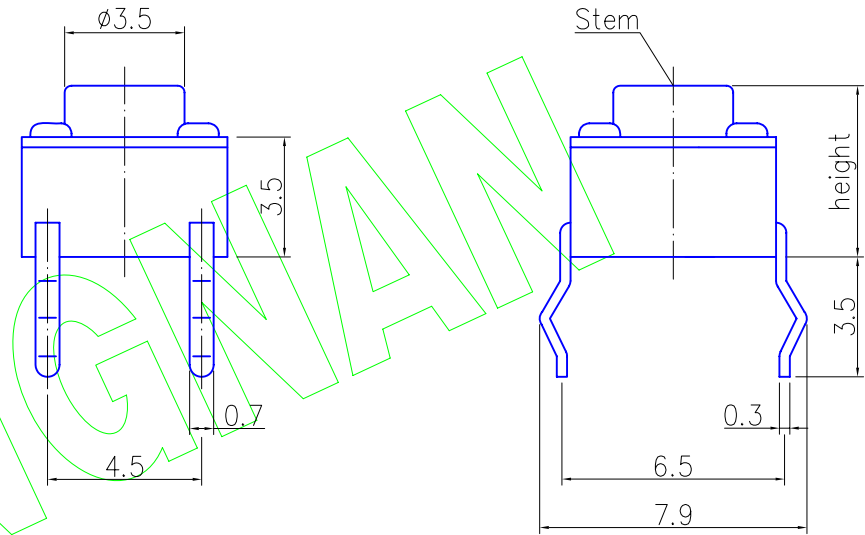
HOW TO ORDER

TS21 □ - □ □ -522 □

code	Height	code	Operation Force	code	Stem color	code	non-RoHS/RoHS
043	4.3	100	100±30gf	B	Black (standard)	no mark	non-RoHS
045	4.5	130	130±50gf	R	Red	7260	RoHS compliant
047	4.7	160	160±50gf (standard)	Q	Grey		
050	5	260	260±80gf	N	Brown		
055	5.5						
060	6						
065	6.5						
070	7						
075	7.5						
078	7.8						
080	8						
085	8.5						
090	9						
095	9.5						
100	10						
107	10.7						
110	11						
115	11.5						
120	12						
125	12.5						
130	13						
140	14						
150	15						
160	16						
170	17						
180	18						
220	22						



Circuit Diagram



SPECIFICATION:

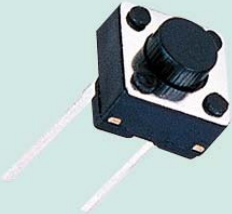




Rating: DC12V 50mA
 Contact Resistance: 100m ohm max
 Insulation Resistance: 100M ohm min
 Life: 50,000 cycles min.




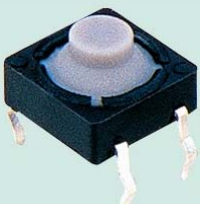

	DWN: Z.L.Y.		DONGNAN ELECTRONICS	
	CHKD: W. Y.	UNIT: mm		
	APVD: C.S.C.	SCALE:	PAGE:	PART NO.: TS21 □ - □ □ -522 □

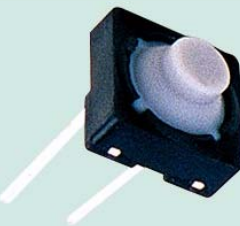


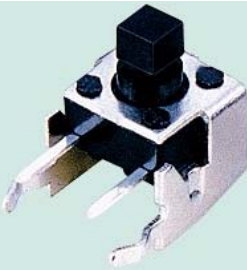



TACT SWITCH - PCB type

<p>TS18</p>  <p>4.5x4.5x3.8~7</p>	<p>TS20</p>  <p>4.5x4.5x3.8~7</p>	<p>TS21</p>  <p>6x6x4~22</p>	<p>TS22</p>  <p>6x6x4~22</p>	<p>TS23073</p>  <p>6x6x7.3</p>
--	--	---	--	---

<p>TS26</p>  <p>6x6x4~22</p>	<p>TS31</p>  <p>12x12x4.3~22</p>	<p>TS32120</p>  <p>12x12x12</p>	<p>TS33073</p>  <p>12x12x7.3</p>	<p>TS34110</p>  <p>12x12x11</p>
--	--	---	---	---

<p>TS54</p>  <p>6x3.5x4.3~5</p>	<p>TS827</p>  <p>7.45x7.45</p>	<p>TS828</p>  <p>10x10x13</p>	<p>TS829</p>  <p>7.7x7.7x5</p>	<p>TS829B</p>  <p>10x10x5.6</p>
--	---	--	--	--

<p>TS830</p>  <p>7.7x7.7x5</p>	<p>TS843</p>  <p>6x4x2.6</p>	<p>TSZ1A</p>  <p>H=4, L=3.15~20.85</p>	<p>TSZ1A-0615-SQ</p>  <p>H=4, L=6.15</p>	<p>TSZ1D</p>  <p>H=7, L=3.15~20.85</p>
---	---	---	--	---