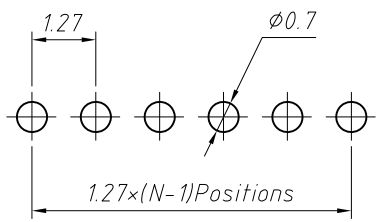
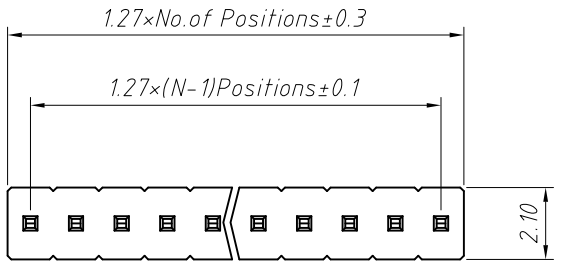


1
RoHS Compliance

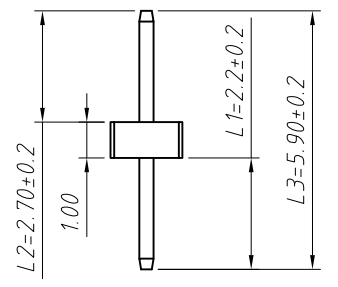
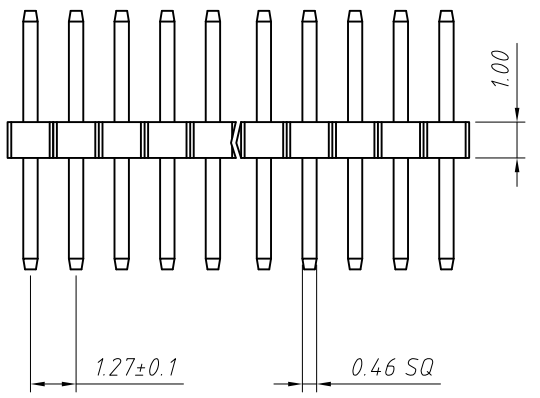


Recommended P.C.B Hole Layout

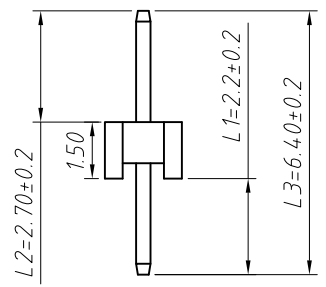
Material:
Standard:PA6T
Contact: Brass
Insulator:Polyester,UL 94V-0

Electrical Characteristics:
Rated Current: 1AMP
Contact Resistance: 20mΩ Max
Withstand Voltage: 500V AC/DC
Insulator Resistance: 1000MΩ Min

Mechanical
Operating Temperature: -40°C~+105°C
Max.Processing Temp:240 for 30-60 seconds
(260°C for 10 seconds)

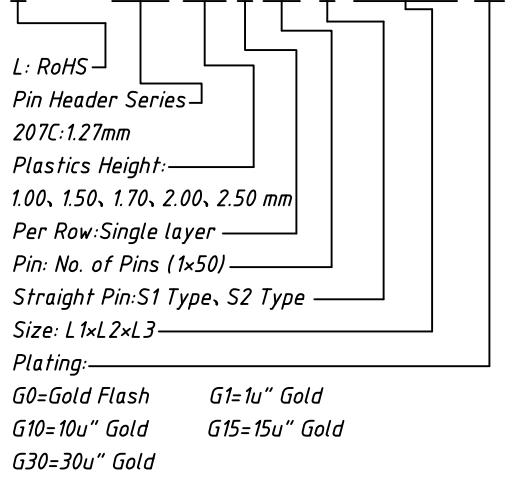


S1 Type



S2 Type

Order Information:
L-KLS1-207C-1.00-1-XX-S1-L1xL2xL3-G0

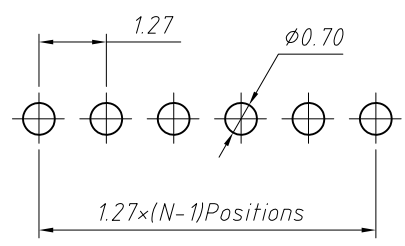
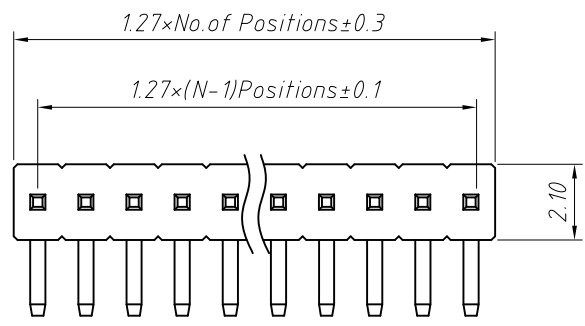


Dimension antitheses list (mm)

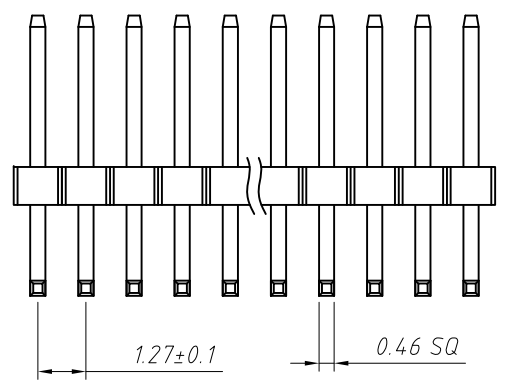
ITEM	L1	L2	L3	Plastic Height
Standard	2.20	2.70	5.90	1.00
Nonstandard	---	---	---	---

ANGLE TOLERANCE	PROJECTION	Description:	1.27mm Pin Header
±3°		Single layer, Straight Pin, 1xN Pin	
GENERAL TOLERANCE	UNITS	mm	KLS P/N: L-KLS1-207C-1.00-1-XX-S1-L1xL2xL3-G0
x.x ±0.30	SHEET SIZE	A4	NingBo KLS ELECTRONIC CO.,L TD.
x.xx ±0.20	Draw:	Daniel 2018-07-10	
x.xxx ±0.10	Check:	Daniel 2018-07-10	

1
RoHS Compliance



Recommended P.C.B Hole Layout



Dimension antitheses list (mm)

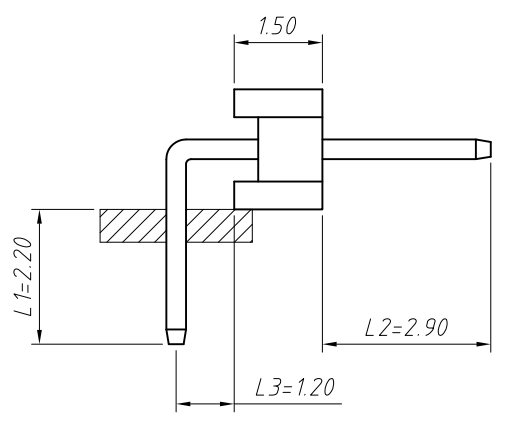
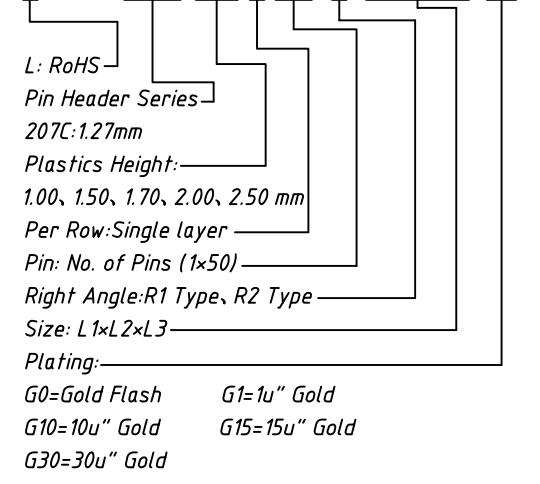
ITEM	L1	L2	L3	Plastic Height
Standard	2.20	2.90	1.20	1.50
Nonstandard	---	---	---	---

Material:
Standard: PA6T
Contact: Brass
Insulator: Polyester, UL 94V-0

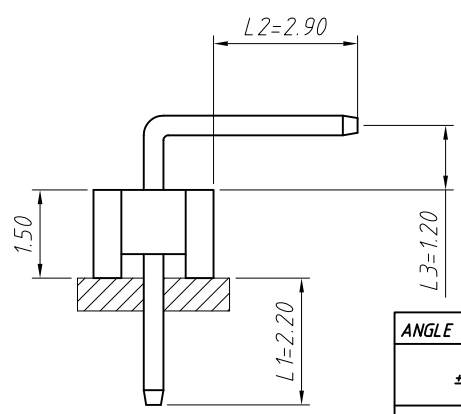
Electrical Characteristics:
Rated Current: 1AMP
Contact Resistance: 20mΩ Max
Withstand Voltage: 500V AC/DC
Insulator Resistance: 1000MΩ Min

Mechanical
Operating Temperature: -40°C ~ +105°C
Max. Processing Temp: 240 for 30-60 seconds
(260°C for 10 seconds)

Order Information:
L-KLS1-207C-1.50-1-XX-R1-L1xL2xL3-G0



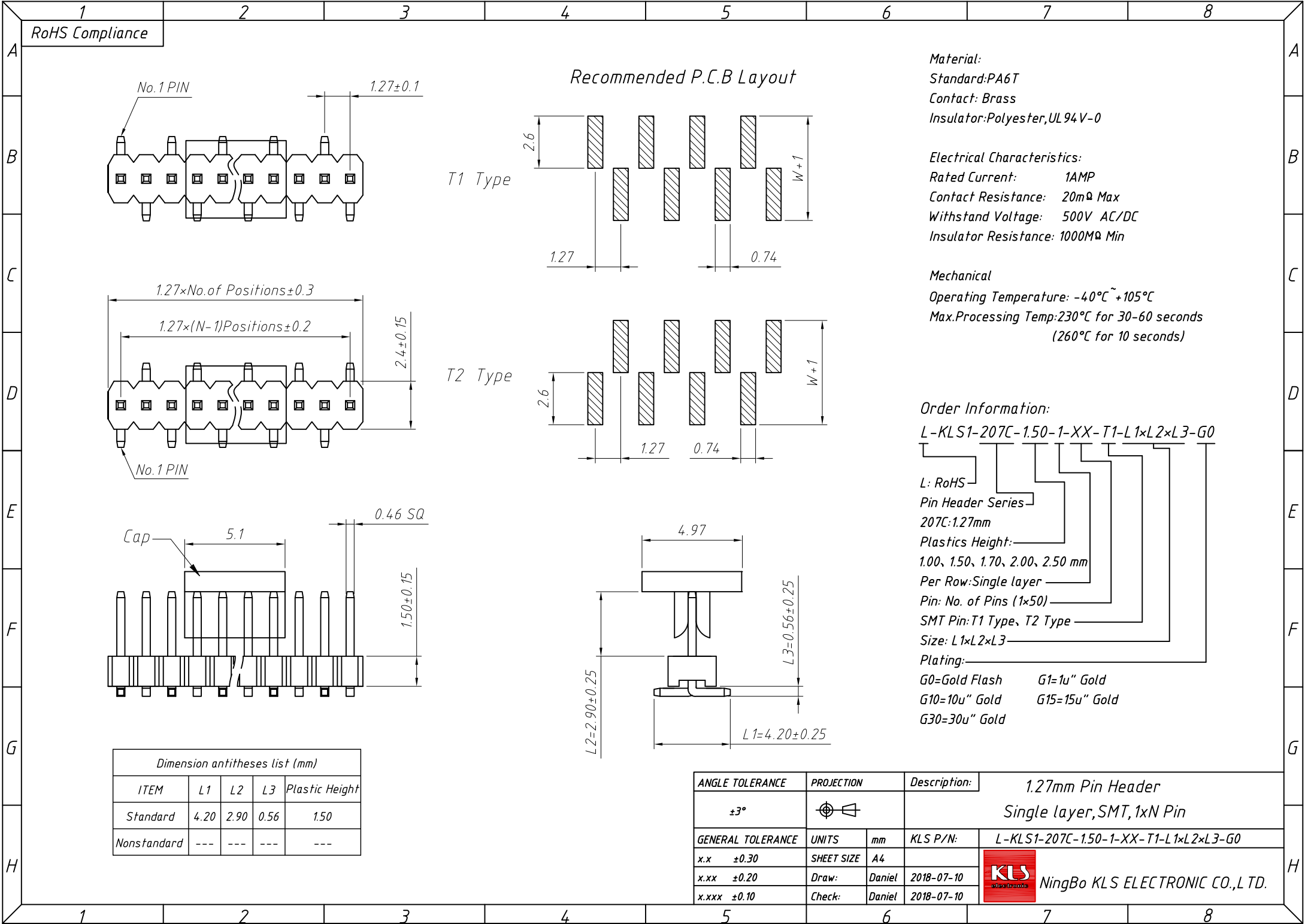
R2 Type



R1 Type

ANGLE TOLERANCE	PROJECTION	Description:	1.27mm Pin Header	
±3°		Single layer, Right Angle Pin, 1xN Pin		
GENERAL TOLERANCE	UNITS	mm	KLS P/N:	L-KLS1-207C-1.50-1-XX-R1-L1xL2xL3-G0
x.x ±0.30	SHEET SIZE	A4		NingBo KLS ELECTRONIC CO.,L TD.
x.xx ±0.20	Draw:	Daniel	2018-07-10	
x.xxx ±0.10	Check:	Daniel	2018-07-10	

1
RoHS Compliance



Recommended P.C.B Layout

T1 Type

T2 Type

Material:
Standard:PA6T
Contact: Brass
Insulator:Polyester,UL94V-0

Electrical Characteristics:
Rated Current: 1AMP
Contact Resistance: 20mΩ Max
Withstand Voltage: 500V AC/DC
Insulator Resistance: 1000MΩ Min

Mechanical
Operating Temperature: -40°C ~ +105°C
Max.Processing Temp:230°C for 30-60 seconds
(260°C for 10 seconds)

Order Information:

L-KLS1-207C-1.50-1-XX-T1-L1×L2×L3-G0

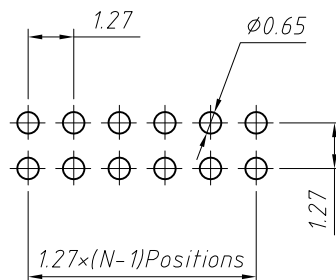
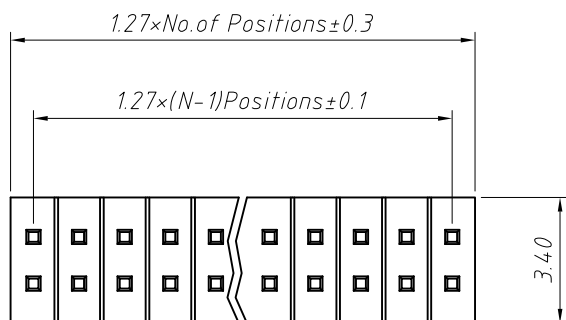
L: RoHS
Pin Header Series
207C:1.27mm
Plastics Height:
1.00, 1.50, 1.70, 2.00, 2.50 mm
Per Row:Single layer
Pin: No. of Pins (1×50)
SMT Pin:T1 Type, T2 Type
Size: L1×L2×L3
Plating:
G0=Gold Flash G1=1u" Gold
G10=10u" Gold G15=15u" Gold
G30=30u" Gold

Dimension antitheses list (mm)

ITEM	L1	L2	L3	Plastic Height
Standard	4.20	2.90	0.56	1.50
Nonstandard	---	---	---	---

ANGLE TOLERANCE	PROJECTION	Description:	1.27mm Pin Header
±3°			Single layer, SMT, 1xN Pin
GENERAL TOLERANCE	UNITS	mm	KLS P/N: L-KLS1-207C-1.50-1-XX-T1-L1×L2×L3-G0
x.x ±0.30	SHEET SIZE	A4	NingBo KLS ELECTRONIC CO.,L TD.
x.xx ±0.20	Draw:	Daniel	
x.xxx ±0.10	Check:	Daniel	

1 RoHS Compliance

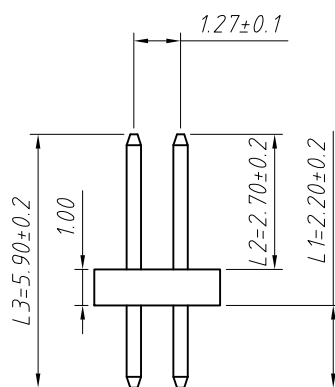
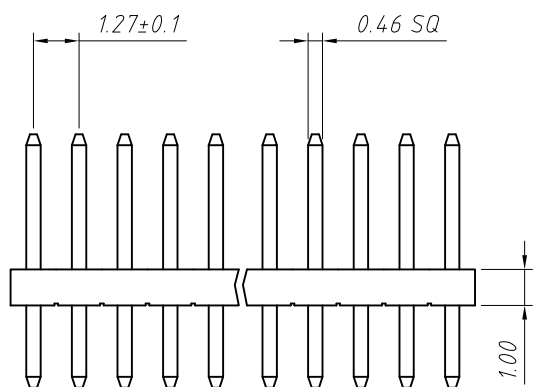


Recommended P.C.B Hole Layout

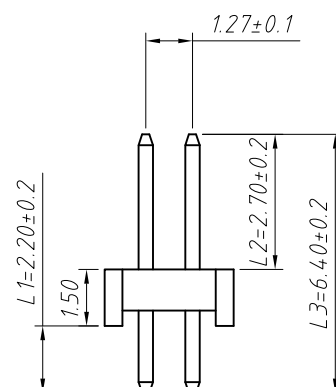
Material:
Standard:PA6T
Contact: Brass
Insulator:Polyester,UL 94V-0

Electrical Characteristics:
Rated Current: 1AMP
Contact Resistance: 20mΩ Max
Withstand Voltage: 500V AC/DC
Insulator Resistance: 1000MΩ Min

Mechanical
Operating Temperature: -40°C~+105°C
Max.Processing Temp:240 for 30-60 seconds
(260°C for 10 seconds)



S1 Type



S2 Type

Order Information:
L-KLS1-207C-1.00-2-XX-S1-L1xL2xL3-G0

L: RoHS
Pin Header Series
207C:1.27mm
Plastics Height:
1.00, 1.50, 1.70, 2.00, 2.50 mm
Per Row:Double layer
Pin: No. of Pins (2x50)
Straight Pin:S1 Type, S2 Type
Size: L1xL2xL3
Plating:
G0=Gold Flash G1=1u" Gold
G10=10u" Gold G15=15u" Gold
G30=30u" Gold

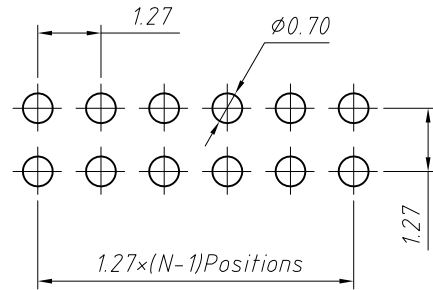
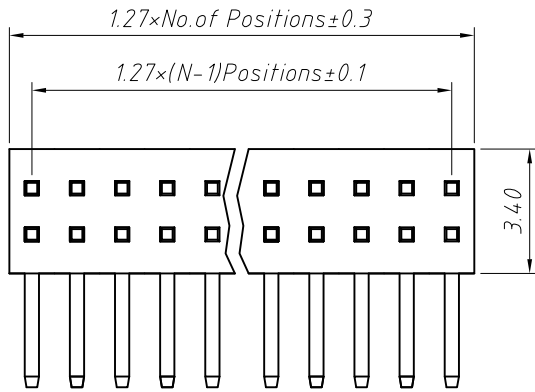
Dimension antitheses list (mm)				
ITEM	L1	L2	L3	Plastic Height
Standard	2.20	2.70	5.90	1.00
Nonstandard	---	---	---	---

ANGLE TOLERANCE	PROJECTION	Description:	
±3°		1.27mm Pin Header	
		Double layer, Straight Pin, 1xN Pin	
GENERAL TOLERANCE	UNITS	mm	KLS P/N:
x.x ±0.30	SHEET SIZE	A4	L-KLS1-207C-1.00-2-XX-S1-L1xL2xL3-G0
x.xx ±0.20	Draw:	Daniel	2018-07-10
x.xxx ±0.10	Check:	Daniel	2018-07-10



NingBo KLS ELECTRONIC CO.,L TD.

1 RoHS Compliance

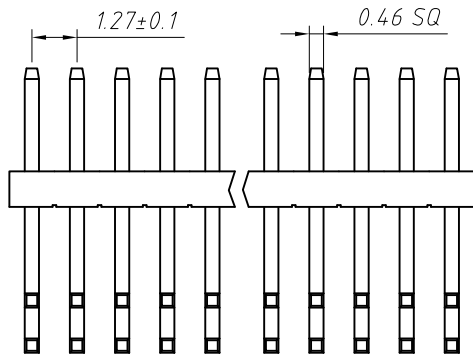


Recommended P.C.B Hole Layout

Material:
Standard: PA6T
Contact: Brass
Insulator: Polyester, UL 94 V-0

Electrical Characteristics:
Rated Current: 1AMP
Contact Resistance: 20mΩ Max
Withstand Voltage: 500V AC/DC
Insulator Resistance: 1000MΩ Min

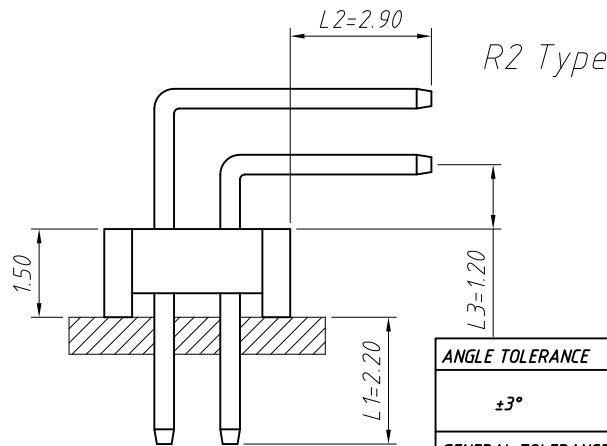
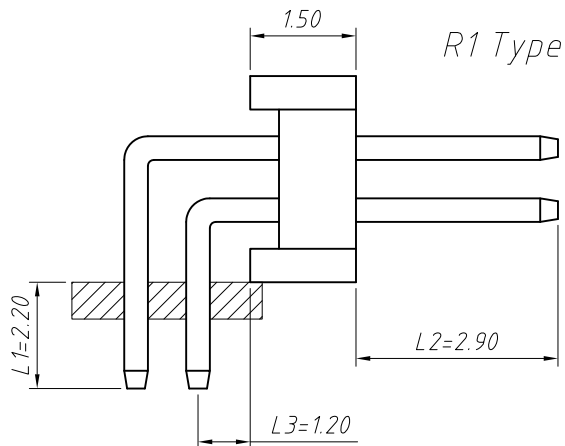
Mechanical
Operating Temperature: -40°C ~ +105°C
Max. Processing Temp: 240 for 30-60 seconds
 (260°C for 10 seconds)



Dimension antitheses list (mm)				
ITEM	L1	L2	L3	Plastic Height
Standard	2.20	2.90	1.20	1.50
Nonstandard	---	---	---	---

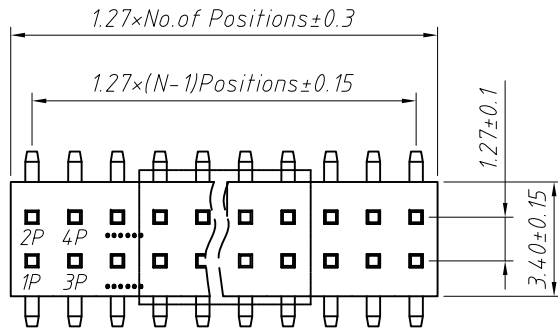
Order Information:
 L-KLS1-207C-1.50-2-XX-R1-L1xL2xL3-G0

L: RoHS
 Pin Header Series
 207C: 1.27mm
 Plastics Height:
 1.00, 1.50, 1.70, 2.00, 2.50 mm
 Per Row: Double layer
 Pin: No. of Pins (2x50)
 Right Angle: R1 Type, R2 Type
 Size: L1xL2xL3
 Plating:
 G0=Gold Flash G1=1u" Gold
 G10=10u" Gold G15=15u" Gold
 G30=30u" Gold

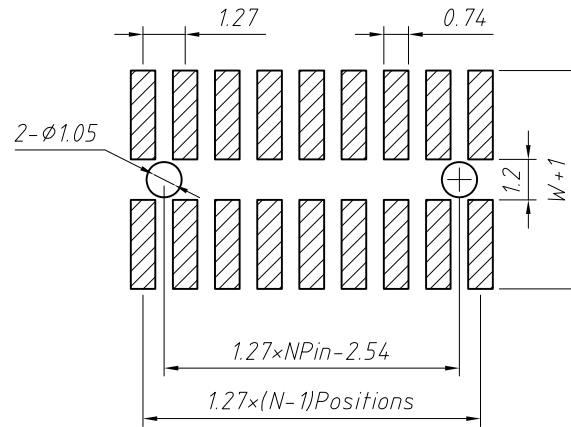


ANGLE TOLERANCE	PROJECTION	Description:	1.27mm Pin Header	
±3°		Double layer, Right Angle Pin, 1xN Pin		
GENERAL TOLERANCE	UNITS	mm	KLS P/N:	L-KLS1-207C-1.50-2-XX-R1-L1xL2xL3-G0
x.x ±0.30	SHEET SIZE	A4		
x.xx ±0.20	Draw:	Daniel	2018-07-10	NingBo KLS ELECTRONIC CO.,L TD.
x.xxx ±0.10	Check:	Daniel	2018-07-10	

1 RoHS Compliance



Recommended P.C.B Layout



Material:
Housing:PA6T
Contact: Brass

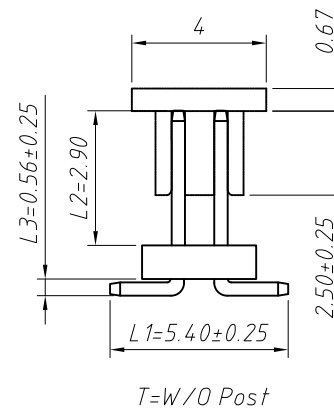
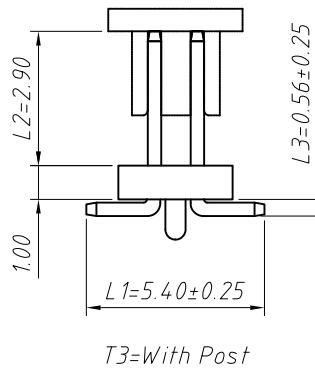
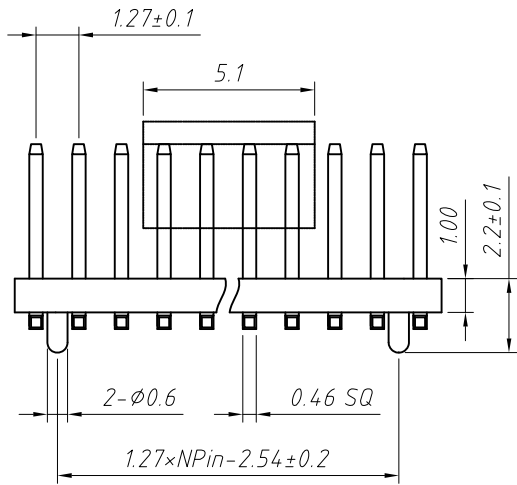
Electrical Characteristics:
Rated Current: 1AMP
Contact Resistance: 20mΩ Max
Withstand Voltage: 500V AC/DC
Insulator Resistance: 1000MΩ Min

Mechanical
Operating Temperature: -40°C ~ +105°C

Order Information:

L-KLS1-207C-1.00-2-XX-T-L1xL2xL3-G0-R

L: RoHS
Pin Header Series
207C:1.27mm
Plastics Height:
1.00, 1.50, 1.70, 2.00, 2.50 mm
Per Row:Double layer
Pin: No. of Pins (2x40)
SMT Pin:T3=With Post T=W/O Post
Size:L1xL2xL3
Plating:
G0=Gold Flash G1=1u" Gold G10=10u" Gold
G15=15u" Gold G30=30u" Gold
Packing:
0=PE Bag A=Tray T=Tube
P=Tube+Cap R=Reel+Cap



Dimension antitheses list (mm)				
ITEM	L1	L2	L3	Plastic Height
Standard	5.40	2.90	0.56	1.00
Nonstandard	---	---	---	---

ANGLE TOLERANCE	PROJECTION	Description:	1.27 Pin Header	
±3°		Double layer, 2xN Pin horizontal SMT		
GENERAL TOLERANCE	UNITS	mm	KLS P/N:	L-KLS1-207C-1.00-2-XX-T-L1xL2xL3-G0-R
x.x ±0.30	SHEET SIZE	A4		NingBo KLS ELECTRONIC CO.,L TD.
x.xx ±0.20	Draw:	Daniel	2018-07-10	
x.xxx ±0.10	Check:	Daniel	2018-07-10	