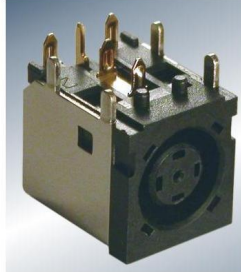


DC Power Jack Connector

JPD Series
Right Angle, T/H
3 Pos.



SPECIFICATIONS

Mechanical

Mating Force: 1.5Kg max. (3.33Lb)
Unmating Force: 0.35Kg min. (0.78Lb)
Durability: 20000 Cycles

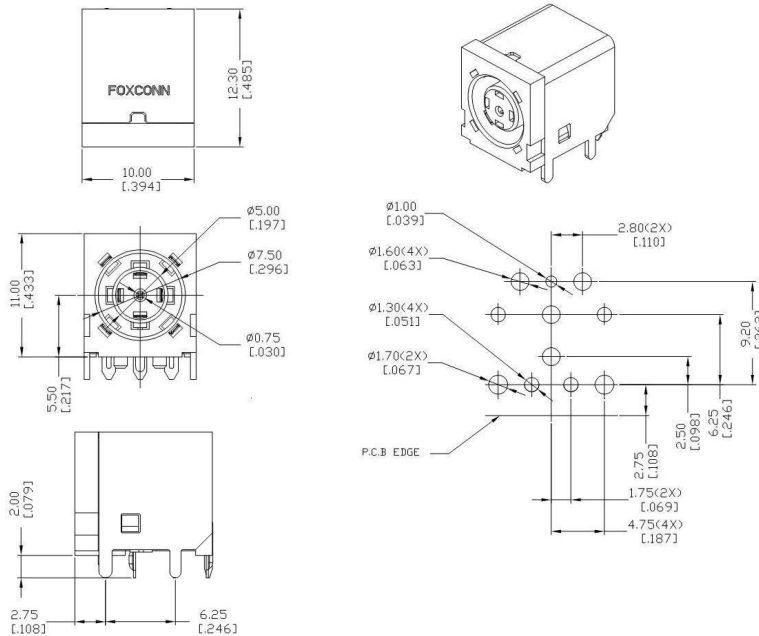
Electrical

Voltage Rating: 42V
Current Rating: 10A max.
Contact Resistance: 30mΩ max. (initial)
40mΩ max. (after Life Test)
Dielectric Withstanding Voltage: 150V AC/1min min.
Insulation Resistance: 100MΩ min.

Physical

Housing: Hi-Temp. Thermoplastic, UL 94V-0 rated
Contact: Copper alloy
Plating: See "ORDERING INFORMATION"
Operating Temperature: -40°C to +85°C

DRAWING



ORDERING INFORMATION

PRODUCT NO. J P D 1 1 3 5 - 5 0 9 - 7 F

Jack Series: JP=Power Jack, D=DC
Terminator Type: 1=Right Angle T/H
Contact Design Type: 1=Female

Lead Free Code: F=Lead Free
Package Code: 7= Tape Reel Packing
Modification Code
Contact Area Plating: 5=50μ Gold Plated
No. of Pos: 3=3 Pos

6	插针	H62黄铜带 0.4	1	镀金
5	平片	H62黄铜带 0.3	1	镀金
4	弯片	H62黄铜带 0.3	1	镀金
3	簧片	H62黄铜带 0.3	1	镀金
2	盖子	H62黄铜带 0.5	1	镀镍
1	底座	PBT	1	黑色
序号	名称	材料	数量	镀层

产品名称	DC JACK	型号	PJ-030	
绘图:	董丽明	09/12/20	刻度	Jpd1135-509-7f
批准:			单位	mm
			projection	