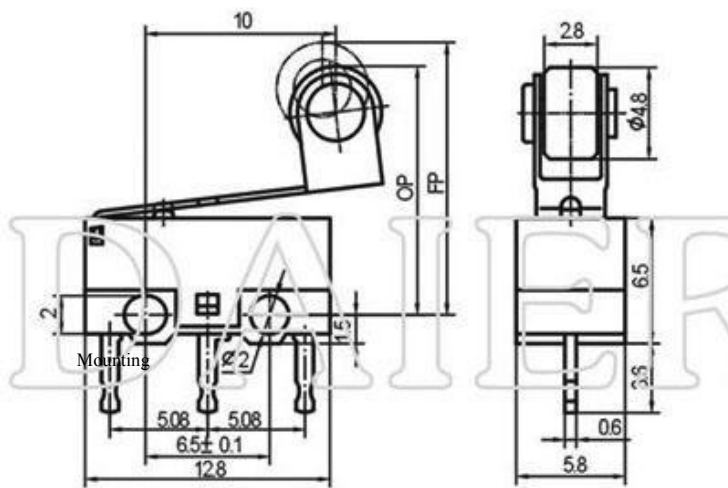


TYPE: **KW-10-Z4P**

SPECIFICATIONS

Rating: 1A 125V AC
Contact R: 30mΩ max
Insulation R: 250V DC 100MΩ min
Dielectric Strength: 1 Minute 1000V AC
Operating Temperature: -25°C ~ +65°C
Electrical Life: 30, 000 Cycles
L, mm: 12

Outline Drawing



Circuitry

