



## connectors industrial circular Series

### KLS15-225-M16 Connectors Industrial Circular Series

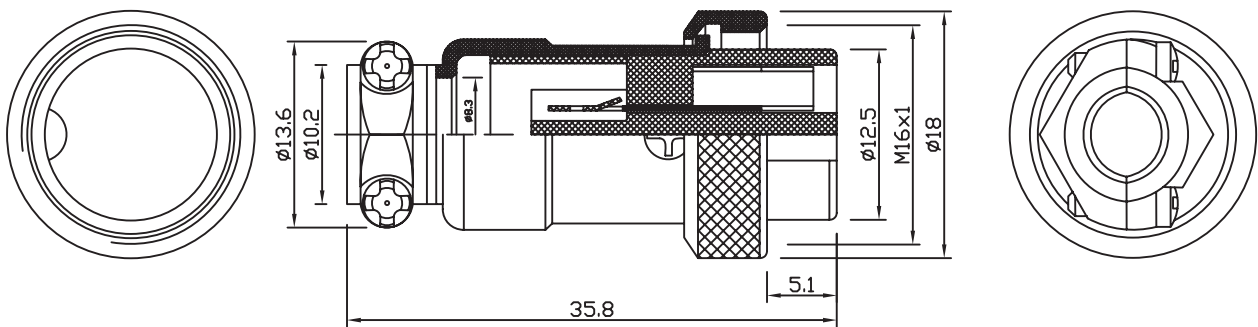
Safety approval : UL Water proof IP $\geq$ 55  
Subminiature aviation linkers are widely used for the Hi-Tech trade. The appearances of the products has two kinds, plug-type and thread type. Used in the installation of the panel, small, exquisite and sensitive. It's nickel-plated and easy to plug-in.

**Electrical Characteristics:**

- Rated current: 2-4P: 7A
- 5P: 5A
- 6-10P: 4A
- Rated Voltage: 125V
- Operation Voltage: 200 VAC
- Withstanding Voltage : 1500 VAC
- Insulation resistance : 2000M $\Omega$  DC 500V
- Contact resistance: 10 m $\Omega$  DC1A
- Solder cup mouth diameter: 2~4P: 1.6 mm
- 5P: 1.2 mm
- 6~10P: 0.9 mm
- Solder diameter: 2-4P: 2.45 mm
- 5P: 2 mm
- 6-10P: 1.15 mm



Plug IP55



## ORDER INFORMATION

Product No.: KLS15-225-M16-2 F1

Pos. No. \_\_\_\_\_  
Dental regulations: M16 \_\_\_\_\_  
Number of Contacts: 2, 3, 4, 5, 6, 7, 8, 9, 10P \_\_\_\_\_

2P	3P	4P	5P	6P
7P	8P	9P	10P	

TYPE Ordering





## connectors industrial circular Series

### KLS15-225-M16 Connectors Industrial Circular Series

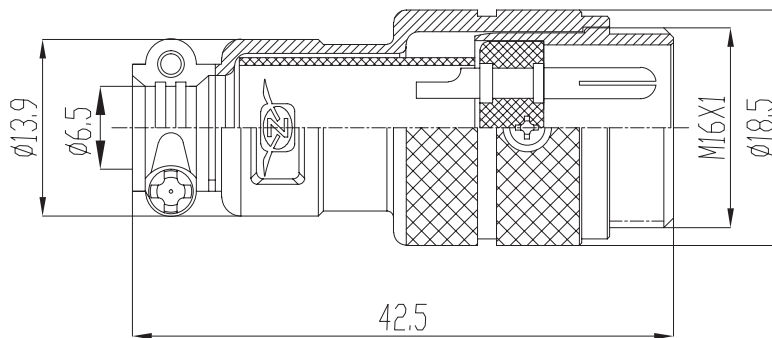
Safety approval : UL Water proof IP $\geq$ 55  
 Subminiature aviation linkers are widely used for the Hi-Tech trade. The appearances of the products has two kinds, plug-type and thread type. Used in the installation of the panel, small, exquisite and sensitive. It's nickel-plated and easy to plug-in.

**Electrical Characteristics:**

- Rated current: 2-4P: 7A
- 5P: 5A
- 6-10P:4A
- Rated Voltage:125V
- Operation Voltage: 200 VAC
- Withstanding Voltage :1500 VAC
- Insulation resistance :2000M $\Omega$  DC 500V
- Contact resistance: 10 m $\Omega$  DC1A
- Solder cup mouth diameter: 2~4P: 1.6 mm
- 5P: 1.2 mm
- 6~10P: 0.9 mm
- Solder diameter: 2-4P: 2.45 mm
- 5P: 2 mm
- 6-10P: 1.15 mm



Male cable connecting plug IP55



## ORDER INFORMATION

Product No.: KLS15-225-M16-2 F2

Pos. No. \_\_\_\_\_  
 Dental regulations: M16 \_\_\_\_\_  
 Number of Contacts: 2, 3, 4, 5, 6, 7, 8, 9, 10P

2P	3P	4P	5P	6P
7P	8P	9P	10P	

TYPE Ordering



## connectors industrial circular Series

### KLS15-225-M16 Connectors Industrial Circular Series

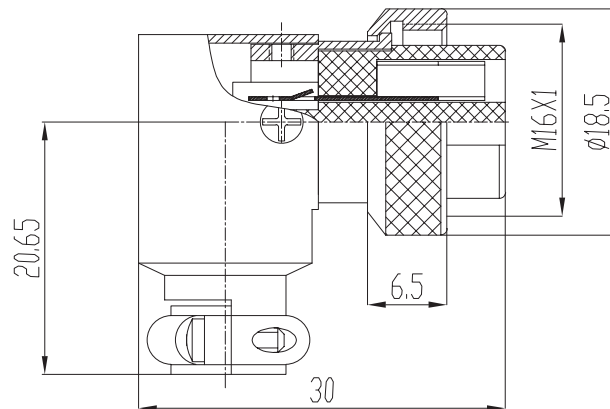
Safety approval : UL Water proof IP $\geq$ 55  
Subminiature aviation linkers are widely used for the Hi-Tech trade. The appearances of the products has two kinds, plug-type and thread type. Used in the installation of the panel, small, exquisite and sensitive. It's nickel-plated and easy to plug-in.

**Electrical Characteristics:**

- Rated current: 2-4P: 7A
- 5P: 5A
- 6-10P: 4A
- Rated Voltage: 125V
- Operation Voltage: 200 VAC
- Withstanding Voltage :1500 VAC
- Insulation resistance :2000M $\Omega$  DC 500V
- Contact resistance: 10 m $\Omega$  DC1A
- Solder cup mouth diameter: 2~4P: 1.6 mm
- 5P: 1.2 mm
- 6~10P: 0.9 mm
- Solder diameter: 2-4P: 2.45 mm
- 5P: 2 mm
- 6-10P: 1.15 mm



90 degree angled plug IP55



## ORDER INFORMATION

Product No.: KLS15-225-M16-2 F3

Pos. No. \_\_\_\_\_  
Dental regulations: M16 \_\_\_\_\_  
Number of Contacts: 2, 3, 4, 5, 6, 7, 8, 9, 10P \_\_\_\_\_

2P	3P	4P	5P	6P
7P	8P	9P	10P	

TYPE Ordering





**connectors industrial circular Series**

**KLS15-225-M16 Connectors Industrial Circular Series**

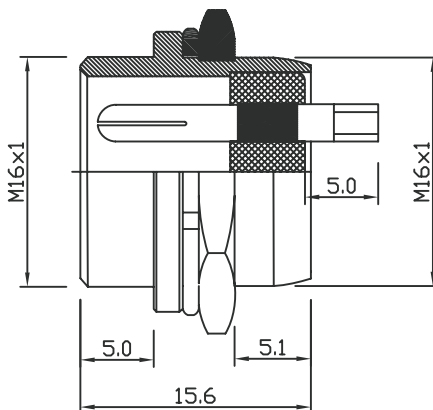
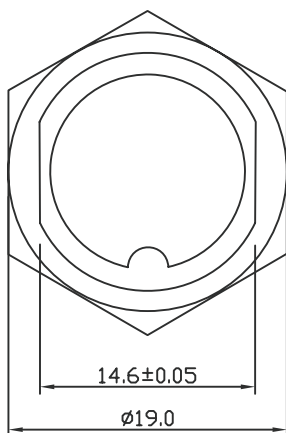
Safety approval : UL Water proof IP≥55  
 Subminiature aviation linkers are widely used for the Hi-Tech trade. The appearances of the products has two kinds, plug-type and thread type. Used in the installation of the panel, small, exquisite and sensitive. It's nickel-plated and easy to plug-in.

**Electrical Characteristics:**

- Rated current: 2~4P: 7A
- 5P: 5A
- 6~10P: 4A
- Rated Voltage: 125V
- Operation Voltage: 200 VAC
- Withstanding Voltage :1500 VAC
- Insulation resistance :2000MΩ DC 500V
- Contact resistance: 10 mΩ DC1A
- Solder cup mouth diameter: 2~4P: 1.6 mm
- 5P: 1.2 mm
- 6~10P: 0.9 mm
- Solder diameter: 2~4P: 2.45mm
- 5P: 2 mm
- 6~10P: 1.15mm



Socket IP55



**ORDER INFORMATION**

Product No.: **KLS15-225-M16-2 M1**

Pos. No. \_\_\_\_\_  
 Dental regulations: M16 \_\_\_\_\_  
 Number of Contacts: 2, 3, 4, 5, 6, 7, 8, 9, 10P \_\_\_\_\_

2P	3P	4P	5P	6P
7P	8P	9P	10P	

TYPE Ordering





**connectors industrial circular Series**

**KLS15-225-M16 Connectors Industrial Circular Series**

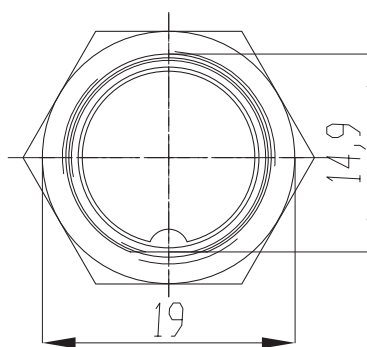
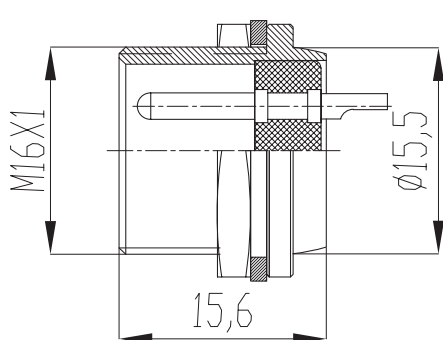
Safety approval : UL Water proof IP $\geq$ 55  
 Subminiature aviation linkers are widely used for the Hi-Tech trade. The appearances of the products has two kinds, plug-type and thread type. Used in the installation of the panel, small, exquisite and sensitive. It's nickel-plated and easy to plug-in.

**Electrical Characteristics:**

- Rated current: 2~4P: 7A
- 5P: 5A
- 6~10P: 4A
- Rated Voltage: 125V
- Operation Voltage: 200 VAC
- Withstanding Voltage :1500 VAC
- Insulation resistance :2000M $\Omega$  DC 500V
- Contact resistance: 10 m $\Omega$  DC1A
- Solder cup mouth diameter: 2~4P: 1.6 mm
- 5P: 1.2 mm
- 6~10P: 0.9 mm
- Solder diameter: 2~4P: 2.45mm
- 5P: 2 mm
- 6~10P: 1.15mm



Single milling face male socket IP55



**ORDER INFORMATION**

Product No.: KLS15-225-M16-2 M2

Pos. No. \_\_\_\_\_  
 Dental regulations: M16 \_\_\_\_\_  
 Number of Contacts: 2, 3, 4, 5, 6, 7, 8, 9, 10P \_\_\_\_\_

2P	3P	4P	5P	6P
7P	8P	9P	10P	

TYPE Ordering





## connectors industrial circular Series

### KLS15-225-M16 Connectors Industrial Circular Series

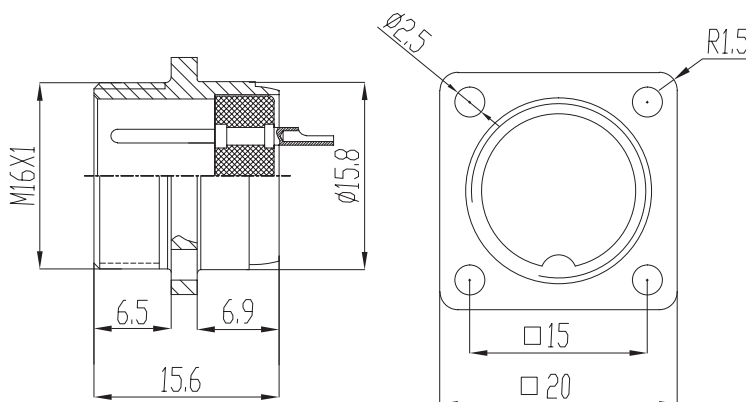
Safety approval: UL Water proof IP $\geq$ 55  
Subminiature aviation linkers are widely used for the Hi-Tech trade. The appearances of the products has two kinds, plug-type and thread type. Used in the installation of the panel, small, exquisite and sensitive. It's nickel-plated and easy to plug-in.

**Electrical Characteristics:**

- Rated current: 2-4P: 7A
- 5P: 5A
- 6-10P: 4A
- Rated Voltage: 125V
- Operation Voltage: 200 VAC
- Withstanding Voltage :1500 VAC
- Insulation resistance :2000M $\Omega$  DC 500V
- Contact resistance: 10 m $\Omega$  DC1A
- Solder cup mouth diameter: 2~4P: 1.6 mm
- 5P: 1.2 mm
- 6~10P: 0.9 mm
- Solder diameter: 2-4P: 2.45 mm
- 5P: 2 mm
- 6-10P: 1.15 mm



Square flange socket IP55



## ORDER INFORMATION

Product No.: KLS15-225-M16-2 M3

Pos. No. \_\_\_\_\_  
Dental regulations: M16 \_\_\_\_\_  
Number of Contacts: 2, 3, 4, 5, 6, 7, 8, 9, 10P \_\_\_\_\_

2P	3P	4P	5P	6P
7P	8P	9P	10P	

TYPE Ordering





**connectors industrial circular Series**

**KLS15-225-M16 Connectors Industrial Circular Series**

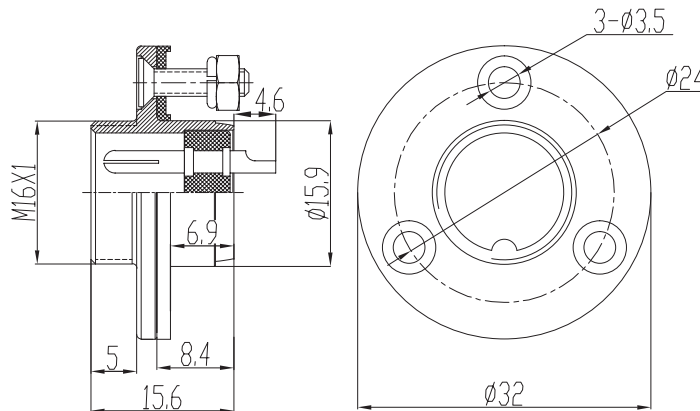
Safety approval : UL Water proof IP $\geq$ 55  
Subminiature aviation linkers are widely used for the Hi-Tech trade. The appearances of the products has two kinds, plug-type and thread type. Used in the installation of the panel, small, exquisite and sensitive. It's nickel-plated and easy to plug-in.

**Electrical Characteristics:**

- Rated current: 2~4P: 7A
- 5P: 5A
- 6~10P: 4A
- Rated Voltage: 125V
- Operation Voltage: 200 VAC
- Withstanding Voltage : 1500 VAC
- Insulation resistance : 2000M $\Omega$  DC 500V
- Contact resistance: 10 m $\Omega$  DC1A
- Solder cup mouth diameter: 2~4P: 1.6 mm
- 5P: 1.2 mm
- 6~10P: 0.9 mm
- Solder diameter: 2~4P: 2.45mm
- 5P: 2 mm
- 6~10P: 1.15mm



Three eye flange socket IP55



**ORDER INFORMATION**

Product No.: KLS15-225-M16-2 M4

Pos. No. \_\_\_\_\_  
Dental regulations: M16 \_\_\_\_\_  
Number of Contacts: 2, 3, 4, 5, 6, 7, 8, 9, 10P \_\_\_\_\_

2P	3P	4P	5P	6P
7P	8P	9P	10P	

TYPE Ordering

