

Tact Switch Series

KLS7-TS6601 6x6 Tact Switch Series

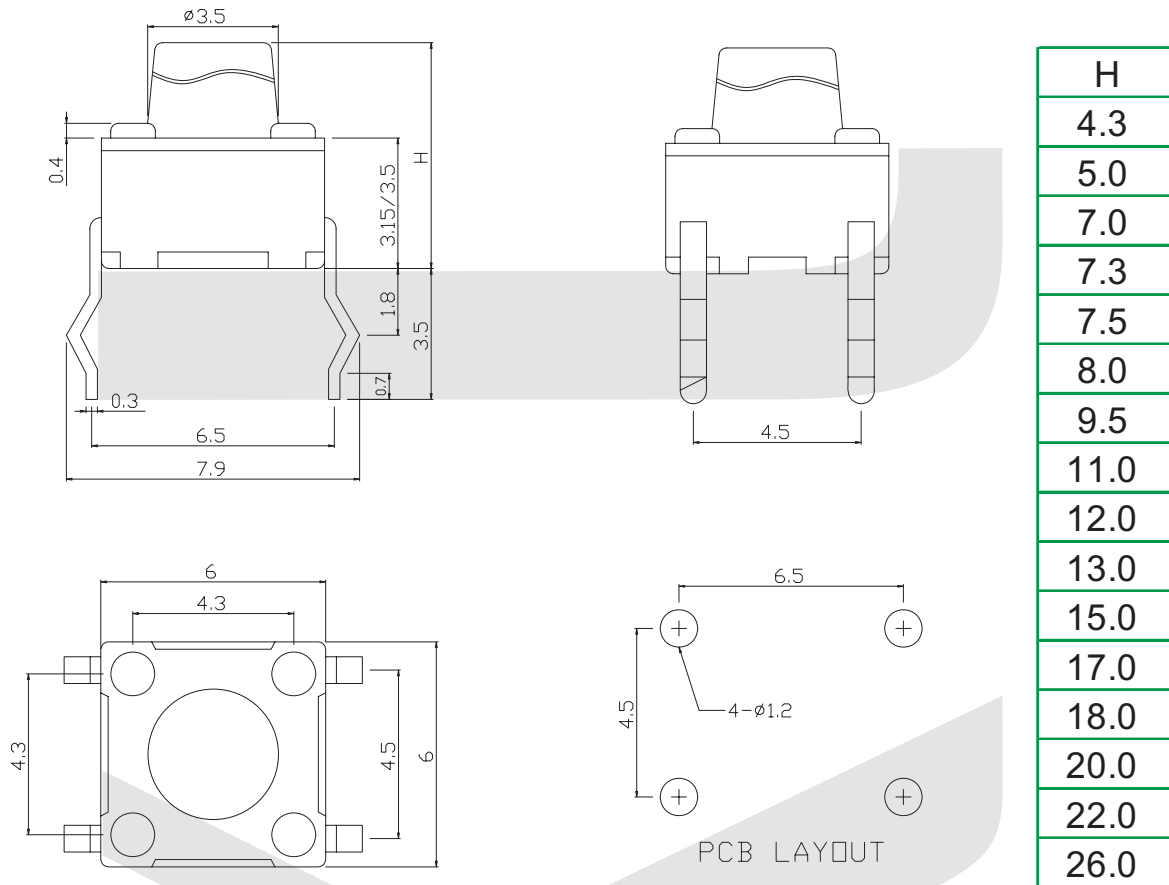
ELECTRICAL

1. Rating: 50mA 12VDC
2. Contact Resistance : 50mΩ max(initial)
3. Insulation Resistance: 100MΩ(minDC 250V)
4. Dielectric Strength : AC250V(50/60Hz for 1minute)
5. Electrically Life: 100000cycles
6. Environment temperature: -20°C~+70°C
7. Operating Force: 180/250(±30gf)
8. Seal temperature: 260°C~ 280°C



VII

Dimension (unit: mm)



ORDER INFORMATION

KLS7-TS6601 - 4.3 - 180

Series No. | Operating Force : 180~250gf
 Hight: 4.3mm/5.0mm/7.0mm/7.3mm/
 7.5mm/8.0mm/9.5mm/11.0mm/
 12.0mm/13.0mm/15.0mm/17.0mm/
 18.0mm/20mm/22mm/26mm