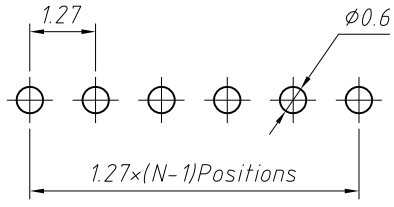
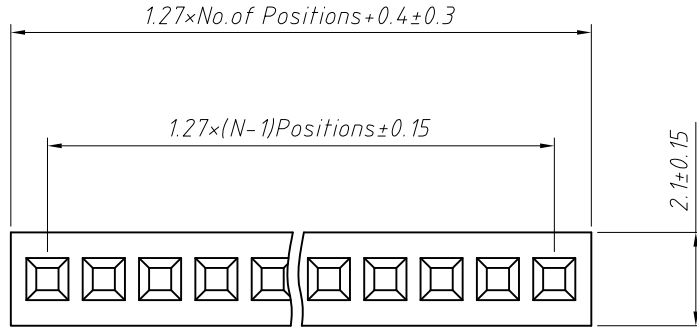


1  
RoHS Compliance

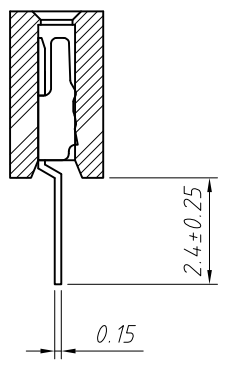
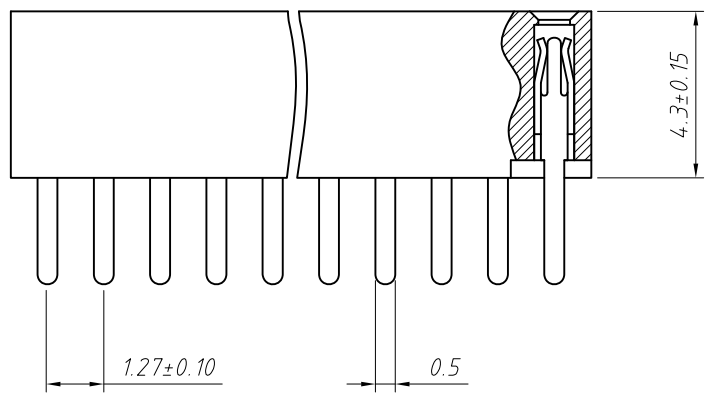


Recommended P.C.B Layout (Top Side)  
(PCB BOARD TOLERANCE ± 0.05)

**Material:**  
Standard: PA6T/LCP  
Contact: Phosphor Bronze  
Plating: Au or Sn Over Ni  
Insulator: Polyester, UL94V-0

**Electrical Characteristics:**  
Rated Current: 1.0AMP  
Contact Resistance: 20mΩ Max  
Withstand Voltage: 500V AC/DC  
Insulator Resistance: 1000MΩ Min

**Mechanical**  
Operating Temperature: -40°C ~ +105°C  
Max. Processing Temp: 230°C for 30-60 seconds (260°C for 10 seconds)



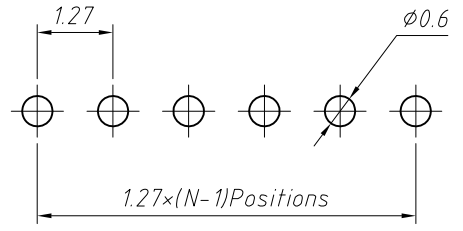
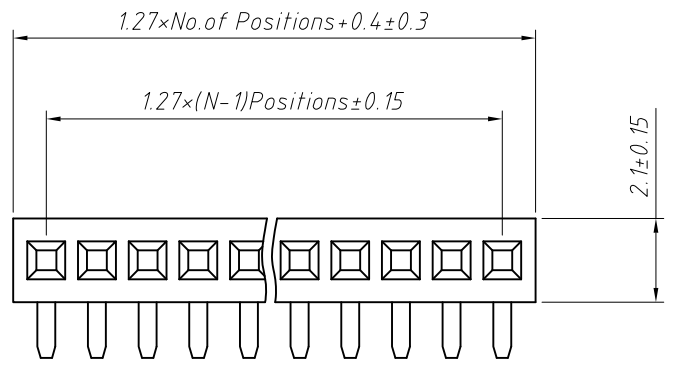
**Order Information:**  
L-KLS1-208C-4.3-1-XX-S-B

- L: RoHS
- Female Header
- Series 208C: 1.27mm
- Plastics Height: 4.3mm
- Per Row: Single layer
- Pin: No. of Pins (1x40)
- Type: Straight Pin
- Material: B=PA6T C=LCP

ANGLE TOLERANCE	PROJECTION	Description:	1.27x4.3mm Female Header Single layer, Straight Pin, 1xN Pin
±3°			
GENERAL TOLERANCE	UNITS	mm	KLS P/N: L-KLS1-208C-4.3-1-XX-S-B
x.x ±0.30	SHEET SIZE	A4	
x.xx ±0.20	Draw:	Daniel	2018-07-10
x.xxx ±0.10	Check:	Daniel	2018-07-10



1  
RoHS Compliance

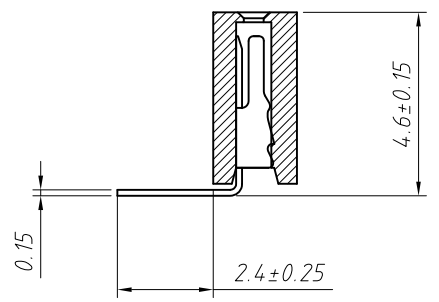
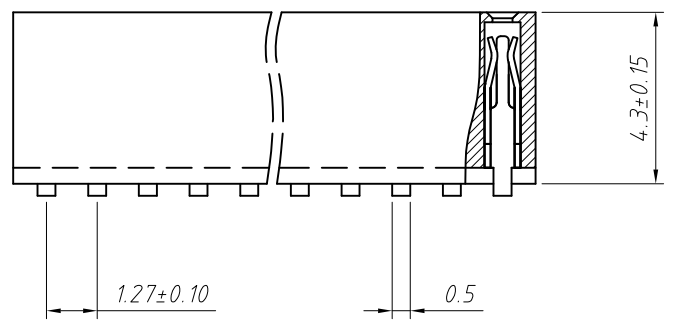


Recommended P.C.B Layout (Top Side)  
(PCB BOARD TOLERANCE ±0.05)

**Material:**  
Standard: PA6T/LCP  
Contact: Phosphor Bronze  
Plating: Au or Sn Over Ni  
Insulator: Polyester, UL94V-0

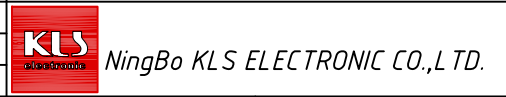
**Electrical Characteristics:**  
Rated Current: 1.0AMP  
Contact Resistance: 20mΩ Max  
Withstand Voltage: 500V AC/DC  
Insulator Resistance: 1000MΩ Min

**Mechanical**  
Operating Temperature: -40°C ~ +105°C  
Max. Processing Temp: 230°C for 30-60 seconds (260°C for 10 seconds)

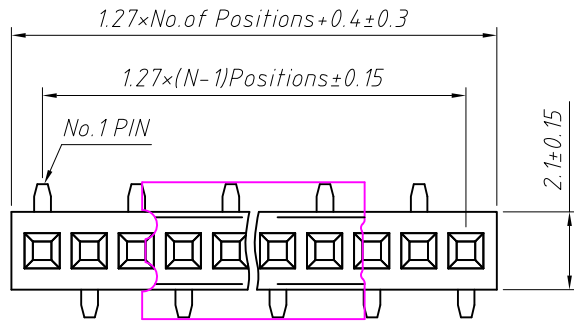


**Order Information:**  
L-KLS1-208C-4.3-1-XX-R-B

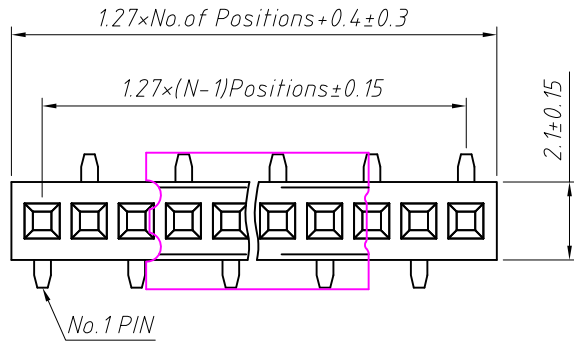
ANGLE TOLERANCE	PROJECTION	Description:	1.27x4.3mm Female Header
±3°			Single layer, Right Angle Pin, 1xN Pin
GENERAL TOLERANCE	UNITS	mm	KLS P/N:
x.x ±0.30	SHEET SIZE	A4	L-KLS1-208C-4.3-1-XX-R-B
x.xx ±0.20	Draw:	Daniel	2018-07-10
x.xxx ±0.10	Check:	Daniel	2018-07-10



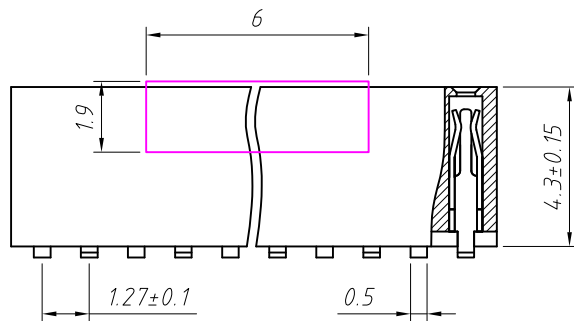
RoHS Compliance



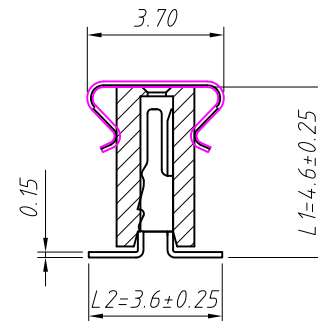
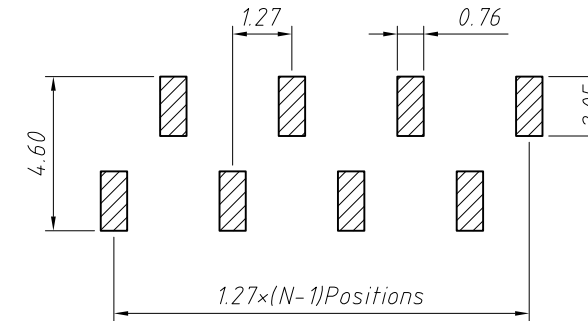
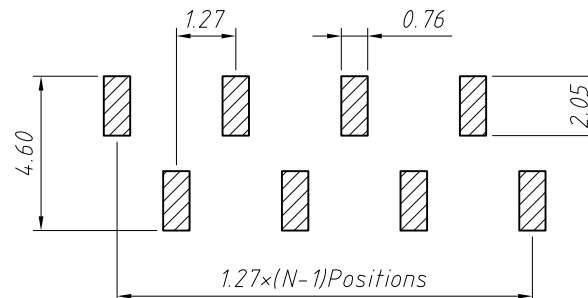
T1 Type



T2 Type



Recommended P.C.B Layout (Top Side)  
(PCB BOARD TOLERANCE±0.05)



Material:  
Standard:PA6T/LCP  
Contact:Phosphor Bronze  
Contact plating:Au or Sn over Ni  
Nickel Insulator:Polyester,UL94V-0

Electrical Characteristics:  
Rated Current: 1.0AMP  
Contact Resistance: 20mΩ Max  
Withstand Voltage: 500V AC/DC  
Insulator Resistance: 1000MΩ Min

Mechanical  
Operating Temperature: -40°C ~ +105°C  
Max.Processing Temp:230°C for 30-60 seconds (260°C for 10 seconds)

Order Information:

L-KLS1-208C-3.4-1-XX-T1-L1xL2-N-B-R

L: RoHS  
Pin Header Series-  
208C:1.27mm  
Plastics Height:4.3mm  
Per Row:Single layer  
Pin: No. of Pins (1x40)  
SMT Pin:T1 Type,T2 Type  
Size:L1xL2  
Post:W=With Post N=W/O Post  
Material:B=PA6T C=LCP  
Packing:  
A=Tray T=Tube M=Reel+Mylar  
P=Tube+Cap R=Reel+Cap

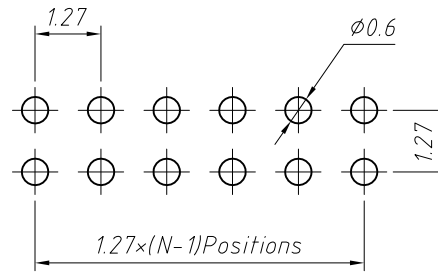
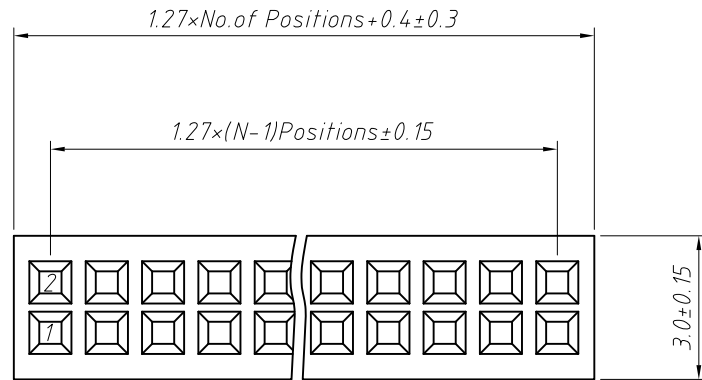
Dimension antitheses list (mm)			
ITEM	L1	L2	Plastic Height
Standard	4.60	3.60	4.30
Nonstandard	---	---	---

ANGLE TOLERANCE	PROJECTION	Description:
±3°		1.27mm Female Header Single layer,SMT Pin,1xN Pin
GENERAL TOLERANCE	UNITS	mm
x.x ±0.30	SHEET SIZE	A4
x.xx ±0.20	Draw:	Daniel 2018-07-10
x.xxx ±0.10	Check:	Daniel 2018-07-10

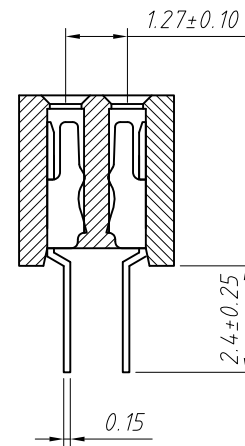
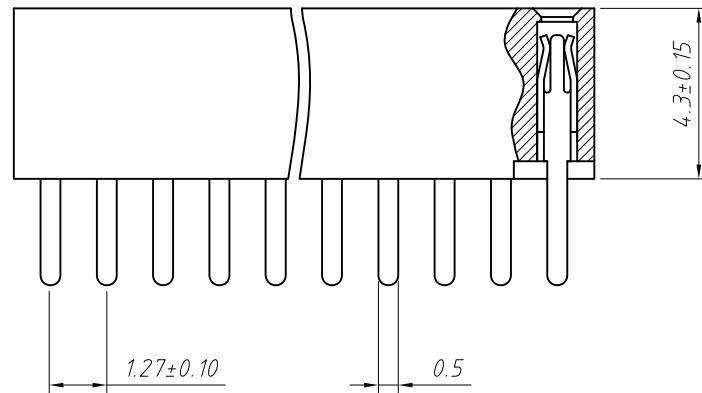


NingBo KLS ELECTRONIC CO.,L.TD.

1  
RoHS Compliance



Recommended P.C.B Layout (Top Side)  
(PCB BOARD TOLERANCE ± 0.05)



Material:  
Standard: PA6T/LCP  
Contact: Phosphor Bronze  
Plating: Au or Sn Over Ni  
Insulator: Polyester, UL 94V-0

Electrical Characteristics:  
Rated Current: 1.0AMP  
Contact Resistance: 20mΩ Max  
Withstand Voltage: 500V AC/DC  
Insulator Resistance: 1000MΩ Min

Mechanical  
Operating Temperature: -40°C ~ +105°C  
Max. Processing Temp: 230°C for 30-60 seconds (260°C for 10 seconds)

Order Information:  
L-KLS1-208C-4.3-2-XX-S-B

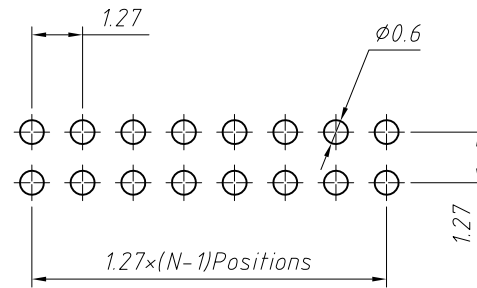
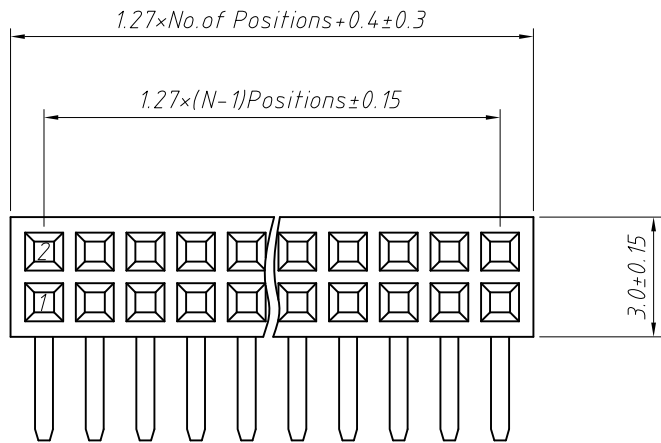
- L: RoHS
- Female Header
- Series 208C: 1.27mm
- Plastics Height: 4.3mm
- Per Row: Double layer
- Pin: No. of Pins (2x40)
- Type: Straight Pin
- Material: B=PA6T C=LCP

ANGLE TOLERANCE	PROJECTION	Description:	1.27x4.3mm Female Header Double layer, Straight Pin, 2xN Pin
±3°			
GENERAL TOLERANCE	UNITS	mm	KLS P/N:
x.x ±0.30	SHEET SIZE	A4	L-KLS1-208C-4.3-2-XX-S-B
x.xx ±0.20	Draw:	Daniel	2018-07-10
x.xxx ±0.10	Check:	Daniel	2018-07-10



NingBo KLS ELECTRONIC CO.,LTD.

1 RoHS Compliance

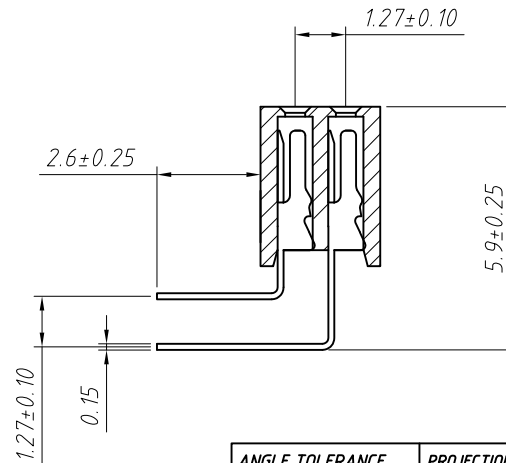
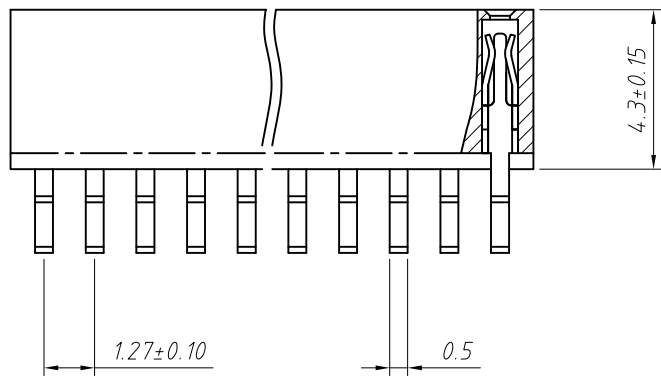


Recommended P.C.B Layout (Top Side)  
(PCB BOARD TOLERANCE ±0.05)

**Material:**  
Standard: PA6T/LCP  
Contact: Phosphor Bronze  
Plating: Au or Sn Over Ni  
Insulator: Polyester, UL94V-0

**Electrical Characteristics:**  
Rated Current: 1.0AMP  
Contact Resistance: 20mΩ Max  
Withstand Voltage: 500V AC/DC  
Insulator Resistance: 1000MΩ Min

**Mechanical**  
Operating Temperature: -40°C ~ +105°C  
Max. Processing Temp: 230°C for 30-60 seconds (260°C for 10 seconds)



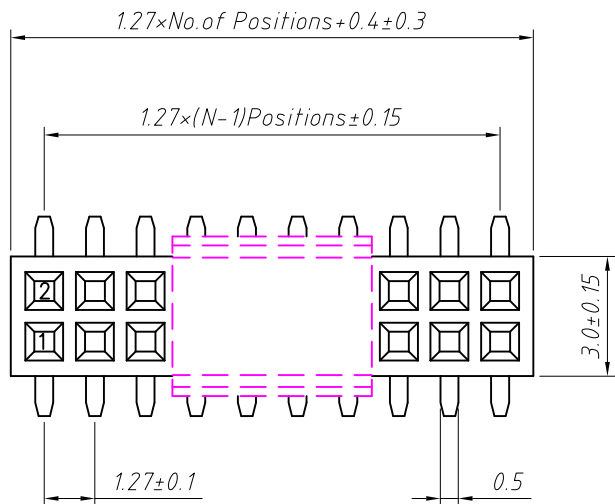
**Order Information:**  
L-KLS1-208C-4.3-2-XX-R-B  
L: RoHS  
Female Header  
Series 208C: 1.27mm  
Plastics Height: 4.3mm  
Per Row: Double layer  
Pin: No. of Pins (2x40)  
Type: Right Angle Pin  
Material: B=PA6T C=LCP

ANGLE TOLERANCE	PROJECTION	Description:	1.27x4.3mm Female Header Double layer, Right Angle Pin, 2xN Pin
±3°			
GENERAL TOLERANCE	UNITS	mm	KLS P/N:
x.x ±0.30	SHEET SIZE	A4	L-KLS1-208C-4.3-2-XX-R-B
x.xx ±0.20	Draw:	Daniel	2018-07-10
x.xxx ±0.10	Check:	Daniel	2018-07-10

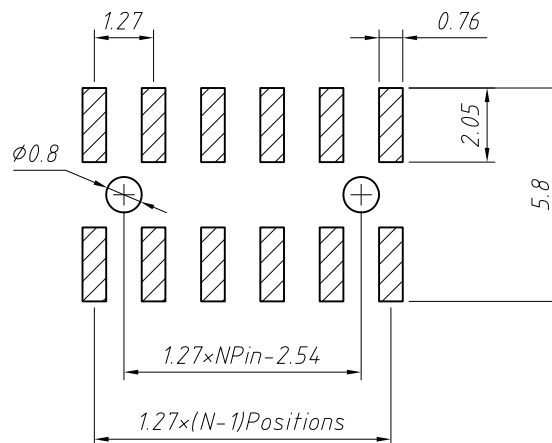


NingBo KLS ELECTRONIC CO., L TD.

1 RoHS Compliance



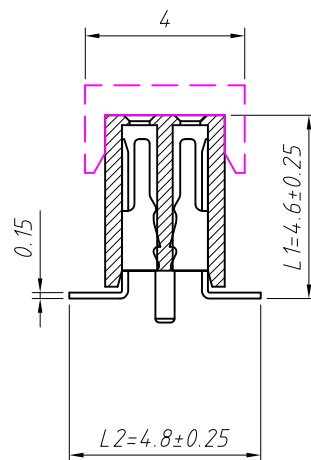
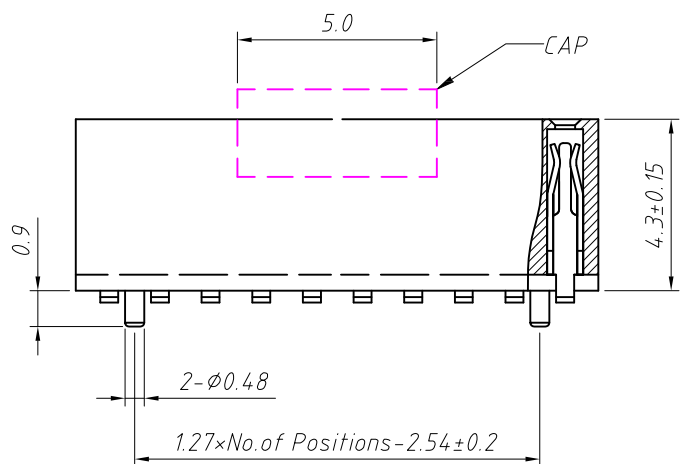
Recommended P.C.B Layout (Top Side)  
(PCB BOARD TOLERANCE±0.05)



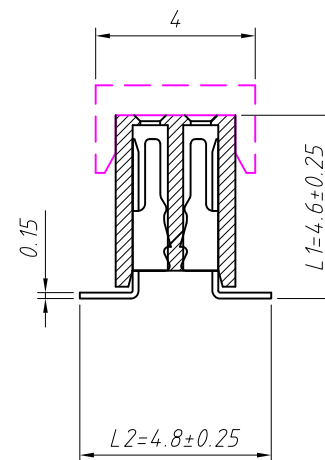
**Material:**  
Standard:PA6T/LCP  
Contact:Phosphor Bronze  
Contact plating:Au or Sn over Ni  
NickelInsulator:Polyester,UL94V-0

**Electrical Characteristics:**  
Rated Current: 1.0AMP  
Contact Resistance: 20mΩ Max  
Withstand Voltage: 500V AC/DC  
Insulator Resistance: 1000MΩ Min

**Mechanical**  
Operating Temperature: -40°C ~ +105°C  
Max.Processing Temp:230°C for 30-60 seconds (260°C for 10 seconds)



T3=With Post



T=Without Post

**Order Information:**

L-KLS1-208C-4.3-2-XX-T-L1xL2-B-R

L: RoHS  
Pin Header Series  
208C:1.27mm  
Plastics Height:4.3mm  
Per Row:Double layer  
Pin: No. of Pins (2x40)  
SMT:T=Without Post,T3=With Post  
Size:L1xL2  
Material:B=PA6T C=LCP  
Packing:  
A=Tray T=Tube M=Reel+Mylar  
P=Tube+Cap R=Reel+Cap

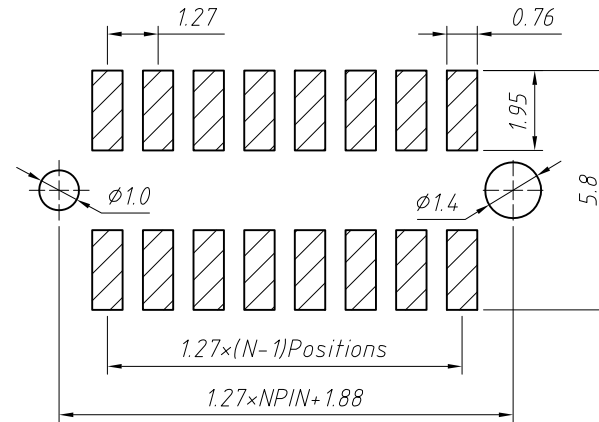
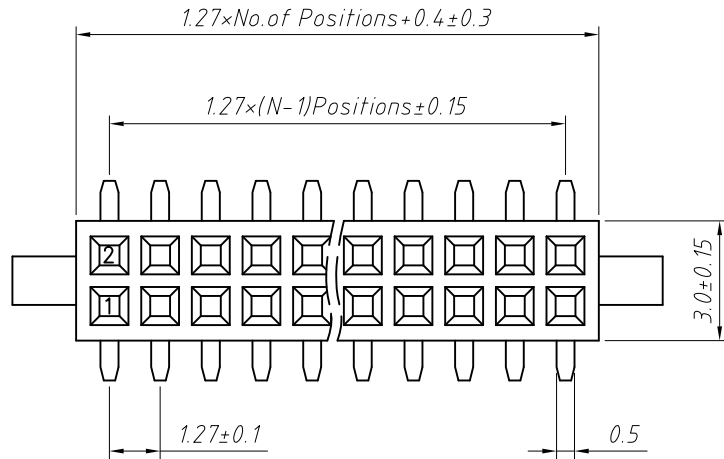
Dimension antitheses list (mm)			
ITEM	L1	L2	Plastic Height
Standard	4.60	4.80	4.30
Nonstandard	---	---	---

ANGLE TOLERANCE	PROJECTION	Description:
±3°		1.27mm Female Header Double layer ,SMT Pin,2xN Pin
GENERAL TOLERANCE	UNITS	mm
x.x ±0.30	SHEET SIZE	A4
x.xx ±0.20	Draw:	Daniel 2018-07-10
x.xxx ±0.10	Check:	Daniel 2018-07-10



NingBo KLS ELECTRONIC CO.,L TD.

1 RoHS Compliance

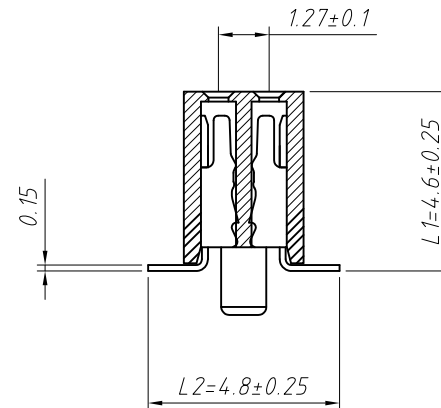
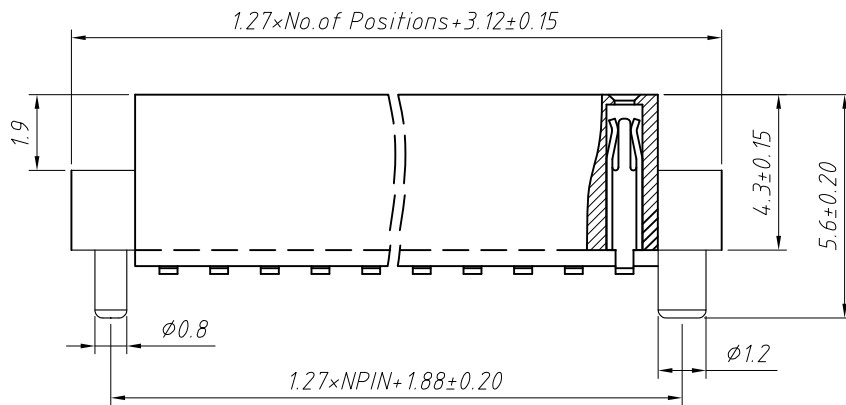


Recommended P.C.B Layout (Top Side)  
(PCB BOARD TOLERANCE ±0.05)

**Material:**  
Standard: PA6T/LCP  
Contact: Phosphor Bronze  
Contact plating: Au or Sn over Ni  
Nickel Insulator: Polyester, UL 94 V-0

**Electrical Characteristics:**  
Rated Current: 1.0AMP  
Contact Resistance: 20mΩ Max  
Withstand Voltage: 500V AC/DC  
Insulator Resistance: 1000MΩ Min

**Mechanical**  
Operating Temperature: -40°C ~ +105°C  
Max. Processing Temp: 230°C for 30-60 seconds (260°C for 10 seconds)



**Order Information:**

L-KLS1-208C-4.3-2-XX-T4-L1xL2-B-R

L: RoHS  
Pin Header Series-  
208C: 1.27mm  
Plastics Height: 4.3mm  
Per Row: Double layer  
Pin: No. of Pins (2x40)  
SMT PIN: T4 Type  
Size: L1xL2  
Material: B=PA6T C=LCP  
Packing:  
A=Tray T=Tube M=Reel+Mylar  
P=Tube+Cap R=Reel+Cap

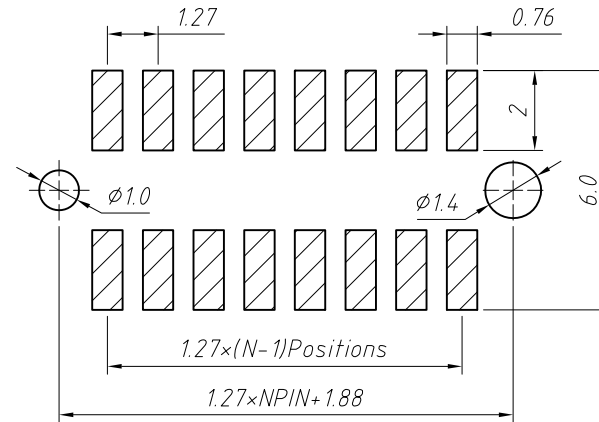
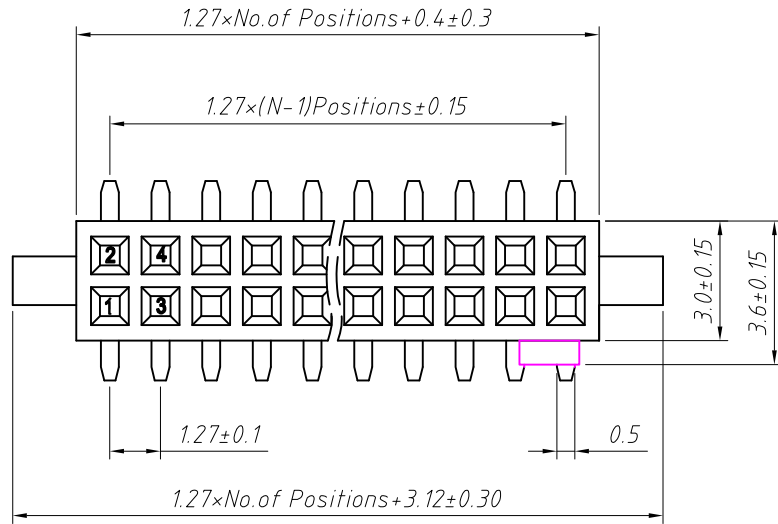
Dimension antitheses list (mm)			
ITEM	L1	L2	Plastic Height
Standard	4.60	4.80	4.30
Nonstandard	---	---	---

ANGLE TOLERANCE	PROJECTION	Description:
±3°		1.27mm Female Header Double layer, SMT Pin, 2xN Pin
GENERAL TOLERANCE	UNITS	mm
x.x ±0.30	SHEET SIZE	A4
x.xx ±0.20	Draw:	Daniel 2018-07-10
x.xxx ±0.10	Check:	Daniel 2018-07-10



NingBo KLS ELECTRONIC CO., L TD.

RoHS Compliance

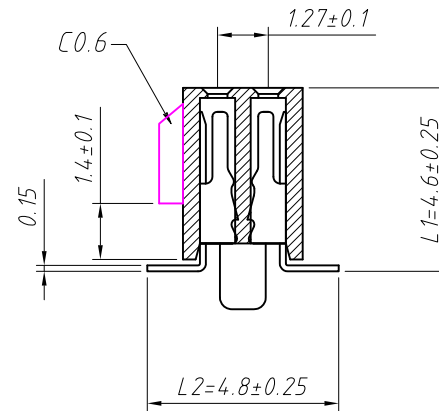
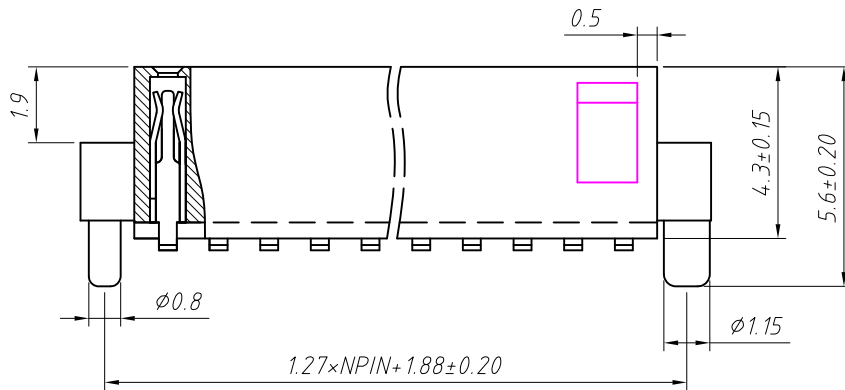


Recommended P.C.B Layout (Top Side)  
(PCB BOARD TOLERANCE  $\pm 0.05$ )

**Material:**  
 Standard: PA6T/LCP  
 Contact: Phosphor Bronze  
 Contact plating: Au or Sn over Ni  
 Nickel Insulator: Polyester, UL 94 V-0

**Electrical Characteristics:**  
 Rated Current: 1.0AMP  
 Contact Resistance:  $20m\Omega$  Max  
 Withstand Voltage: 500V AC/DC  
 Insulator Resistance:  $1000M\Omega$  Min

**Mechanical**  
 Operating Temperature:  $-40^\circ\text{C} \sim +105^\circ\text{C}$   
 Max. Processing Temp:  $230^\circ\text{C}$  for 30-60 seconds ( $260^\circ\text{C}$  for 10 seconds)



**Order Information:**

L-KLS1-208C-4.3-2-XX-T5-L1xL2-B-R

L: RoHS  
 Pin Header Series-  
 208C: 1.27mm  
 Plastics Height: 4.3mm  
 Per Row: Double layer  
 Pin: No. of Pins (2x40)  
 SMT PIN: T5 Type  
 Size: L1xL2  
 Material: B=PA6T C=LCP  
 Packing:  
 A=Tray T=Tube M=Reel+Mylar  
 P=Tube+Cap R=Reel+Cap

Dimension antitheses list (mm)			
ITEM	L1	L2	Plastic Height
Standard	4.60	4.80	4.30
Nonstandard	---	---	---

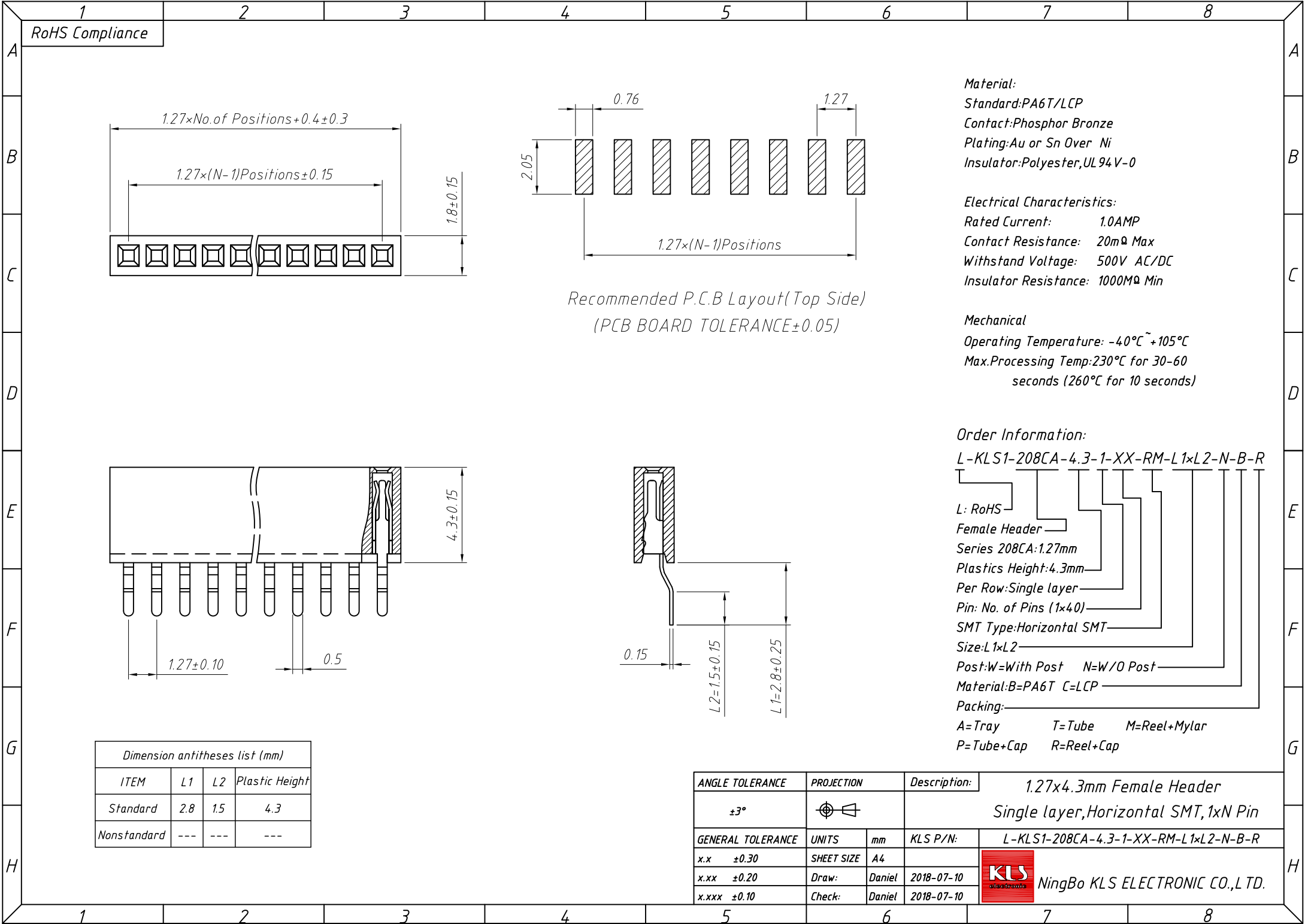
ANGLE TOLERANCE	PROJECTION	Description:
$\pm 3^\circ$		1.27mm Female Header Double layer, SMT Pin, 2xN Pin
GENERAL TOLERANCE	UNITS	mm
x.x $\pm 0.30$	SHEET SIZE	A4
x.xx $\pm 0.20$	Draw:	Daniel 2018-07-10
x.xxx $\pm 0.10$	Check:	Daniel 2018-07-10



NingBo KLS ELECTRONIC CO.,L TD.



1  
RoHS Compliance



Recommended P.C.B Layout (Top Side)  
(PCB BOARD TOLERANCE  $\pm 0.05$ )

**Material:**  
Standard: PA6T/LCP  
Contact: Phosphor Bronze  
Plating: Au or Sn Over Ni  
Insulator: Polyester, UL94V-0

**Electrical Characteristics:**  
Rated Current: 1.0AMP  
Contact Resistance: 20m $\Omega$  Max  
Withstand Voltage: 500V AC/DC  
Insulator Resistance: 1000M $\Omega$  Min

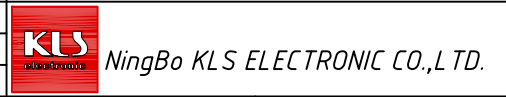
**Mechanical**  
Operating Temperature:  $-40^{\circ}\text{C} \sim +105^{\circ}\text{C}$   
Max. Processing Temp:  $230^{\circ}\text{C}$  for 30-60 seconds ( $260^{\circ}\text{C}$  for 10 seconds)

**Order Information:**  
L-KLS1-208CA-4.3-1-XX-RM-L1xL2-N-B-R

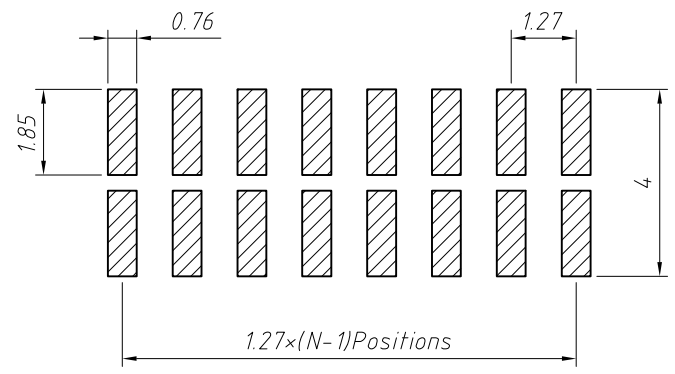
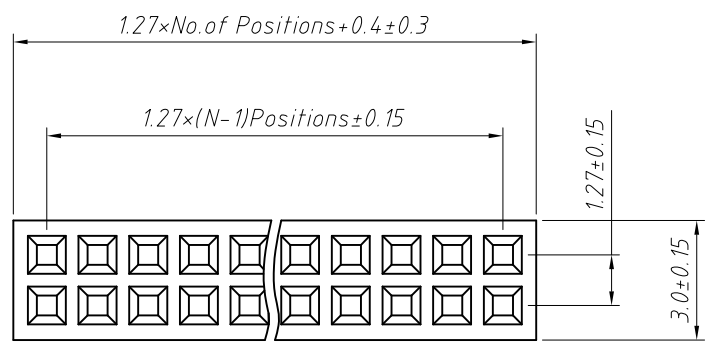
- L: RoHS
- Female Header
- Series 208CA: 1.27mm
- Plastics Height: 4.3mm
- Per Row: Single layer
- Pin: No. of Pins (1x40)
- SMT Type: Horizontal SMT
- Size: L1xL2
- Post: W=With Post N=W/O Post
- Material: B=PA6T C=LCP
- Packing:
  - A=Tray
  - T=Tube
  - M=Reel+Mylar
  - P=Tube+Cap
  - R=Reel+Cap

Dimension antitheses list (mm)			
ITEM	L1	L2	Plastic Height
Standard	2.8	1.5	4.3
Nonstandard	---	---	---

ANGLE TOLERANCE	PROJECTION	Description:	1.27x4.3mm Female Header
$\pm 3^{\circ}$			Single layer, Horizontal SMT, 1xN Pin
GENERAL TOLERANCE	UNITS	mm	KLS P/N:
x.x $\pm 0.30$	SHEET SIZE	A4	L-KLS1-208CA-4.3-1-XX-RM-L1xL2-N-B-R
x.xx $\pm 0.20$	Draw:	Daniel	2018-07-10
x.xxx $\pm 0.10$	Check:	Daniel	2018-07-10



1 RoHS Compliance

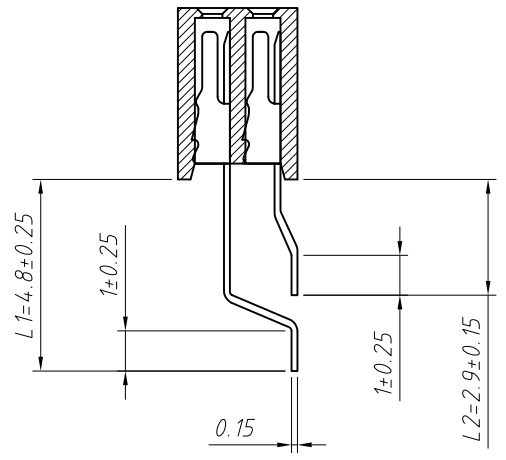
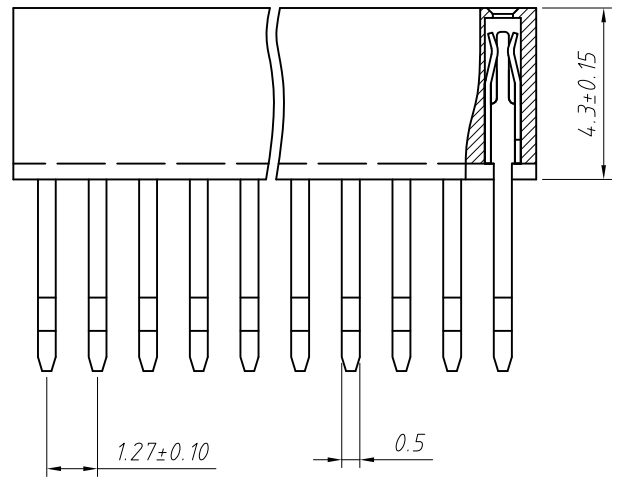


Recommended P.C.B Layout (Top Side)  
(PCB BOARD TOLERANCE ±0.05)

Material:  
Standard: PA6T/LCP  
Contact: Phosphor Bronze  
Plating: Au or Sn Over Ni  
Insulator: Polyester, UL 94V-0

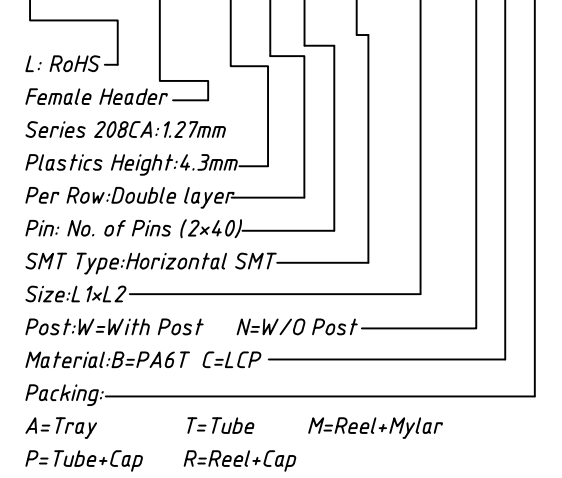
Electrical Characteristics:  
Rated Current: 1.0AMP  
Contact Resistance: 20mΩ Max  
Withstand Voltage: 500V AC/DC  
Insulator Resistance: 1000MΩ Min

Mechanical  
Operating Temperature: -40°C ~ +105°C  
Max. Processing Temp: 230°C for 30-60 seconds (260°C for 10 seconds)



Order Information:

L-KLS1-208CA-4.3-2-XX-RM-L1xL2-N-B-R



Dimension antitheses list (mm)			
ITEM	L1	L2	Plastic Height
Standard	4.8	2.9	4.3
Nonstandard	---	---	---

ANGLE TOLERANCE	PROJECTION	Description:	1.27x4.3mm Female Header Double layer, Horizontal SMT, 2xN Pin
±3°			
GENERAL TOLERANCE	UNITS	mm	KLS P/N:
x.x ±0.30	SHEET SIZE	A4	L-KLS1-208CA-4.3-2-XX-RM-L1xL2-N-B-R
x.xx ±0.20	Draw:	Daniel	2018-07-10
x.xxx ±0.10	Check:	Daniel	2018-07-10

