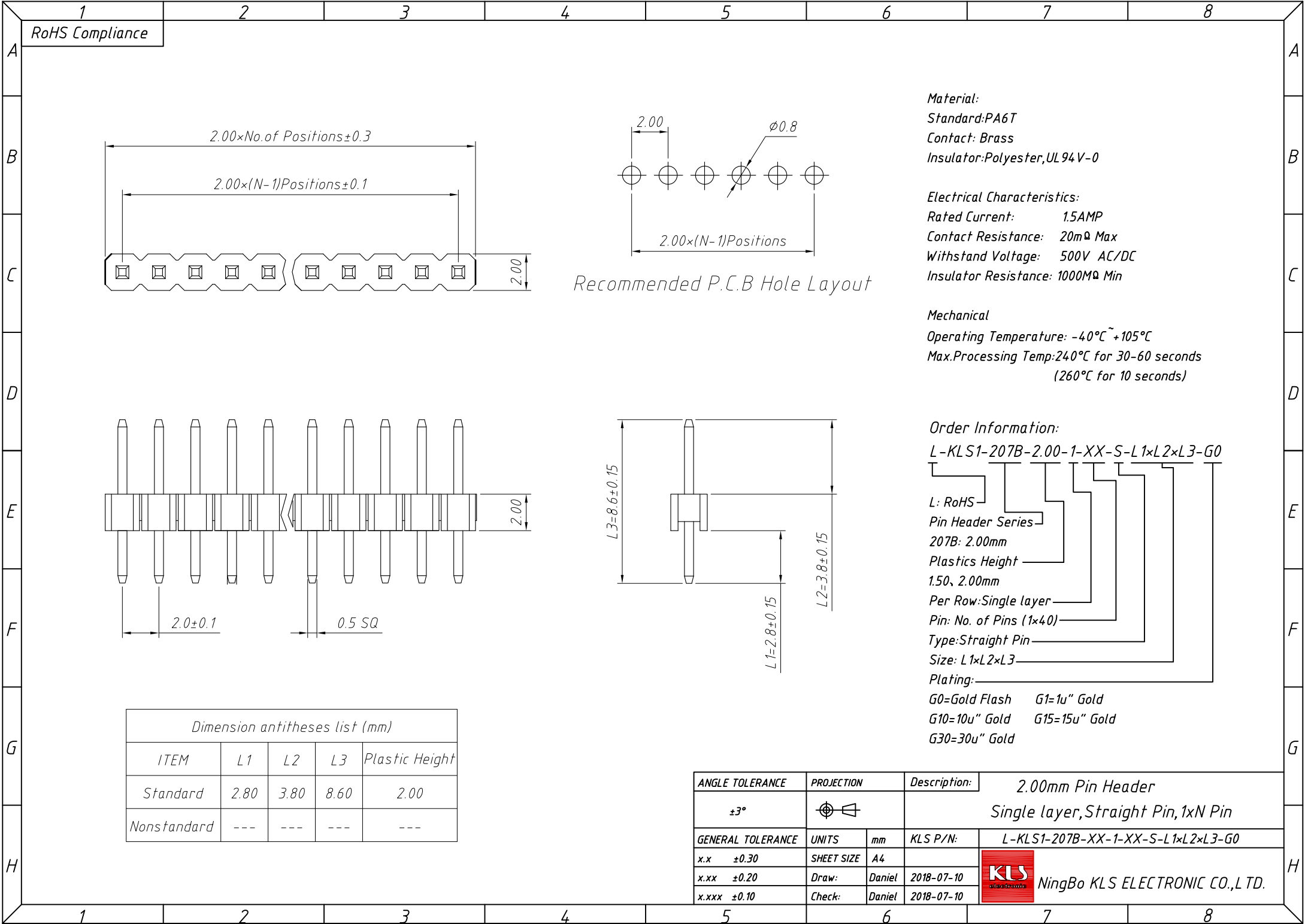


1
RoHS Compliance



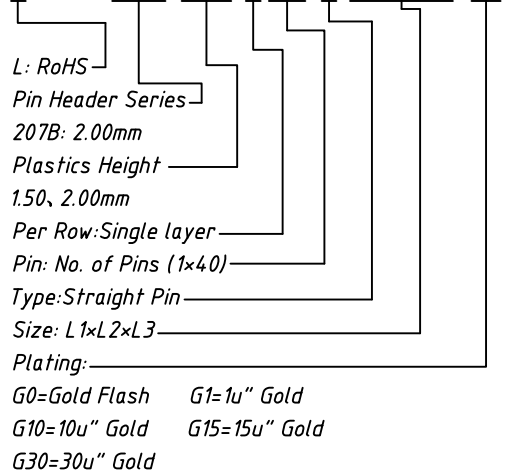
Recommended P.C.B Hole Layout

Material:
Standard: PA6T
Contact: Brass
Insulator: Polyester, UL94V-0

Electrical Characteristics:
Rated Current: 1.5AMP
Contact Resistance: 20mΩ Max
Withstand Voltage: 500V AC/DC
Insulator Resistance: 1000MΩ Min

Mechanical
Operating Temperature: $-40^{\circ}\text{C} \sim +105^{\circ}\text{C}$
Max. Processing Temp: 240°C for 30-60 seconds
(260°C for 10 seconds)

Order Information:
L-KLS1-207B-2.00-1-XX-S-L1xL2xL3-G0

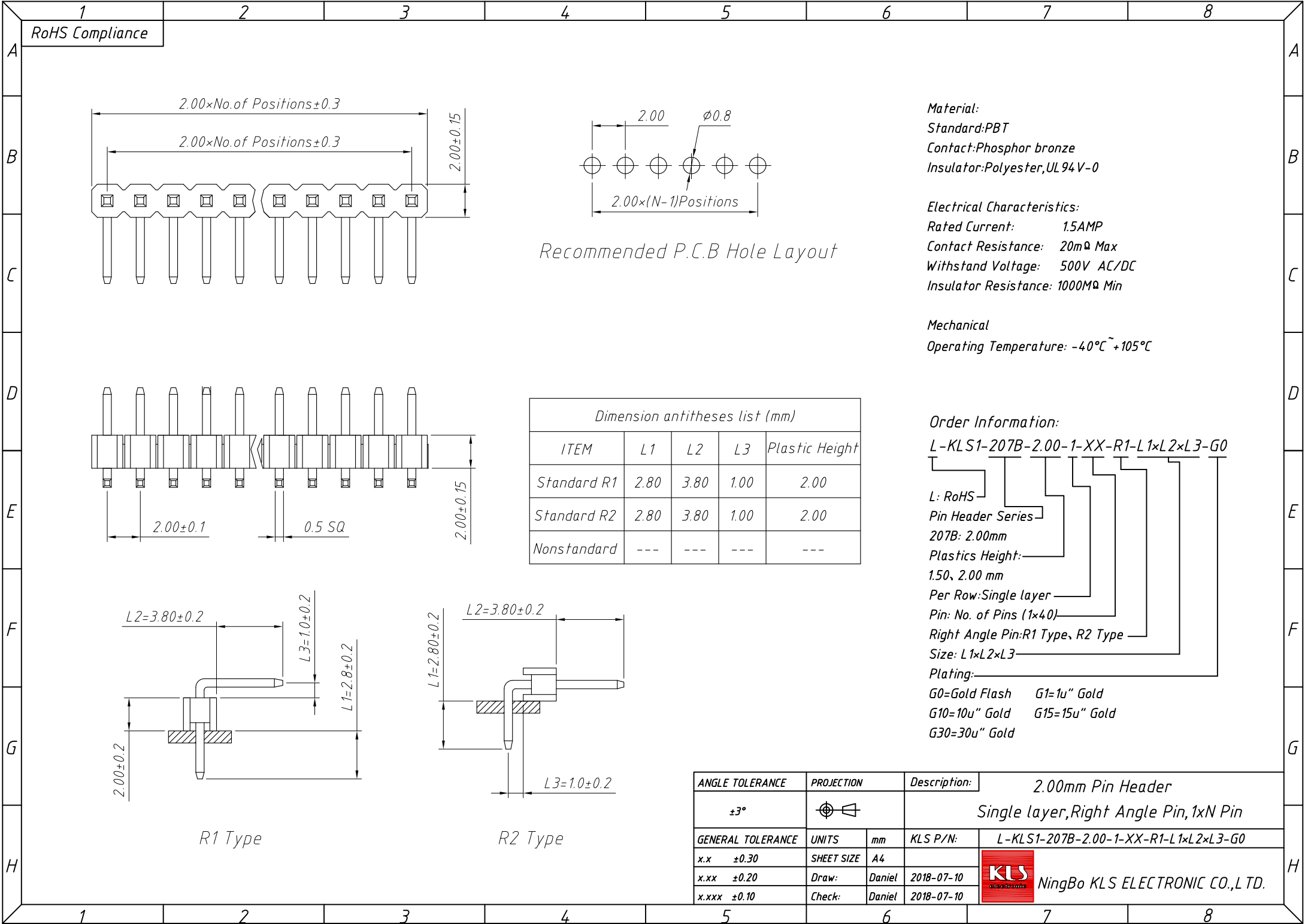


Dimension antitheses list (mm)

ITEM	L1	L2	L3	Plastic Height
Standard	2.80	3.80	8.60	2.00
Nonstandard	---	---	---	---

ANGLE TOLERANCE	PROJECTION	Description:	2.00mm Pin Header
$\pm 3^{\circ}$			Single layer, Straight Pin, 1xN Pin
GENERAL TOLERANCE	UNITS	mm	KLS P/N: L-KLS1-207B-XX-1-XX-S-L1xL2xL3-G0
x.x ± 0.30	SHEET SIZE	A4	NingBo KLS ELECTRONIC CO.,L TD.
x.xx ± 0.20	Draw:	Daniel	
x.xxx ± 0.10	Check:	Daniel	

1
RoHS Compliance



Recommended P.C.B Hole Layout

Material:
Standard:PBT
Contact:Phosphor bronze
Insulator:Polyester,UL94V-0

Electrical Characteristics:
Rated Current: 1.5AMP
Contact Resistance: 20mΩ Max
Withstand Voltage: 500V AC/DC
Insulator Resistance: 1000MΩ Min

Mechanical
Operating Temperature: -40°C ~ +105°C

Dimension antitheses list (mm)

ITEM	L1	L2	L3	Plastic Height
Standard R1	2.80	3.80	1.00	2.00
Standard R2	2.80	3.80	1.00	2.00
Nonstandard	---	---	---	---

Order Information:

L-KLS1-207B-2.00-1-XX-R1-L1xL2xL3-G0

L: RoHS

Pin Header Series

207B: 2.00mm

Plastics Height:

1.50, 2.00 mm

Per Row:Single layer

Pin. of Pins (1x40)

Right Angle Pin:R1 Type, R2 Type

Size: L1xL2xL3

Plating:

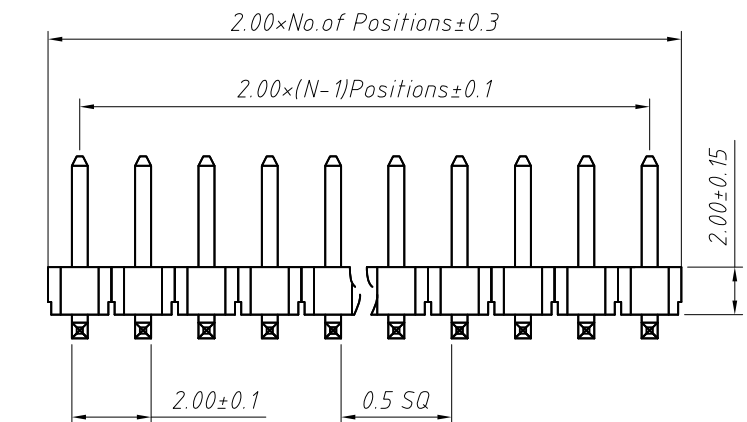
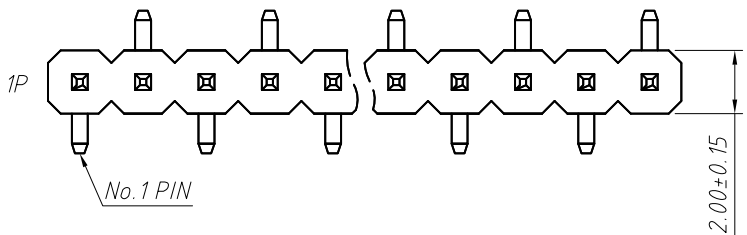
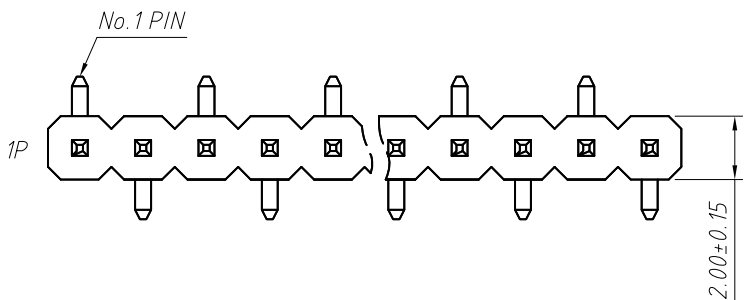
G0=Gold Flash G1=1u" Gold

G10=10u" Gold G15=15u" Gold

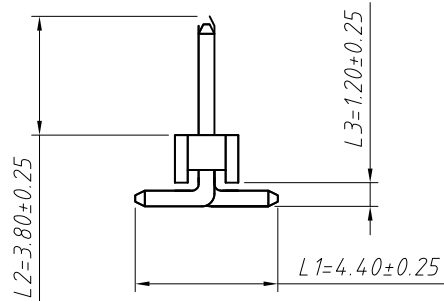
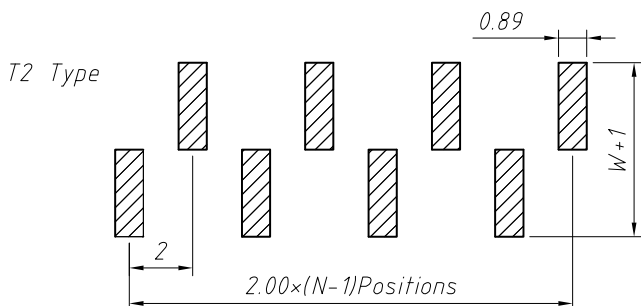
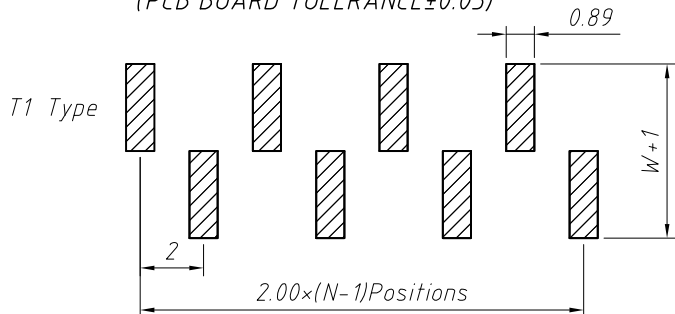
G30=30u" Gold

ANGLE TOLERANCE	PROJECTION	Description:	2.00mm Pin Header
±3°		Single layer,Right Angle Pin,1xN Pin	
GENERAL TOLERANCE	UNITS	mm	KLS P/N: L-KLS1-207B-2.00-1-XX-R1-L1xL2xL3-G0
x.x ±0.30	SHEET SIZE	A4	NingBo KLS ELECTRONIC CO.,L TD.
x.xx ±0.20	Draw:	Daniel	
x.xxx ±0.10	Check:	Daniel	

RoHS Compliance



Recommended P.C.B Layout (Top Side)
(PCB BOARD TOLERANCE ± 0.05)

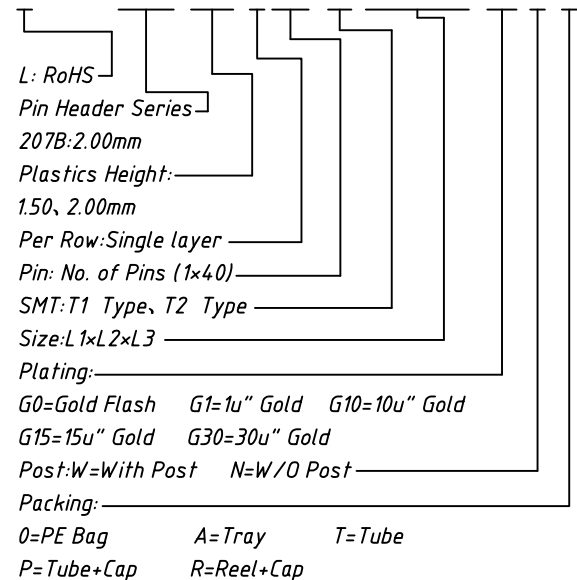


N=W/O Post

Material:
Standard: PA6T
Contact: Brass
Insulator: Polyester, UL 94V-0
Electrical Characteristics:
Rated Current: 1.5AMP
Contact Resistance: 20m Ω Max
Withstand Voltage: 500V AC/DC
Insulator Resistance: 1000M Ω Min
Mechanical
Operating Temperature: $-40^{\circ}\text{C} \sim +105^{\circ}\text{C}$
Max. Processing Temp: 230°C for 30-60 seconds
(260°C for 5 seconds)

Order Information:

L-KLS1-207B-2.00-1-XX-T1-L1xL2xL3-G0-N-R



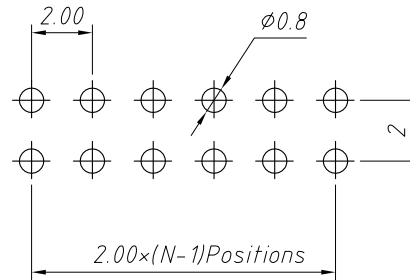
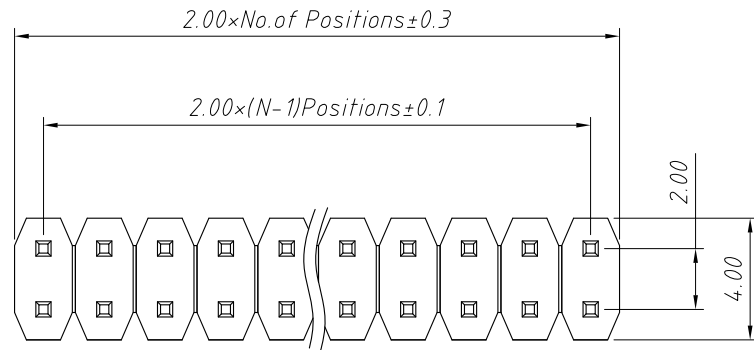
Dimension antitheses list (mm)

ITEM	L1	L2	L3	Plastic Height
Standard	4.40	3.80	1.20	2.00
Nonstandard	---	---	---	---

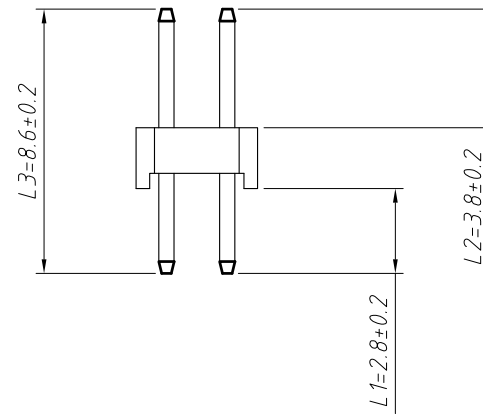
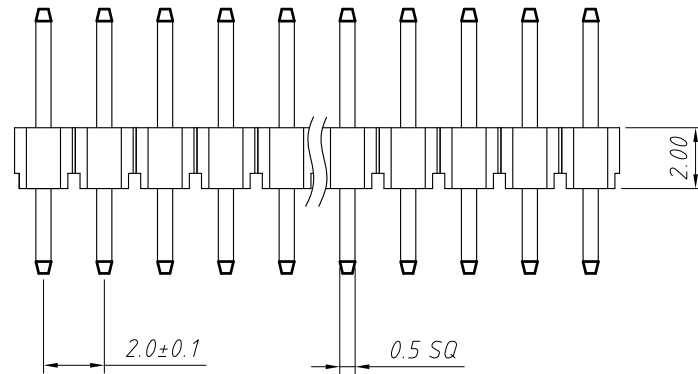
ANGLE TOLERANCE	PROJECTION	Description:	2.00mm Pin Header Single layer, SMT, 1xN Pin	
$\pm 3^{\circ}$				
GENERAL TOLERANCE	UNITS	mm	KLS P/N:	L-KLS1-207B-2.00-1-XX-T1-L1xL2xL3-G0-N-R
x.x ± 0.30	SHEET SIZE	A4		
x.xx ± 0.20	Draw:	Daniel	2018-07-10	
x.xxx ± 0.10	Check:	Daniel	2018-07-10	

NingBo KLS ELECTRONIC CO., L TD.

RoHS Compliance



Recommended P.C.B Hole Layout



Material:
Standard: PA6T
Contact: Brass
Insulator: Polyester, UL94V-0

Electrical Characteristics:
Rated Current: 1.5AMP
Contact Resistance: 20mΩ Max
Withstand Voltage: 500V AC/DC
Insulator Resistance: 1000MΩ Min

Mechanical
Operating Temperature: -40°C ~ +105°C
Max. Processing Temp: 240°C for 30-60 seconds
(260°C for 10 seconds)

Order Information:

L-KLS1-207B-2.00-2-XX-S-L1xL2xL3-G0

L: RoHS
Pin Header Series
207B: 2.00mm
Plastics Height:
1.50, 2.00 mm
Per Row: Double layer
Pin: No. of Pins (2x20)
Type: Straight Pin
Size: L1xL2xL3
Plating:
G0=Gold Flash G1=1u" Gold
G10=10u" Gold G15=15u" Gold
G30=30u" Gold

Dimension antitheses list (mm)

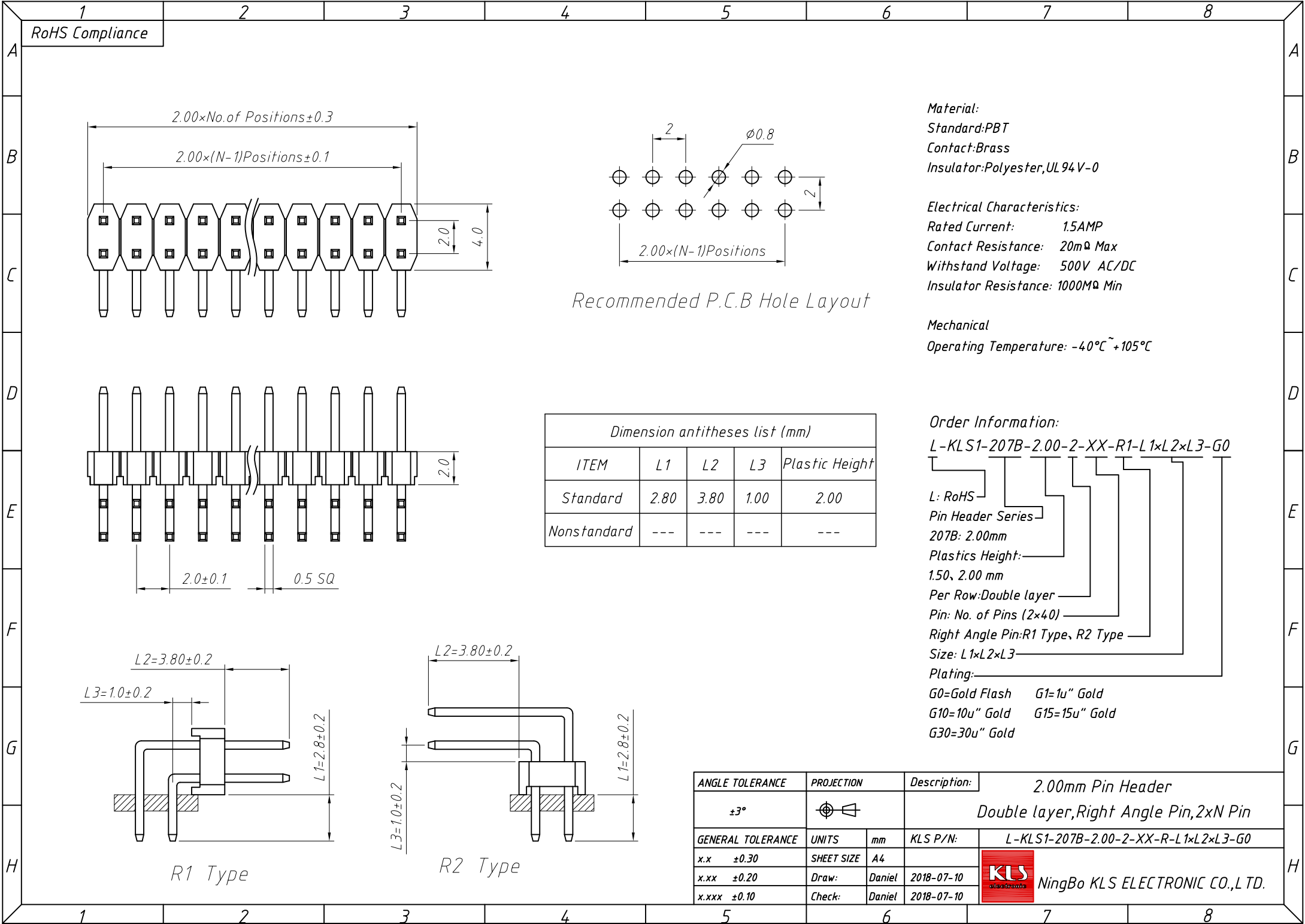
ITEM	L1	L2	L3	Plastic Height
Standard	2.80	3.80	8.60	2.00
Nonstandard	---	---	---	---

ANGLE TOLERANCE	PROJECTION	Description:
±3°		2.00mm Pin Header Double layer, Straight Pin, 2xN Pin
GENERAL TOLERANCE	UNITS	mm
x.x ±0.30	SHEET SIZE	A4
x.xx ±0.20	Draw:	Daniel 2018-07-10
x.xxx ±0.10	Check:	Daniel 2018-07-10

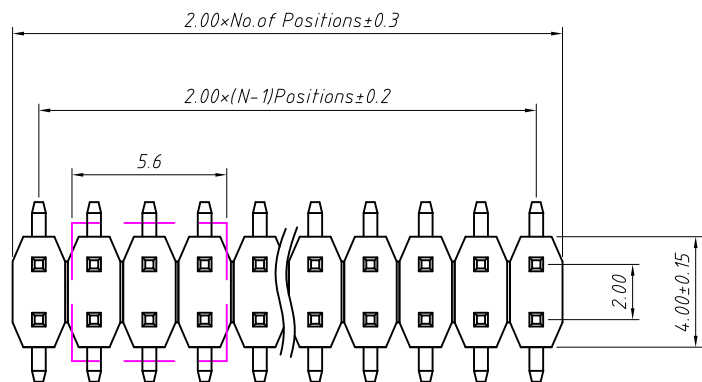


NingBo KLS ELECTRONIC CO.,L TD.

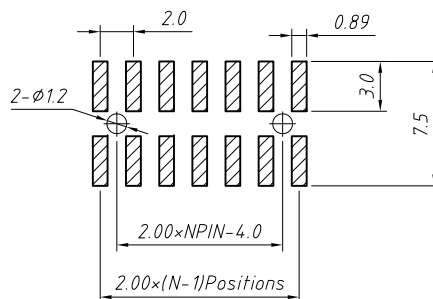
1
RoHS Compliance



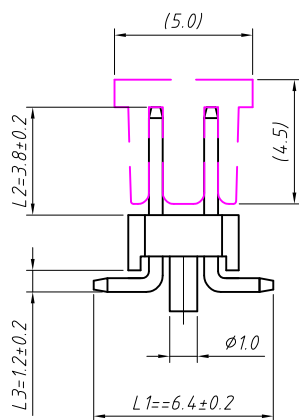
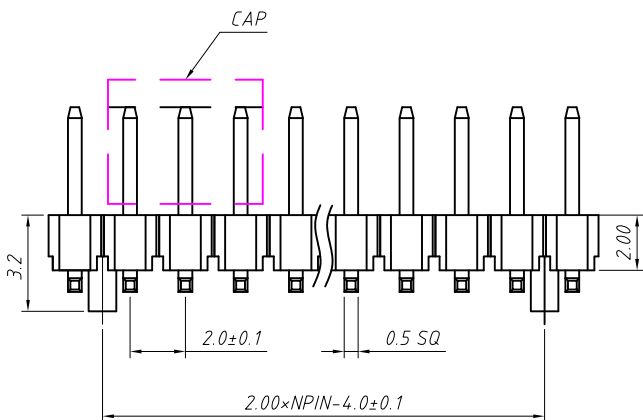
RoHS Compliance



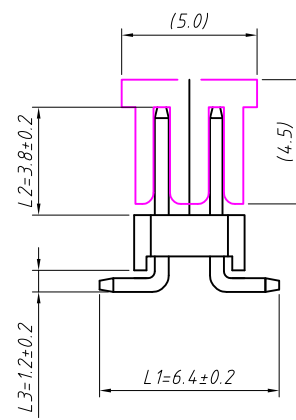
Recommended P.C.B Hole Layout



Material:
Standard: PA6T
Contact: Brass
Insulator: Polyester, UL 94V-0
Electrical Characteristics:
Rated Current: 1.5AMP
Contact Resistance: 20mΩ Max
Withstand Voltage: 500V AC/DC
Insulator Resistance: 1000MΩ Min
Mechanical
Operating Temperature: -40°C ~ +105°C
Max. Processing Temp: 240°C for 30-60 seconds
 (260°C for 10 seconds)



T3=With Post



T=W/O Post

Order Information:

L-KLS1-207B-2.00-2-XX-T-L1xL2xL3-G0-R

L: RoHS
 Pin Header Series
 207B: 2.00mm
 Plastics Height:
 1.50, 2.00 mm
 Per Row: Dual Row
 Pin: No. of Pins (2x40)
 SMT Pin: T3=With Post T=W/O Post
 Size: L1xL2xL3
 Plating:
 G0=Gold Flash G1=1u" Gold G10=10u" Gold
 G15=15u" Gold G30=30u" Gold
 Packing:
 0=PE Bag A=Tray T=Tube
 P=Tube+Cap R=Reel+Cap

Dimension antitheses list (mm)				
ITEM	L1	L2	L3	Plastic Height
Standard	6.40	3.80	1.20	2.00
Nonstandard	---	---	---	---

ANGLE TOLERANCE	PROJECTION	Description:	2.00mm Pin Header Dual Row, SMT, 2xN Pin	
±3°				
GENERAL TOLERANCE	UNITS	mm	KLS P/N:	L-KLS1-207B-2.00-2-XX-T-L1xL2xL3-G0-R
x.x ±0.30	SHEET SIZE	A4		
x.xx ±0.20	Draw:	Daniel	2018-07-10	NingBo KLS ELECTRONIC CO.,L TD.
x.xxx ±0.10	Check:	Daniel	2018-07-10	