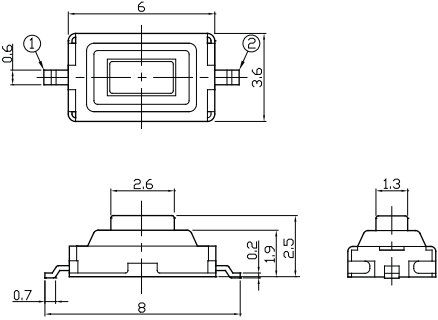
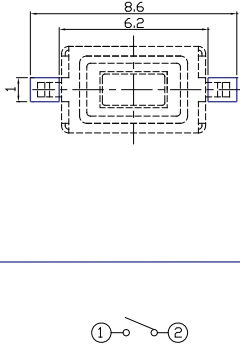
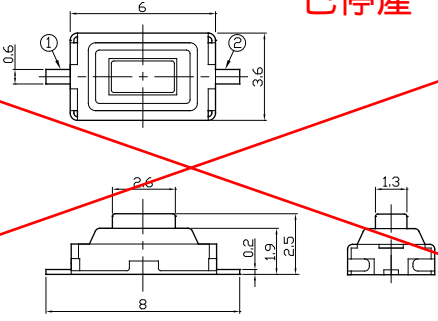
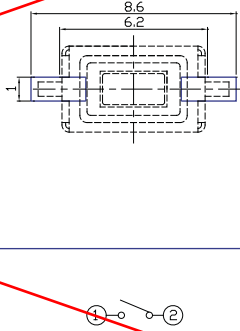
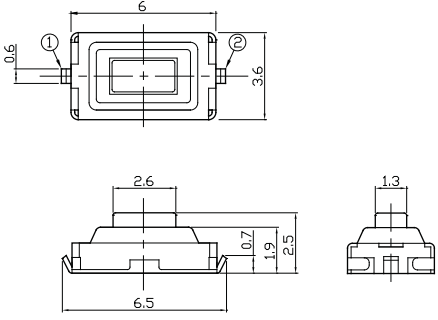
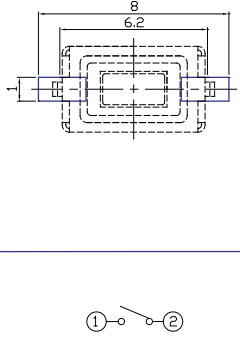
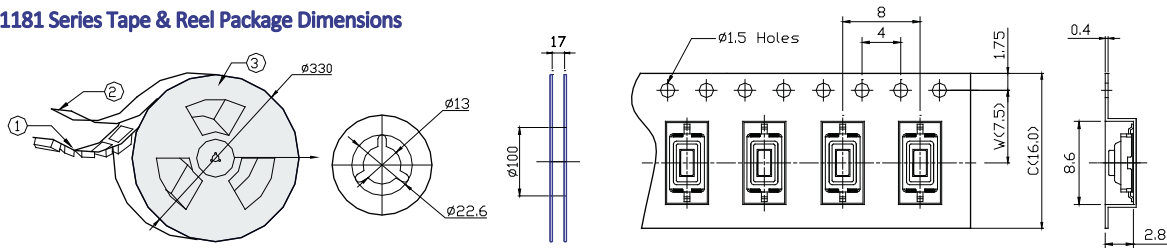




No.	Model No.	Dimension Type	PCB Land Dimension Circuit Diagram
1	<b>IT-1181</b>		
2	<b>IT-1181F</b>	<p style="text-align: center; color: red; font-weight: bold;">已停產</p> 	
3	<b>IT-1181U</b>		

**IT-1181 Series Tape & Reel Package Dimensions**



No.	Model No.	W	C	Pitch	Min. Package Qty / Reel	Qty / Out-carton
1	IT-1181 / 1181F / 1181U	16	7.5	8	3,000 pcs	60,000 pcs