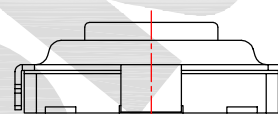
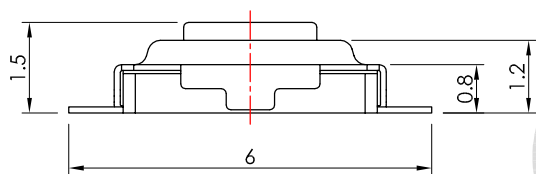
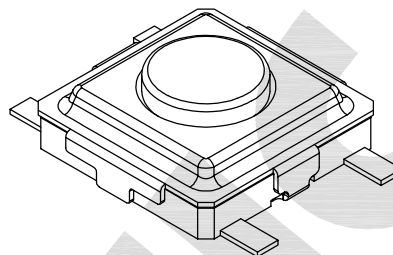
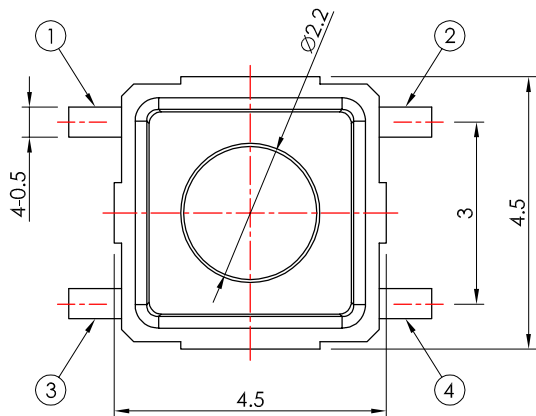
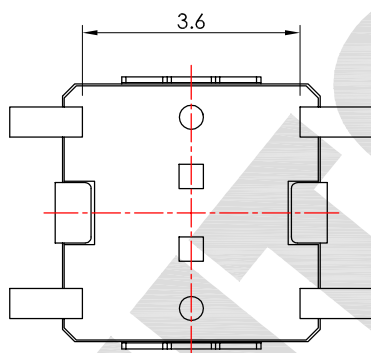


本圖面若與目錄之規格尺寸不符，以本圖面規格尺寸為主。  
Below is our main specification if different from catalog.

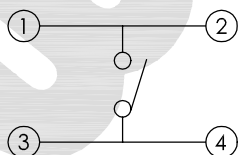
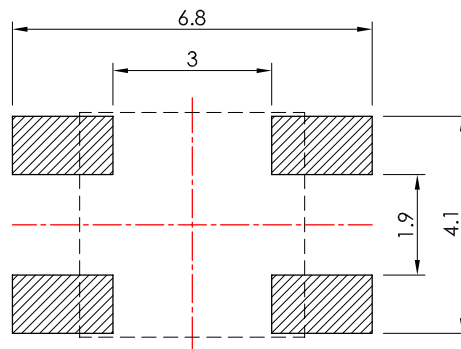
RoHS compliant



SMD REFLOW PATTERN



CIRCUIT DIAGRAM



IT-1147-XXXG-G

OPERATING FORCE	RoHS compliant
160, 250	

**SPECIFICATION**

- Rating: 50mA 12V DC Max.
- Circuit: 1P1T.
- Function: OFF-(ON).
- Travel: 0.25±0.1mm.
- Contact resistance: 100mΩ Max.(initial)
- Operating force: 160g±50g.
- Minimum load: 10mA 3.3V DC.(reference only)
- Operating life: 100,000 Cycles Min.
- Soldering temperature: 250°C Max. for 3 Sec.
- Soldering time: 1 time only.
- Note: Unwashable, don't be immersed by epoxy and organic solvent.



CV3.1	△		
CV3.0	無	新繪製	2010.01.05
版本 VER.	符號 SYMBOL	修改內容 ALTERATION	更新日期 DATE

產品 PRODUCT		Tact Switch		型號 MODEL NO.	IT-1147-160G-G
比例 SCALE	8 : 1	單位 UNIT	mm		
公差 TOLERANCE	±0.3mm				
製圖 DRAWN BY	核圖 CHECKED BY	主管 APPROVED BY			
Jan Chiu	Alex Lin	Margaret Lee			
<b>一綺電子企業股份有限公司</b> 總公司：110 台北市信義路四段415號13樓之3 13F-3 NO. 415, SEC. 4, HSIN YI ROAD, TAIPEI, TAIWAN TEL : 886-2-27290229(Rep.) FAX : 886-2-27582086 URL : http://www.switronic.com.tw E-MAIL : switches@ms36.hinet.net					