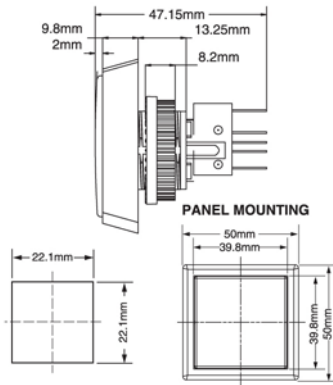
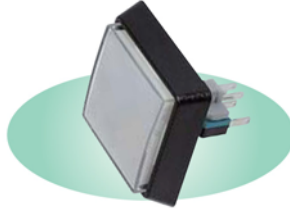
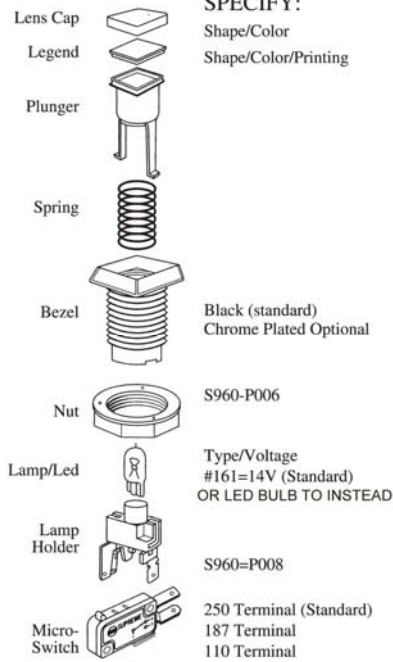


ILLUMINATED PUSH BUTTON S9616 (LARGE SQUARE) SPECIFICATION

MODEL NO. S961-6



STANDARD
Parts of
Push Button



PATENTED IN TAIWAN

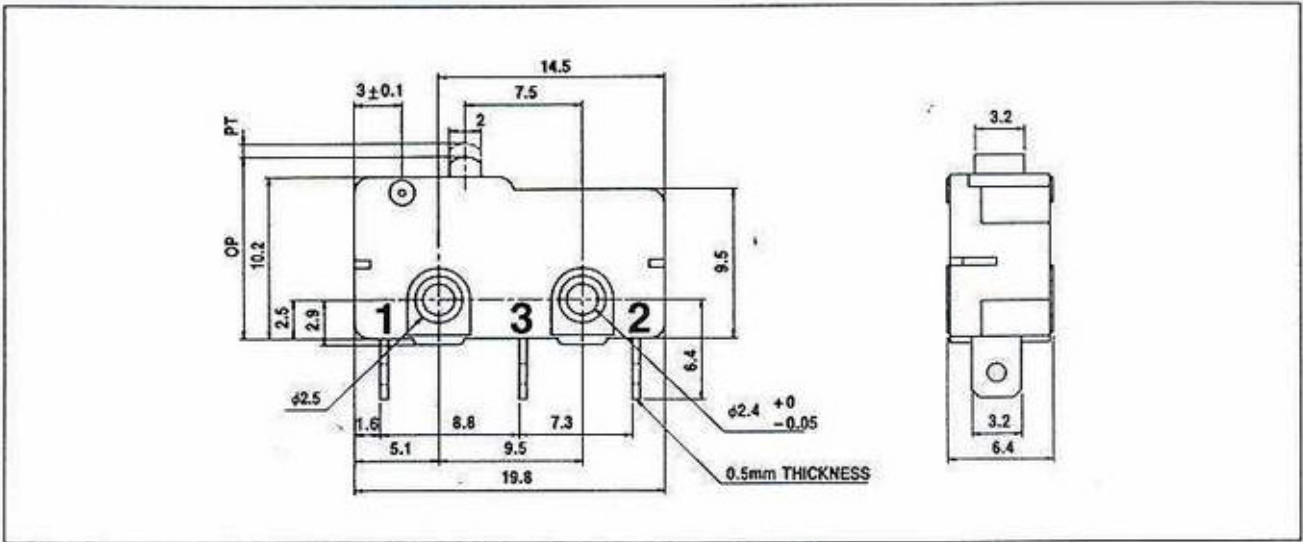
RoHS
Compliant



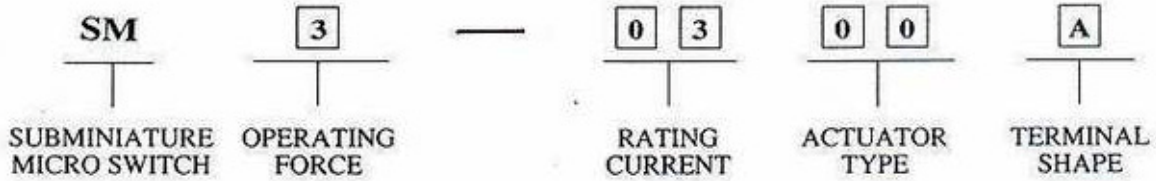
Material	
Bezel	ABS 77
Lens Cap	PC
Legend	ABS
Plunger	POM
Lamp Holder	PC
Spring	SWP
Switch Case	PBT Resin (UL94-V0)
Contact	Silver plated brass

Specification	
Degree of protection	IP40
UV Resistance	Button material UVresistance 94
Max. current/ voltage rating with resistive load	3A 125VAC
Electrical Life Expectancy	200,000 cycles
Mechanical Life Expectancy	10,000,000 cycles
Operating Temperature	-30°C to +50°C
Initial contact resistance	30mΩ
Insulation resistance	100mΩ min. at 500VDC
Operating Force	30 to 400gf
Total Travel	1.5mm
Push Button Type	Momentary

DIMENSION (OUTLINE DRAWING)



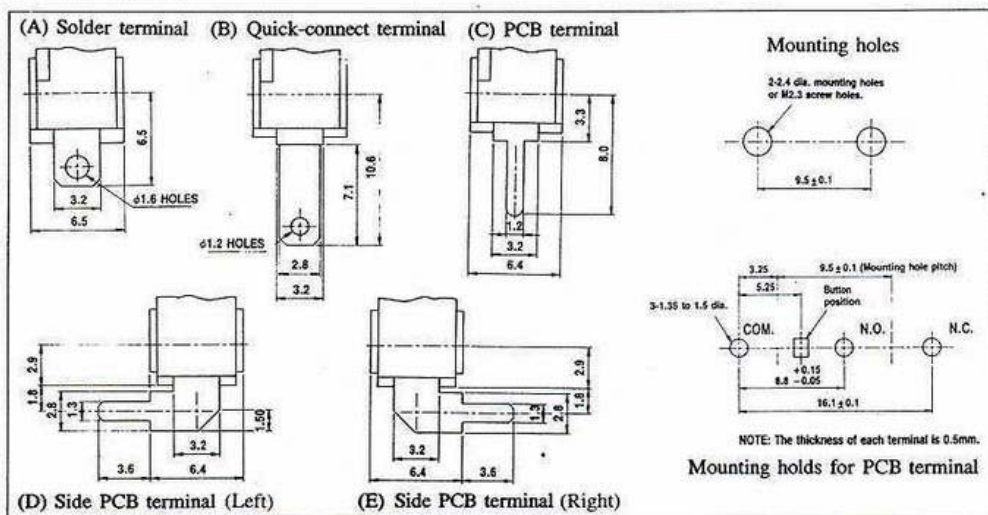
ORDERING INFORMATION



RATING

CODE	RATED CURRENT FOR RESISTIVE LOAD	RATED VOLTAGE
01	1A	125/250 (VAC)
03	3A	
05	5A	
10	10A	

TERMINALS



T5 LAMP

Specifications : WG / T5 12V 1.2W

Design voltage: 12V

Design current : 100MA +/- 10%

Brightness M.S.C.P : 0.5CP +/- 25%

Average Life Time : 1000H

Base print : 12V1.2W

Icon :

