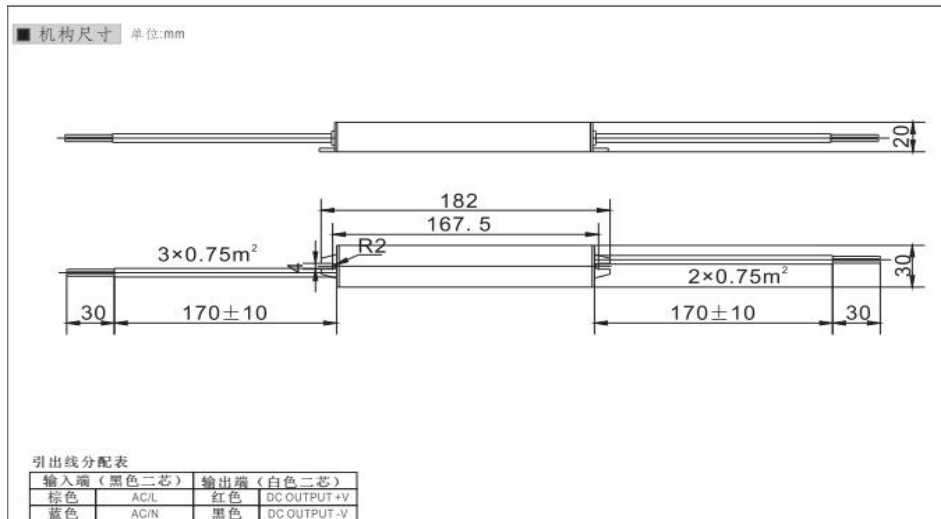


**Constant Voltage LED Driver (PWM control technology)**

GNVA12030M (Aluminium Case)

SIZE:182\*30\*20MM



Specification Data	
SIZE(mm)	182X30X20mm
WEIGHT	180g
WORKING VOLTAGE RANGE	170-240V/90-130V
MAX.OUTPUT CURRENT	30W
THE SUMOUTPUT CURRENT	2.5A
OUTPUT POWER	12±0.5V
ELECTRIC WIRE REQUEST	INPUT/OUTPUT WIRE USE SVT/VDE TYPE, 18# UL WIRE LENGTH IS 20CM

## **Features:**

1. Adopting the method of sealed filling, the products is waterproof and damp-proof , IP68  
Applicable to specified LED light.
2. Abnormal status protection : The products has output constant voltage and built-in protection for over-current and short-circuit.

## **Cautions:**

1. The mounting position in favor of heat sink. The product shall not be installed in places near heat sources.
2. It shall be avoided to work in abnormal situations (such as: Over-load, short-circuit and working in the range of non-working voltage for a long time.)
3. It shall be ensure during the period of operation that working voltage of LED lights suit to the output voltage of the product.  
The working current of LED lighting does not exceed the rated output current of the product.
4. The wire connecting shall be strong and reliable and insulating protection shall be added to avoid leakage.