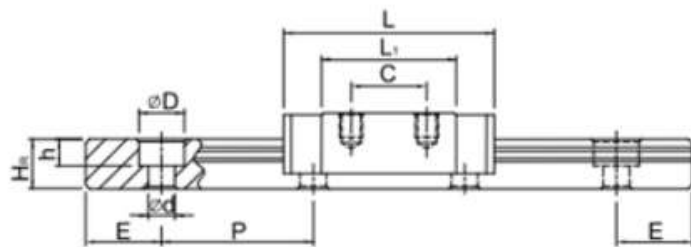
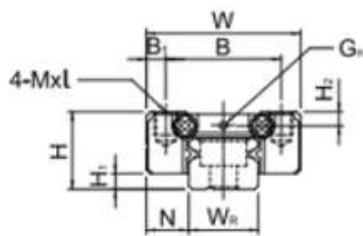


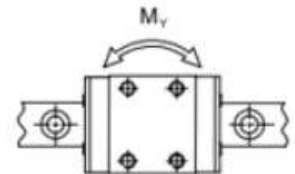
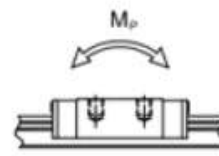
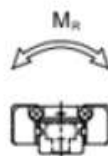
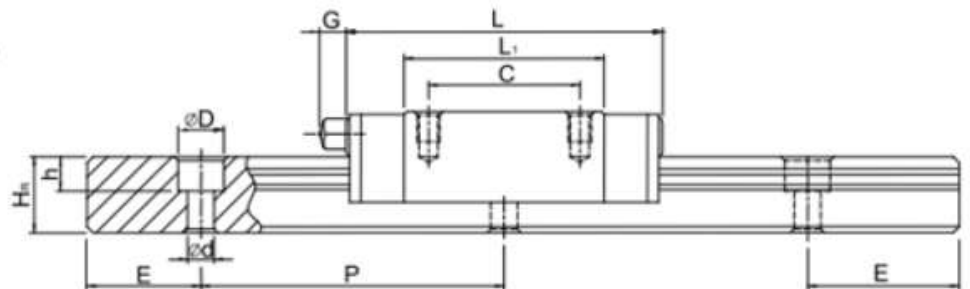
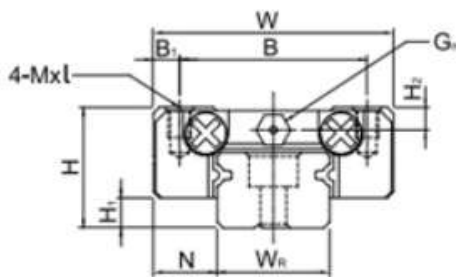
2-6-12 MGN/MGW 系列線性滑軌尺寸表

(1) MGN-C / MGN-H

MGN7, MGN9, MGN12



MGN15

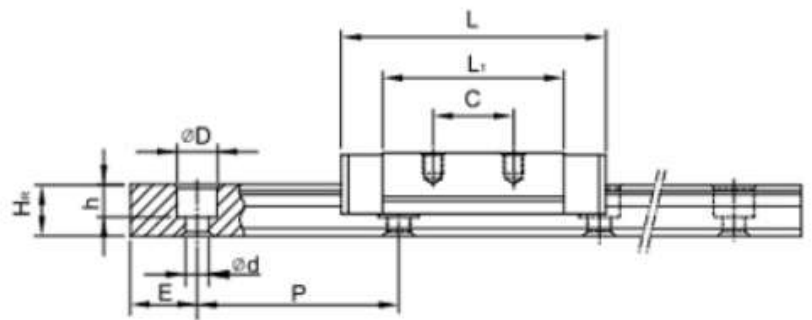
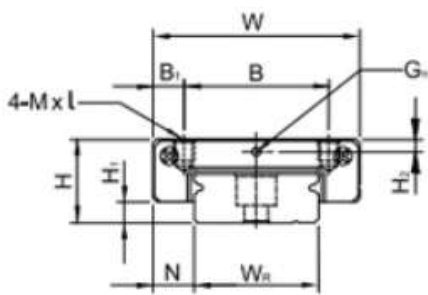


型號	組件尺寸 (mm)			滑塊尺寸 (mm)									滑軌尺寸 (mm)							
	H	H ₁	N	W	B	B ₁	C	L ₁	L	G	G _n	Mxl	H ₂	W _R	H _R	D	h	d	P	E
MGN 7C	8	1.5	5	17	12	2.5	8	13.5	22.5	-	Ø1.2	M2x2.5	1.5	7	4.8	4.2	2.3	2.4	15	5
MGN 7H							13	21.8	30.8											
MGN 9C	10	2	5.5	20	15	2.5	10	18.9	28.9	-	Ø1.4	M3x3	1.8	9	6.5	6	3.5	3.5	20	7.5
MGN 9H							16	29.9	39.9											
MGN 12C	13	3	7.5	27	20	3.5	15	21.7	34.7	Ø2	M3x3.5	2.5	12	8	6	4.5	3.5	25	10	
MGN 12H							20	32.4	45.4											
MGN 15C	16	4	8.5	32	25	3.5	20	26.7	42.1	4.5	M3	M3x4	3	15	10	6	4.5	3.5	40	15
MGN 15H							25	43.4	58.8											

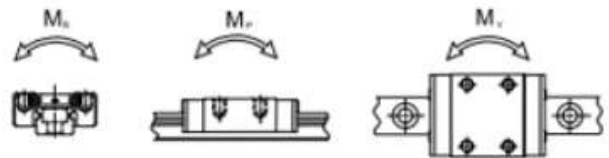
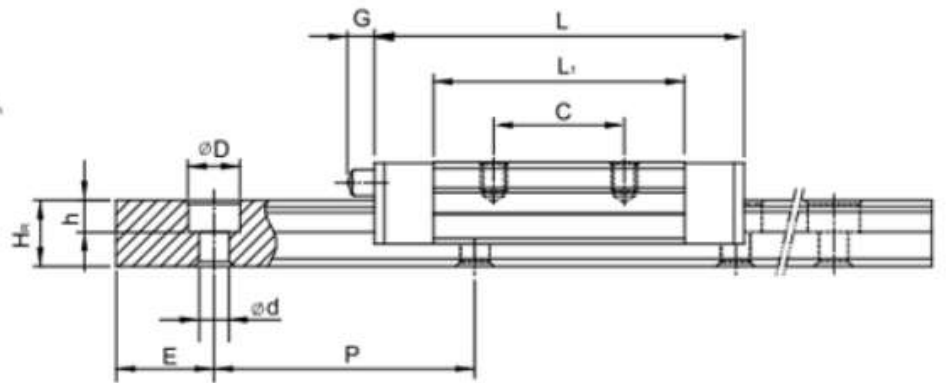
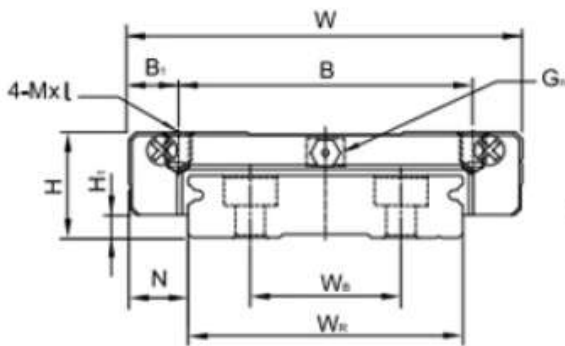
註：1 kgf = 9.81 N

(2) MGW-C / MGW-H

MGW7, MGW9, MGW12



MGW15



型號	組件尺寸 (mm)			滑塊尺寸 (mm)										滑軌尺寸 (mm)							
	H	H ₁	N	W	B	B ₁	C	L ₁	L	G	G _n	Mxl	H ₂	W _R	W _B	H _R	D	h	d	P	E
MGW 7C	9	1.9	5.5	25	19	3	10	21	31.2	-	Ø1.2	M3x3	1.85	14	-	5.2	6	3.2	3.5	30	10
MGW 7H							19	30.8	41												
MGW 9C	12	2.9	6	30	21	4.5	12	27.5	39.3	-	Ø1.2	M3x3	2.4	18	-	7	6	4.5	3.5	30	10
MGW 9H							23	3.5	24												
MGW 12C	14	3.4	8	40	28	6	15	31.3	46.1	-	Ø1.2	M3x3.6	2.8	24	-	8.5	8	4.5	4.5	40	15
MGW 12H							28	45.6	60.4												
MGW 15C	16	3.4	9	60	45	7.5	20	38	54.8	5.2	M3	M4x4.2	3.2	42	23	9.5	8	4.5	4.5	40	15
MGW 15H							35	57	73.8												

註 : 1 kgf = 9.81 N