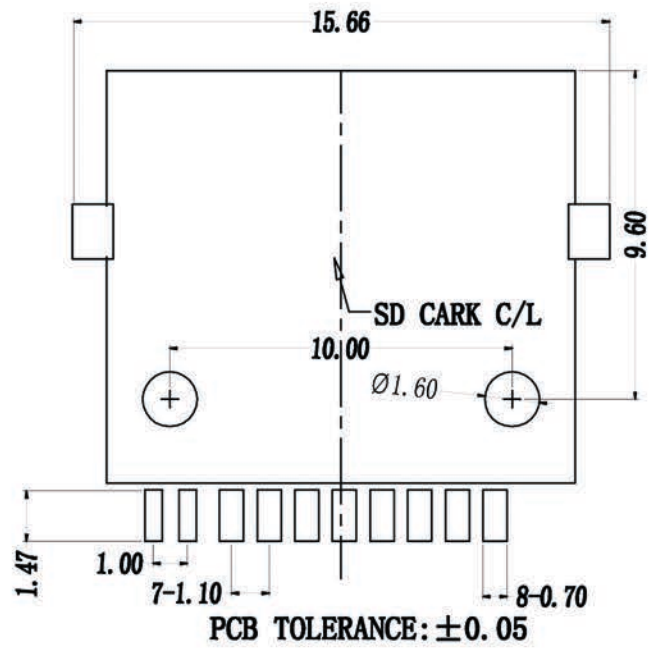
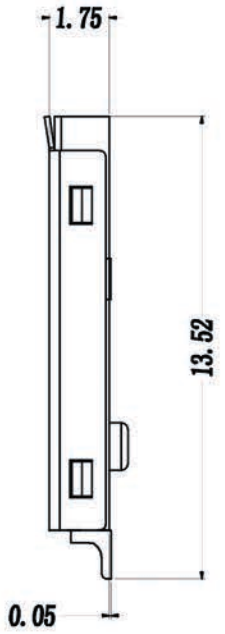
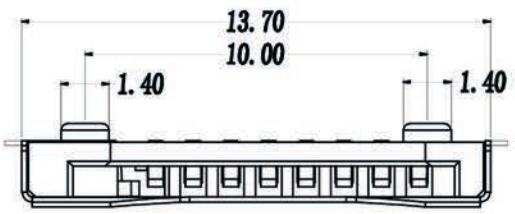
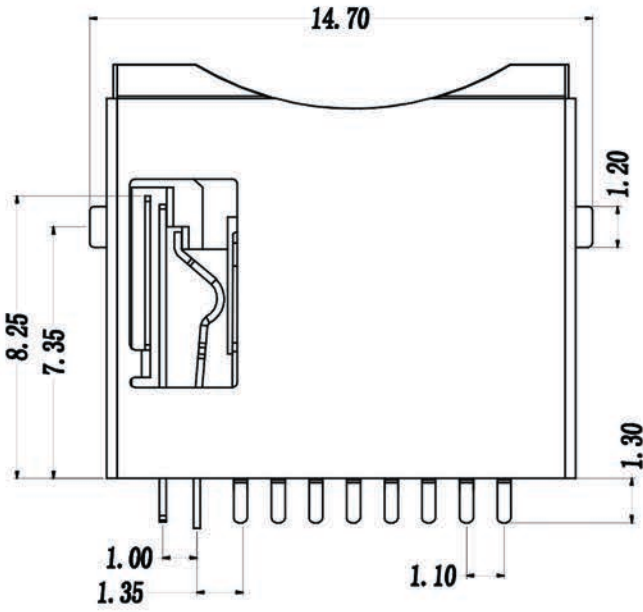


ÓÉ Foxit PDF Editor ±¼°
 °æËÛÜÖ (c) by Foxit Software Company, 2004
 ½ÖÁÒÛÄÅ¹À;É



TOLERANCE		DRAWN	PROJECTION:	TITLE:
ANGLE	.0 ±0.1° .00 ±0.05° .000 ±0.005	肖雷武		TF 卡座成品(有开关)
		APPROVED	UNIT:	PART NO.
			MM	
		DATE	SCALE:	DWG. NO.
		2010-05-15	1/1	
			SIZE:	
			A4	