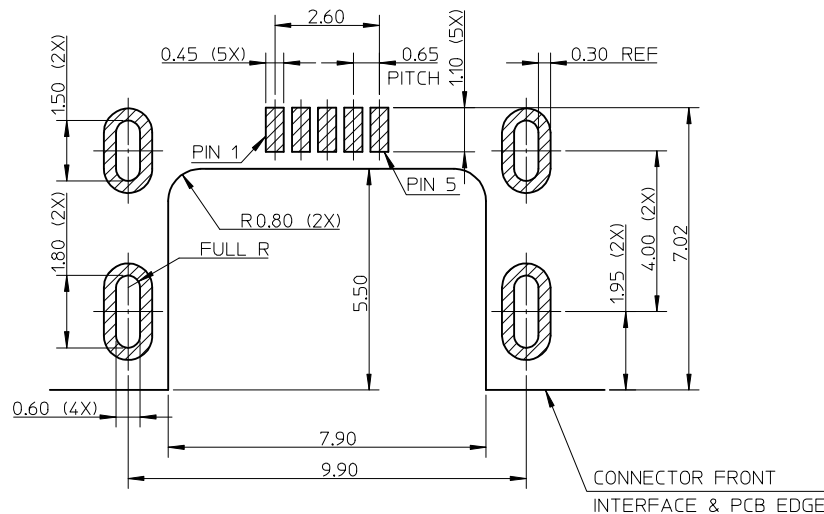
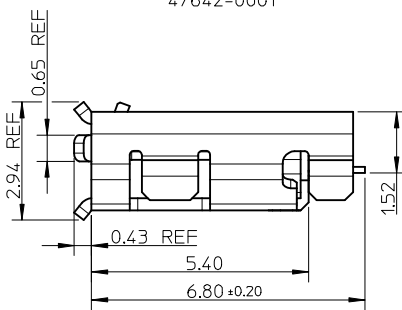
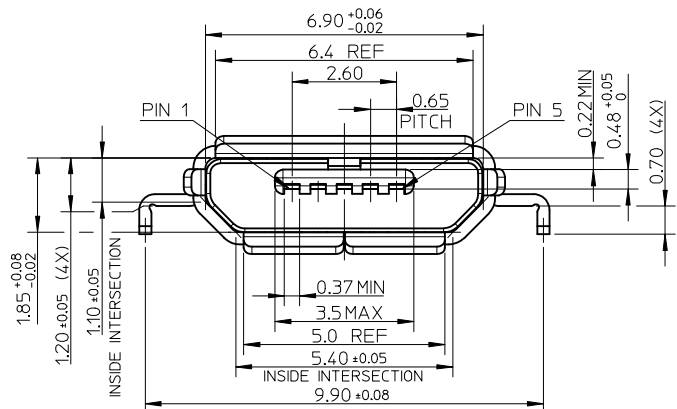


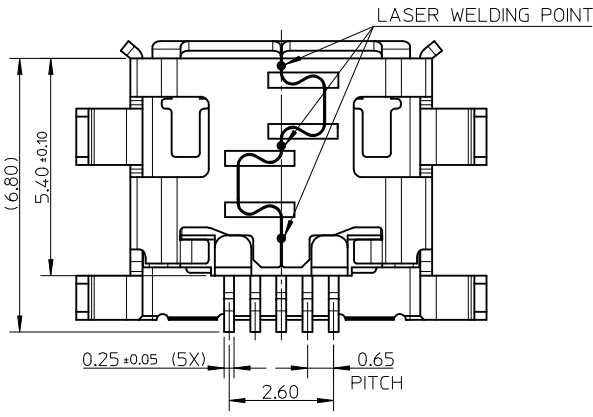
NOTES:

- MATERIAL:
HOUSING: LCP, BLACK, UL94V-0;
TERMINAL: COPPER ALLOY, THICKNESS: 0.15mm;
SHELL: STAINLESS STEEL, THICKNESS: 0.30mm.
- PLATING:
TERMINAL:
CONTACT AREA: GOLD FLASH OVER 0.75 MICRON MINIMUM Pd/Ni;
SOLDER TAIL AREA: GOLD FLASH;
UNDER PLATING: NICKEL 2.0 MICRON MINIMUM.
SHELL:
MATTE TIN 2.0 MICRON MINIMUM;
UNDER PLATING: NICKEL 1.27 MICRON MINIMUM.
- TAIL & NAIL COPLANARITY 0.08mm MAXIMUM.
- PRODUCT SPECIFICATION: PS-47642-001.
- PACKAGE SPECIFICATION: PK-47642-001.
- PRODUCT COMPLIANT TO RoHS DIRECTIVE 2002/95/EC AND ELV DIRECTIVE 2000/53/EC.



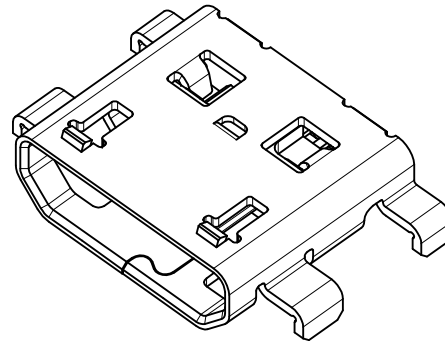
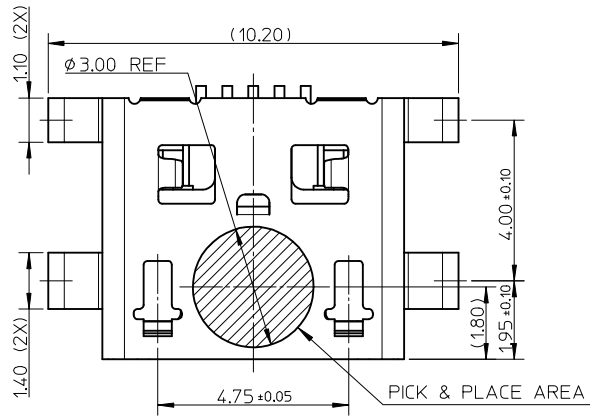
47642-0011	WITH
47642-0001	WITHOUT
PART NUMBER	MYLAR

RECOMMENDED P.C.B. PATTERN LAYOUT
GENERAL TOLERANCE: ±0.05

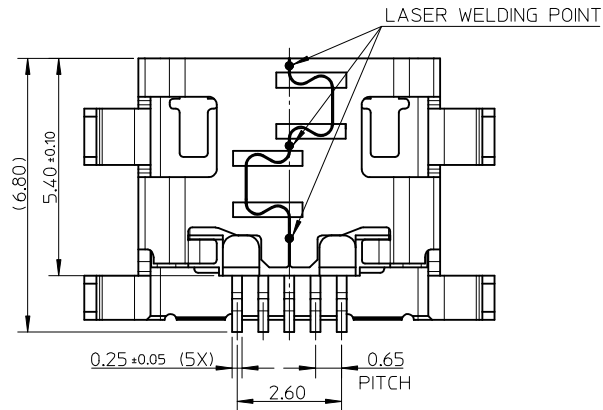
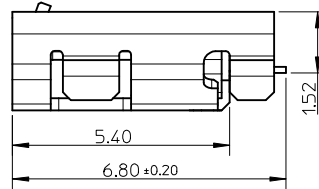
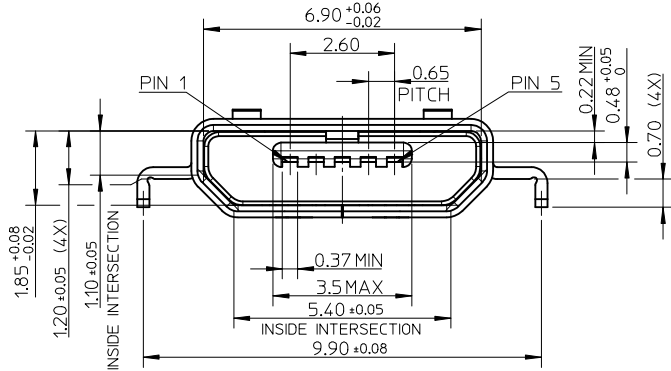


REVISED EC NO: SH2014-0260 DRWN:XZHZHANG 2013/12/23 CHKD:XZHZHANG 2013/12/23 APPR:AYTIN 2014/02/11	DESCRIPTION	QUALITY SYMBOLS	GENERAL TOLERANCES (UNLESS SPECIFIED)		DIMENSION STYLE	SCALE	DESIGN UNITS	THIRD ANGLE PROJECTION		
		▽ _F =0	mm	INCH	MM ONLY	1:1	METRIC	☉		
		▽ _E =0	4 PLACES ± --- ± ---	3 PLACES ± --- ± ---	2 PLACES ± 0.25 ± ---	1 PLACE ± 0.25 ± ---	0 PLACE ± --- ± ---	TITLE		
		▽ _D =0	ANGULAR ± 3 °					MICRO USB B REC. MID MOUNT THROUGH HOLE ASS'Y		
D	REV	DRAFT WHERE APPLICABLE MUST REMAIN WITHIN DIMENSIONS	SEE TABLE		MATERIAL NO.	DOCUMENT NO.		SHEET NO.		
			SIZE: A3		THIS DRAWING CONTAINS INFORMATION THAT IS PROPRIETARY TO MOLEX INCORPORATED AND SHOULD NOT BE USED WITHOUT WRITTEN PERMISSION			1 OF 2		





47642-1001



SEE SHEET 1 EC NO: SHZ014-0260 DRWN:XZHZHANG 2013/12/23 CHKD:XZHZHANG 2013/12/23 APPR:AYTIN 2014/02/11	QUALITY SYMBOLS ▽ _F =0 ▽ _E =0 ▽ _D =0	GENERAL TOLERANCES (UNLESS SPECIFIED)		DIMENSION STYLE MM ONLY		SCALE 1:1	DESIGN UNITS METRIC	THIRD ANGLE PROJECTION
		mm	INCH	DRAWN BY XJSONG	DATE 2008/01/04	TITLE MICRO USB B REC. MID MOUNT THROUGH HOLE ASS'Y FLANGELESS TYPE		
D	REV	4 PLACES	± ---	± ---	CHECKED BY JTIAN	DATE 2008/01/04	molex	
		3 PLACES	± ---	± ---	APPROVED BY HWWANG	DATE 2008/01/04		
		2 PLACES	± 0.25	± ---	MATERIAL NO. 47642-1001		DOCUMENT NO. SD-47642-001	SHEET NO. 2 OF 2
		1 PLACE	± 0.25	± ---	THIS DRAWING CONTAINS INFORMATION THAT IS PROPRIETARY TO MOLEX INCORPORATED AND SHOULD NOT BE USED WITHOUT WRITTEN PERMISSION			
		0 PLACE	± ---	± ---				
		ANGULAR ± 3 °		DRAFT WHERE APPLICABLE MUST REMAIN WITHIN DIMENSIONS				