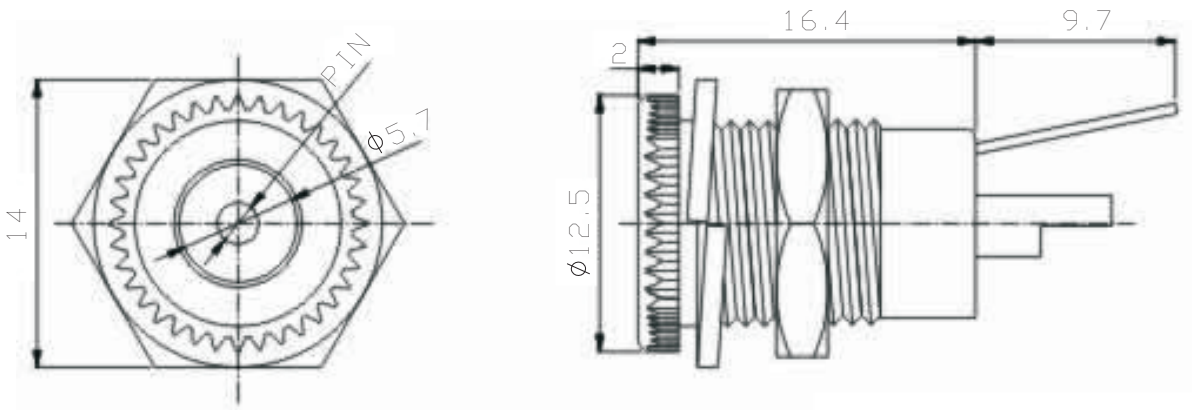




## DC Power Plug Series

KLS1-DC-026 (DC Power Socket)

### Technical parameters:

Contact resistance: 30mΩ, max  
 Insulation resistance: 100MΩ, min  
 Pressure: AC500V (50Hz) / 1minute  
 Rated Load: DC 30V 1A  
 Actuating Force: 3~20N  
 Life: 5000 times  
 Operating Temperature: -30°C ~ 70°C



MODEL NO.	MODEL NO.
SCHEMATIC	
	
CENTER PIN	φ2.0mm
	φ2.5mm

## ORDER INFORMATION

Product NO.: KLS1-DC-026-2.0

