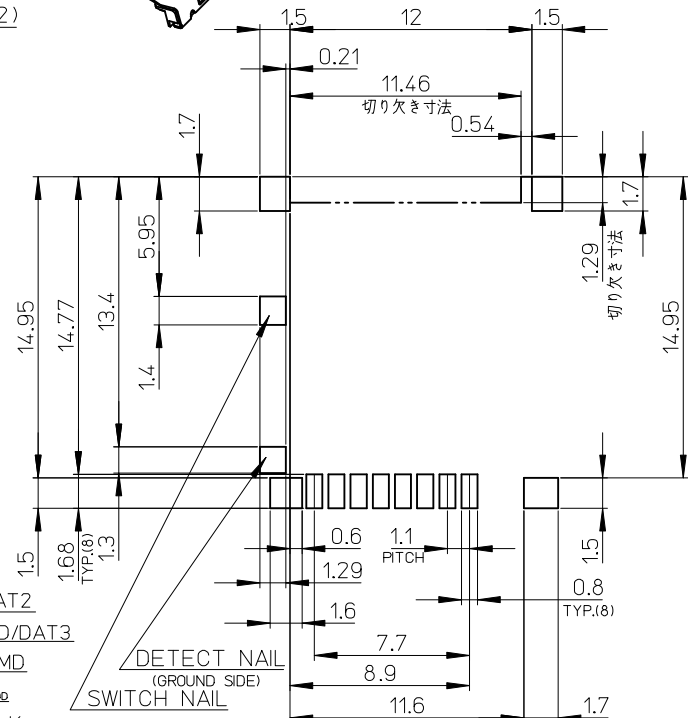
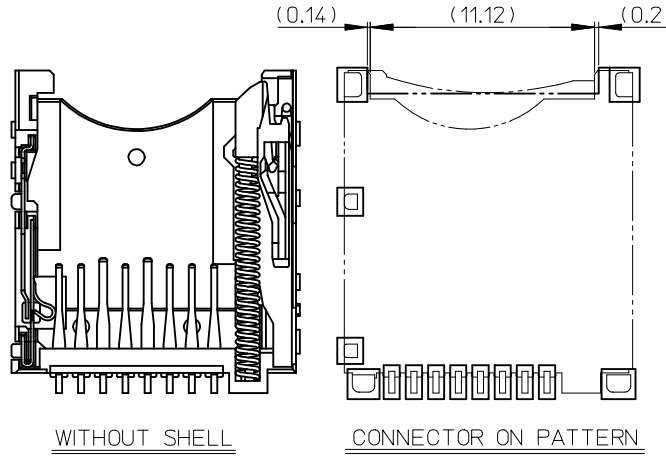
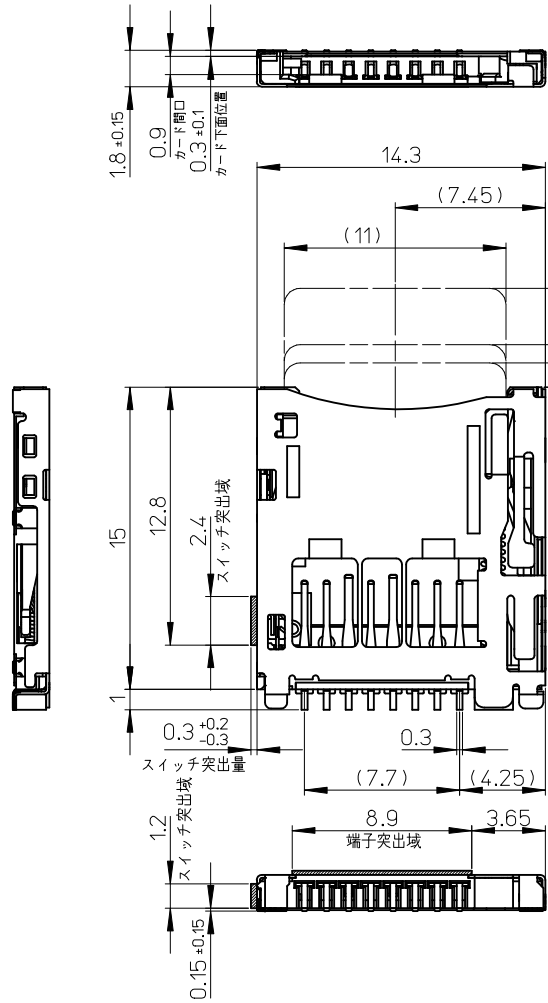
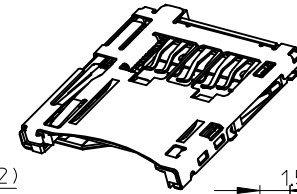


NOTES

- 端子とネイルの平坦度は 0.1 MAX.
COPLANARITY OF TERMINAL AND NAIL TO BE 0.1 MAX.
- ロット印字は任意とする。
LOT NUMBERING TO BE OPTIONAL ARRANGEMENT.
- 肉抜き位置は任意とする。
CAVITY TO BE OPPTIONAL ARRANGEMENT.
- エンボス梱包 : 502774-0891
EMBOSS PACKAGE : 502774-0891
- カード検出スイッチ
DETECT SWITCH

| | |
|-----------------------------------|----------------|
| カード挿入時 CARD INSERTING POSITION | クローズ CLOSED |
| カード未挿入時 NO CARD POSITION | オープン OPEN |
- ELV AND RoHS COMPLIANT.



- PIN No.1 DAT2
- PIN No.2 CD/DAT3
- PIN No.3 CMD
- PIN No.4 V_{DD}
- PIN No.5 CLK
- PIN No.6 V_{SS}
- PIN No.7 DAT0
- PIN No.8 DAT1

RECOMMENDED PCB PATTERN LAYOUT
GENERAL TOLERANCE : ±0.05

| REVISED | DESCRIPTION | GENERAL TOLERANCES (UNLESS SPECIFIED) | DIMENSION STYLE |
|--------------------------|----------------------------|---------------------------------------|-----------------|
| EC NO: J2017-0603 | DRWN:YHONDA01 2017/05/31 | 0.25 UNDER UNDER ±0.03 | MM ONLY |
| CHKD:TASAKAWA 2017/06/02 | APPR:KUSUHARA01 2017/06/06 | 0.25 OVER 0.5 UNDER ±0.05 | |
| | | 0.5 OVER 1.0 UNDER ±0.1 | |
| | | 1.0 OVER 10 UNDER ±0.2 | |
| | | 10 OVER 30 UNDER ±0.25 | |
| | | 30 OVER ±0.3 | |
| | | ANGULAR ±1 ° | |

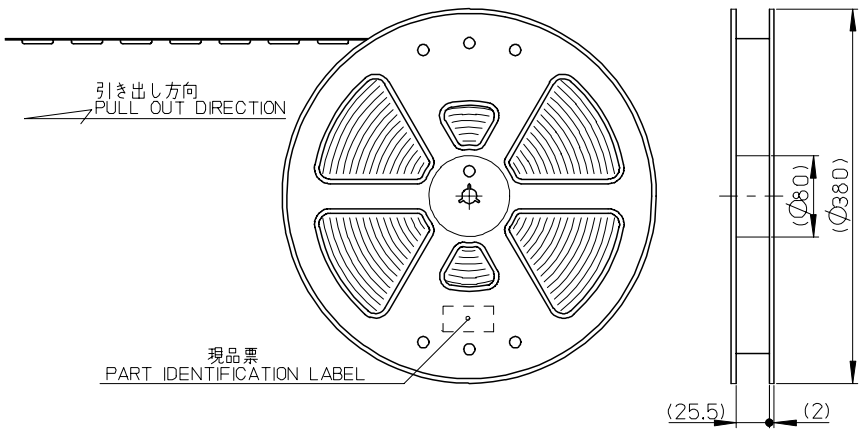
| DATE | DATE |
|----------------------|-----------------|
| DRAWN BY JUNH. | DATE 2007/07/29 |
| CHECKED BY K. TOYOTA | DATE 2007/07/29 |
| APPROVED BY N. UKITA | DATE 2007/07/29 |
| MATERIAL NO. | |

| | | |
|----------------------------------|--------------|------------------------|
| 502774-0891 | | 8 |
| EMBOSEED PACKAGE | | 極数 |
| オーダー番号 | ORDER NO. | CIRCUITS |
| CONNECTOR SERIES NO. 502774-0811 | | |
| SCALE | DESIGN UNITS | THIRD ANGLE PROJECTION |
| | METRIC | |
| TITLE MICRO SD CONN. REVERSE | | |
| DOCUMENT NO. | | SHEET NO. |
| SD-502774-001 | | 1 OF 2 |

SEE TABLE
THIS DRAWING CONTAINS INFORMATION THAT IS PROPRIETARY TO MOLEX ELECTRONIC TECHNOLOGIES, LLC AND SHOULD NOT BE USED WITHOUT WRITTEN PERMISSION

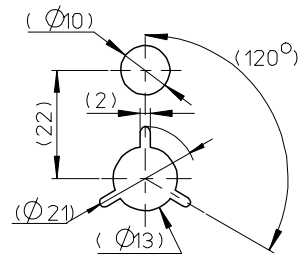
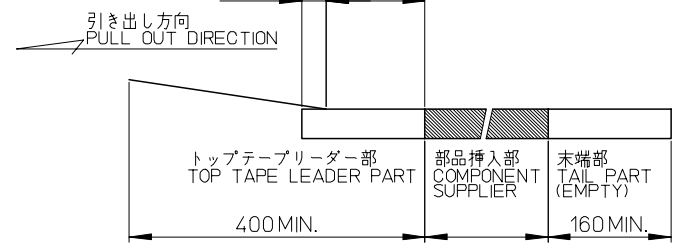
F

F



NOTES

- 梱包数量 : 1000個/リール
NUMBER OF CONNECTORS : 1000PCS./REEL
- リードテープ長さ
LEAD TAPE LENGTH
 トップテープ未接着部 TOP TAPE NON-BONDED PART 50±50
 トップテープ接着部(空エンボス) TOP TAPE BONDED PART(EMPTY) 20PCS. MIN.
- 材料 MATERIAL
 キャリアテープ : ポリスチレン (PS)
 トップテープ : PET, PE, PEF
 リール : ポリスチレン(PS) <リサイクル材を含む>
 CARRIER TAPE : POLYSTYLENE(PS)
 TOP TAPE : PET, PE, PEF
 REEL : POLYSTYLENE(PS) <RECYCLE MATERIAL CONTAINED>
- コネクタ番号 : 502774-0811
CONNECTOR NO. : 502774-0811



E

E

D

D

C

C

B

B

A

A

| | | | | | | | | |
|-----------------------------------------------------------------------------------------------------------------|---------------------------------------|-------|------------------------------------------------------|--------------------|-------------------------------------------------------------------|-------------------------------|------------------------|--|
| RELEASED EC NO: J2008-0265 DRWN: JHAN01 2007/08/03 CHKDK: TOYOTA 2007/08/03 APPR: NUKITA 2007/08/06 | GENERAL TOLERANCES (UNLESS SPECIFIED) | | DIMENSION STYLE MM ONLY | | SCALE --- | DESIGN UNITS METRIC | THIRD ANGLE PROJECTION | |
| | 10 UNDER | ±0.2 | DRAWN BY JUNH. | DATE 2007/06/29 | TITLE MICRO SD CONN. REVERSE EMBOSSED TAPE PACKAGE -LEAD FREE- | | | |
| | 10 ⁰ OVER 30 UNDER | ±0.25 | CHECKED BY K. TOYODA | DATE 2007/06/29 | MOLEX INCORPORATED | | | |
| | 30 ⁰ OVER | ±0.3 | APPROVED BY N. UKITA | DATE 2007/06/29 | MATERIAL NO. | DOCUMENT NO. SD-502774-002 | SHEET NO. 1 OF 2 | |
| | ANGULAR | ±1 ° | DRAFT WHERE APPLICABLE MUST REMAIN WITHIN DIMENSIONS | | SEE SHEET 2 | | | |

| PARTS | QTY | MATERIAL | FINISH |
|-------------------------|-----|-------------------------------------------------------------------------------|------------------------------------------------------------------------------------------------------------------------------------------------------------------------------------------|
| ハウジング HOUSING | 1 | ガラス入り耐熱樹脂 (LCP), UL94V-0 色:黒 HEAT RESISTANCE POLYMER (LCP), UL94V-0, BLACK | —#— |
| ハートカム HEART CAM | 1 | ガラス入り耐熱樹脂 (LCP), UL94V-0 色:黒 HEAT RESISTANCE POLYMER (LCP), UL94V-0, BLACK | —#— |
| ターミナル TERMINAL | 8 | 銅合金 COPPER ALLOY | 接点部 : 金メッキ 0.5 μm MIN. CONTACT AREA : GOLD 0.5 μm MIN. 下地 : ニッケルメッキ 1.0 μm MIN. UNDER PLATING : NICKEL 1.0 μm MIN. 半田付け部 : 錫メッキ 2.0 μm MIN. SOLDER AREA : TIN 2.0 μm MIN. |
| ディテクトネイル DETECT NAIL | 1 | 銅合金 COPPER ALLOY | 接点部 : 金メッキ 0.2 μm MIN. CONTACT AREA : GOLD 0.2 μm MIN. 下地 : ニッケルメッキ 1.0 μm MIN. UNDER PLATING : NICKEL 1.0 μm MIN. |
| スイッチネイル SWITCH NAIL | 1 | 銅合金 COPPER ALLOY | 接点部 : 金メッキ 0.2 μm MIN. CONTACT AREA : GOLD 0.2 μm MIN. 下地 : ニッケルメッキ 1.0 μm MIN. UNDER PLATING : NICKEL 1.0 μm MIN. 半田付け部 : 錫メッキ 1.0 μm MIN. SOLDER AREA : TIN 1.0 μm MIN. |
| メタルシェル METAL SHELL | 1 | ステンレス鋼 STAINLESS STEEL | 全面 : ニッケルメッキ 0.5 μm MIN. ALLOVER : NICKEL 0.5 μm MIN. 部分金メッキ 0.02 μm MIN. SELECTIVE GOLD 0.02 μm MIN. |
| ピン PIN | 1 | ステンレス鋼 STAINLESS STEEL | —#— |
| スプリング SPRING | 1 | ピアノ線 SWP | 全面 : ニッケルメッキ ALLOVER : NICKEL |

| | | | | | | | | | |
|-----------------------------------------------------------------------------------------------------------------------|---------------------------------------|-----------|-----------------------------------------------------------------------------------------------------------------------------------------------|----------------------------|-------------------------------|---------------------------------|------------------------|------------------------|--|
| REVISED EC NO: J2017-0603 DRWN: YHONDA01 2017/05/31 CHKD: TASAKAWA 2017/06/02 APPR: KUSUHARA01 2017/06/06 | GENERAL TOLERANCES (UNLESS SPECIFIED) | | | DIMENSION STYLE MM ONLY | | SCALE --- | DESIGN UNITS METRIC | THIRD ANGLE PROJECTION | |
| | 0.25 UNDER | UNDER | ±0.03 | DRAWN BY | DATE | TITLE MICRO SD CONN. REVERSE | | | |
| | 0.25 OVER | 0.5 UNDER | ±0.05 | JUNH. | 2007/07/29 | CHECKED BY | | | |
| | 0.5 OVER | 1.0 UNDER | ±0.1 | K. TOYOTA | 2007/07/29 | APPROVED BY | | | |
| 1.0 OVER | 10 UNDER | ±--- | N. UKITA | 2007/07/29 | MATERIAL NO. | | | | |
| 30 OVER | 30 UNDER | ±--- | SEE SHEET 1 | | DOCUMENT NO. SD-502774-001 | | | | |
| ANGULAR | ±--- | ° | SIZE A3 | | SHEET NO. 2 OF 2 | | | | |
| DRAFT WHERE APPLICABLE MUST REMAIN WITHIN DIMENSIONS | | | THIS DRAWING CONTAINS INFORMATION THAT IS PROPRIETARY TO MOLEX ELECTRONIC TECHNOLOGIES, LLC AND SHOULD NOT BE USED WITHOUT WRITTEN PERMISSION | | | | | | |

10 9 8 7 6 5 4 3 2 1

F

E

D

C

B

A

F

E

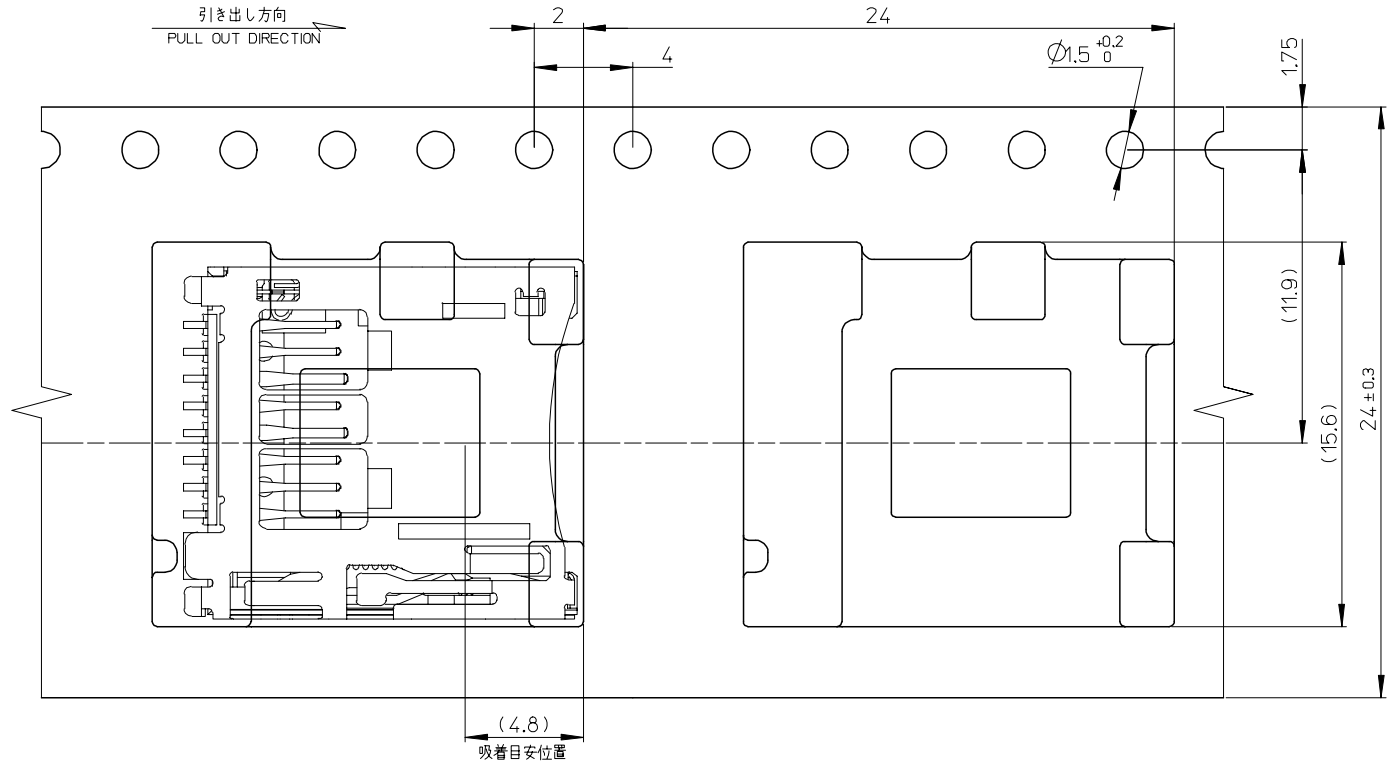
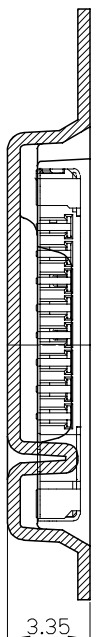
D

C

B

A

引き出し方向
PULL OUT DIRECTION



| | |
|-------------|--------------|
| 502774-0811 | 502774-0891 |
| CONNECTOR | MATERIAL NO. |

| | | | | | | | | |
|--------------------------------------------------------------------------------------------------------------------|---------------------------------------|------------------------------------------------------------|----------------------------|------------|--------------------|----------------------------------------------------------------------------------------------------------------------------------|------------------------------------------------------------------------|--|
| SEE SHEET 1 EC NO: J2008-0265 DRWN: JHANO1 2007/08/03 CHKDK: TOYOTA 2007/08/03 APPR: NUKITA 2007/08/06 | GENERAL TOLERANCES (UNLESS SPECIFIED) | | DIMENSION STYLE MM ONLY | | SCALE 5:1 | DESIGN UNITS METRIC | THIRD ANGLE PROJECTION | |
| | 10 UNDER | ±0.2 | DRAWN BY JUNH. | | DATE 2007/06/29 | | TITLE MICRO SD CONN. REVERSE EMBOSSD TAPE PACKAGE -LEAD FREE- | |
| | 10 OVER 30 UNDER | ±0.25 | CHECKED BY K. TOYOTA | | DATE 2007/06/29 | | MOLEX INCORPORATED | |
| | 30 OVER | ±0.3 | APPROVED BY N. UKITA | | DATE 2007/06/29 | | DOCUMENT NO. SD-502774-002 | |
| | ANGULAR | ±1 ° | MATERIAL NO. | | SEE CHART | | SHEET NO. 2 OF 2 | |
| 0 | REV | DRAFT WHERE APPLICABLE MUST REMAIN WITHIN DIMENSIONS | | SIZE A3 | | THIS DRAWING CONTAINS INFORMATION THAT IS PROPRIETARY TO MOLEX INCORPORATED AND SHOULD NOT BE USED WITHOUT WRITTEN PERMISSION | | |