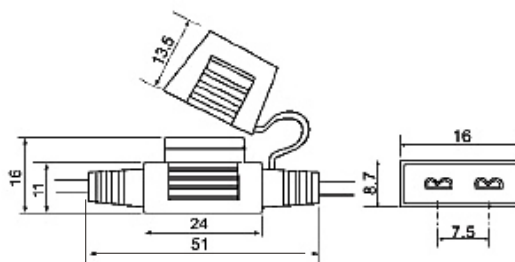


Circuit Protection components

Blade fuse holder In-Line series



Part No: KLS5-707



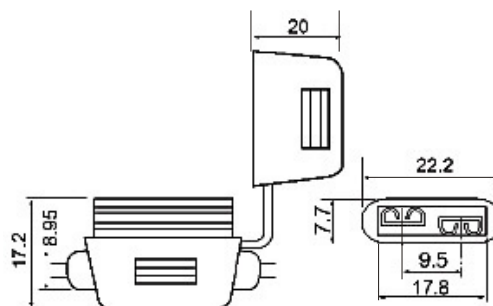
Suitable fuse: Mini auto plug-in sheet fuse

Description :

Feature Water Splashproof type
 Applicable For ATS (Mini) blade fuse
 Electrical Rated for currents up to 30A
 Insulating Body PVC
 Contacts Brass
 Note Custom wire length and wire AWG 12#~20# are available.
 Please specify wire gauge. Spring, terminal and wire are available on request



Part No: KLS5-708B



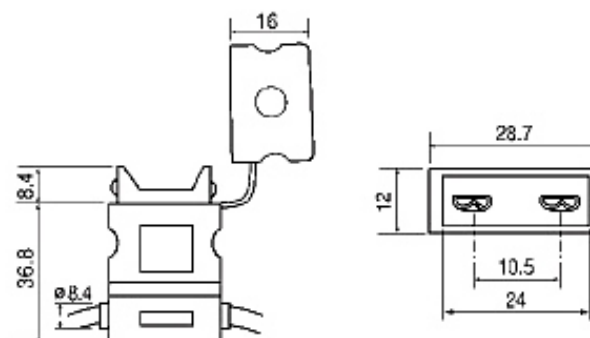
Suitable fuse: Medium auto plug-in sheet fuse

Description :

Feature Water Splashproof type
 Applicable For ATC blade fuse
 Electrical Rated for currents up to 30A
 Insulating Body PVC
 Contacts Brass
 Note Custom wire length and wire AWG 12#~20# are available.
 Please specify wire gauge. Spring, terminal and wire are available on request



Part No: KLS5-709



Suitable fuse: Medium auto plug-in sheet fuse

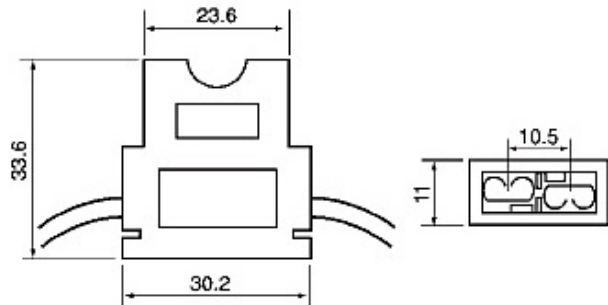
Description :

Feature Water Splashproof type
 Applicable For ATC blade fuse
 Electrical Rated for currents up to 30A
 Insulating Body PVC
 Contacts Brass
 Note Custom wire length and wire AWG 10#~20# are available.
 Please specify wire gauge. Spring, terminal and wire are available on request

Blade fuse holder In-Line series



Part No: KLS5-713



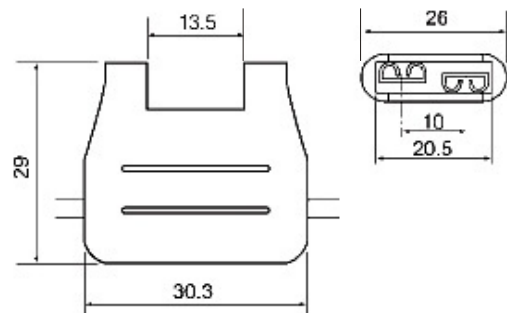
Suitable fuse: Mini auto plug-in sheet fuse

Description :

Feature Water Splashproof type
 Applicable For ATC blade fuse
 Electrical Rated for currents up to 30A
 Insulating Body PVC
 Contacts Brass
 Note Custom wire length and wire AWG 12#~20# are available.
 Please specify wire gauge. Spring, terminal and wire are available on request



Part No: KLS5-713B



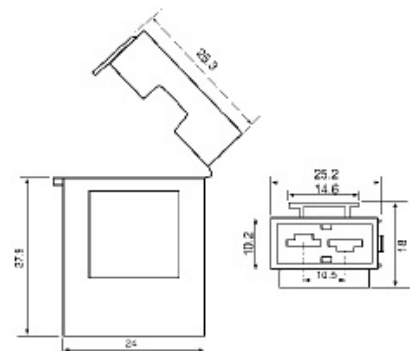
Suitable fuse: Medium auto plug-in sheet fuse

Description :

Applicable For ATC blade fuse
 Electrical Rated for currents up to 30A insulated wire for rated 3A to 30A
 Insulating Body Nylon
 Contacts Brass
 Note Custom wire length and wire AWG 10#~20# are available.
 Please specify wire gauge. Spring, terminal and wire are available on request



Part No: KLS5-714



Suitable fuse: Medium auto plug-in sheet fuse

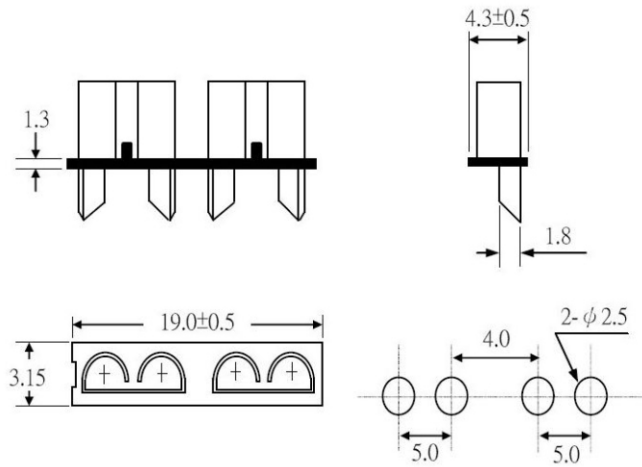
Description :

Applicable For ATC blade fuse
 Electrical Rated for currents up to 30A
 Insulating Body Black Nylon (U type)
 Contacts Brass
 Note Custom wire length and wire AWG 10#~20# are available.
 Please specify wire gauge. Spring, terminal and wire are available on request.

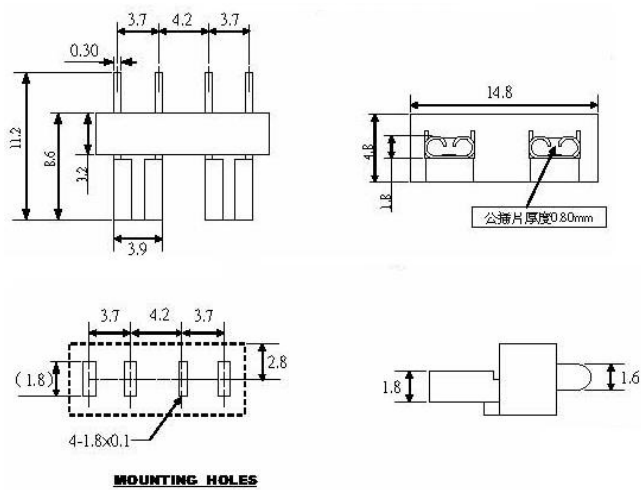
Blade fuse holder



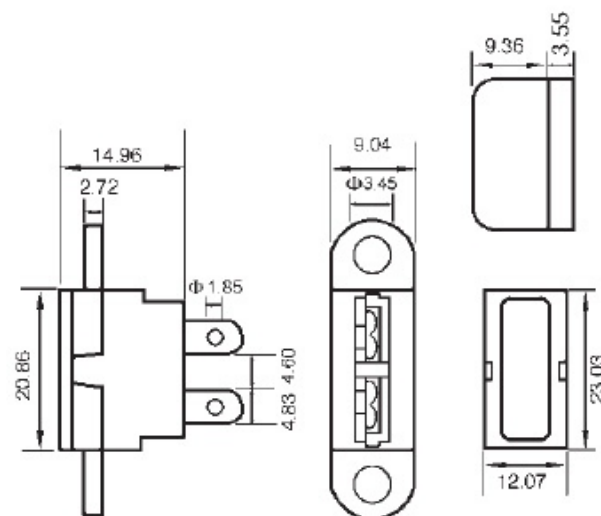
Part No: KLS5-718B



Part No: KLS5-717B



Part No: KLS5-701



Blade fuse holder



Part No: KLS5-706

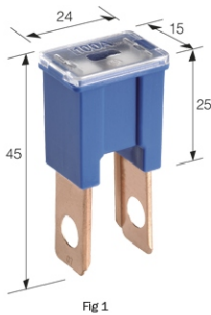
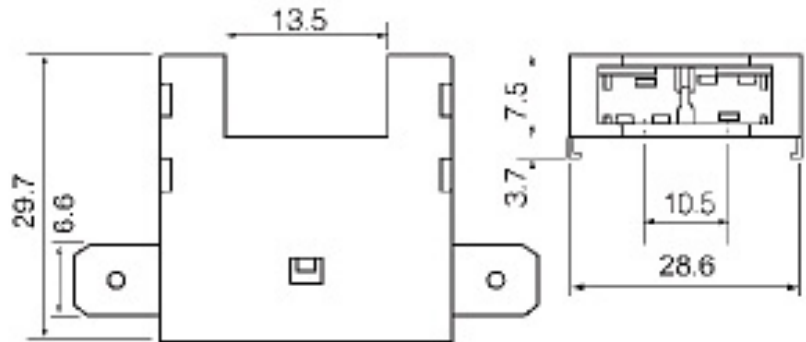


Fig 1

Part No: KLS5-228M

Appliance Lamp Holder	Rated Current	Color
KLS5-228-M-20A	20	Criterion white
KLS5-228-M-30A	30	pink
KLS5-228-M-40A	40	green
KLS5-228-M-50A	50	red
KLS5-228-M-60A	60	yellow
KLS5-228-M-70A	70	brown
KLS5-228-M-80A	80	black
KLS5-228-M-100A	100	blue
KLS5-228-M-100A	100	blue