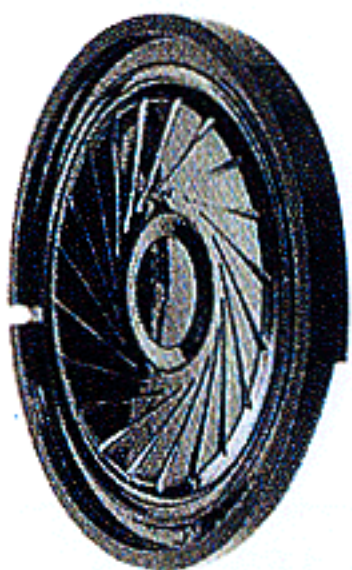
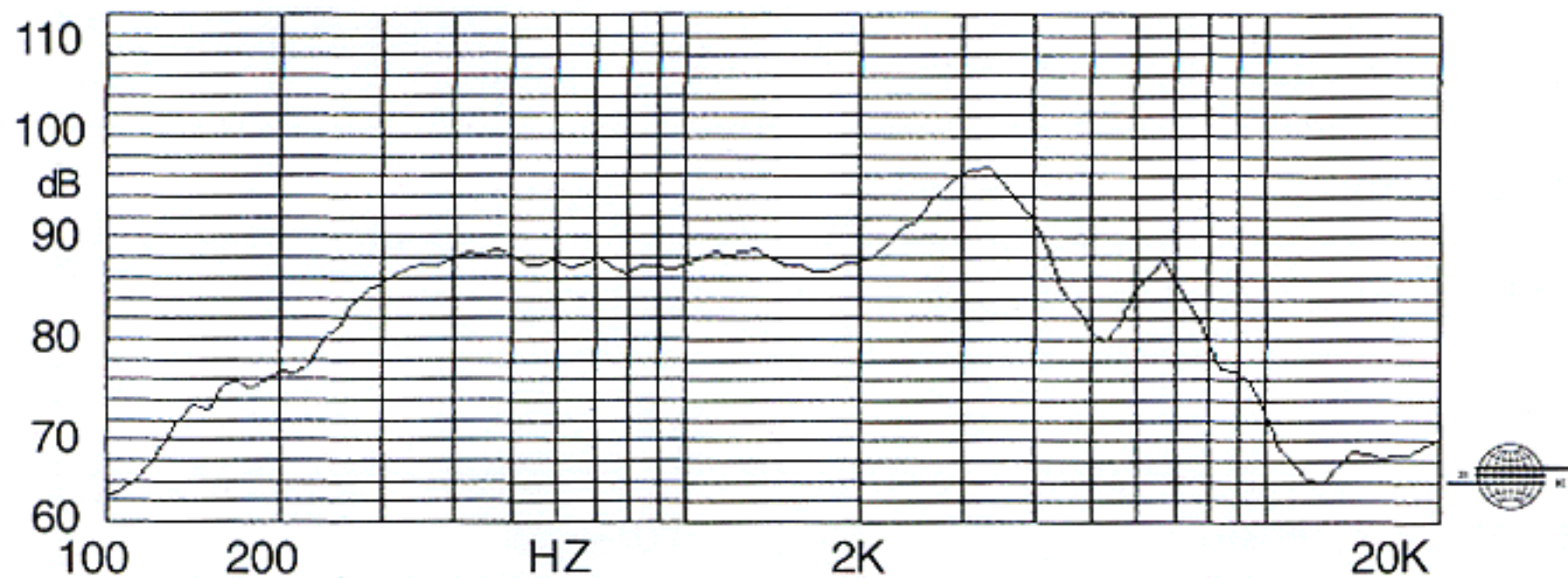


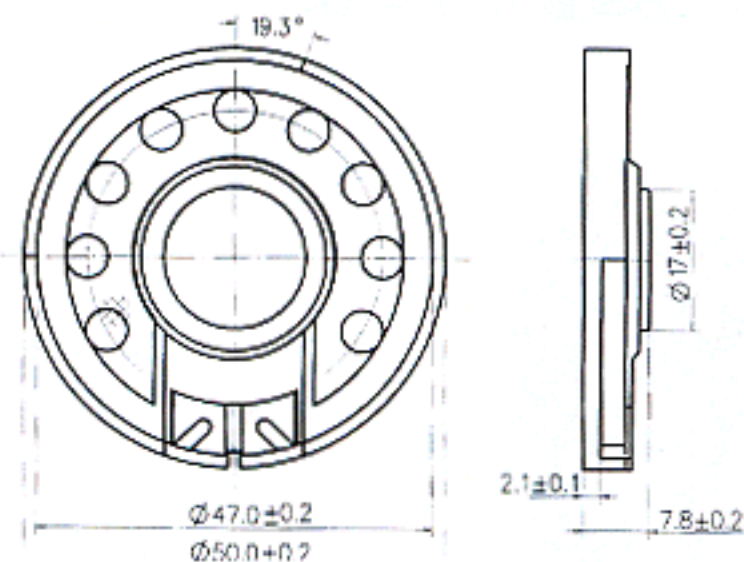
YDB50-11



FREQUENCY RESPONSE



DIMENSIONS



SPECIFICATIONS

Rated Impedance	Ω	50 ± 15%
Rated(Max.)Power	W	0.2(0.4)
Resonance Frequency	Hz	350 ± 20%
Rated Freq.Range	Hz	f ₀ ~3500
Sound Pressure Level	dB	85 ± 3
Magnet	g	1.1
Operating Temperature	°C	-10~+40