

Industrial pressure transmitter

REF: 92086

PT124B-214 Series Pressure transmitter Flush diaphragm

Features

- Low cost, long life
- With the guarantee time one year
- Stainless steel wetted parts
- Excellent resistance to corrosive
- With Flush mounting
- Various signal output
- OEM process to fit application of the customers



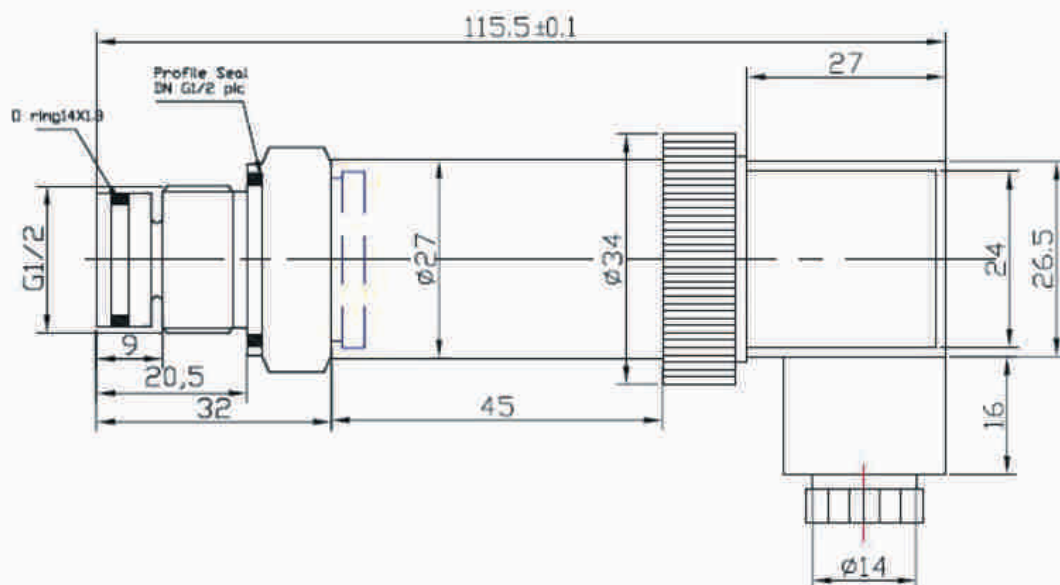
Description

PT124B-214 Series industrial pressure transmitter with flush diaphragm, and it improves frequency response and has excellent cleanability, this model can offer reliable and accurate pressure measurement of the gases, viscous liquids and slurries. And for the electrical part, it adopts high performance chips, and deal with the special amplified chip, integrative configuration, and smart profile.

Specification

Ranges: -100KPa~0KPa~2000bar
Combined error: $\pm 0.25\%FS$; $\pm 0.5\%FS$
Output: 4~20mA, 0.5-4.5V, 0~5V, 0~10V
Input voltage: 24 (10~36) VDC, 5VDC
Operating temperature: $-40^{\circ}C \sim 125^{\circ}C$ ($104^{\circ}F \sim 257^{\circ}F$)
Zero blance: $\pm 5.0\%$ Full scale
Over pressure: $1.5 \times FSO$
Electric connection: Shield cable or Hirschmann connector
Process connection: G1/4, M20 \times 1.5, 1/4NPT (Customized)
Cover material: 304,316 stainless steel

Dimensions

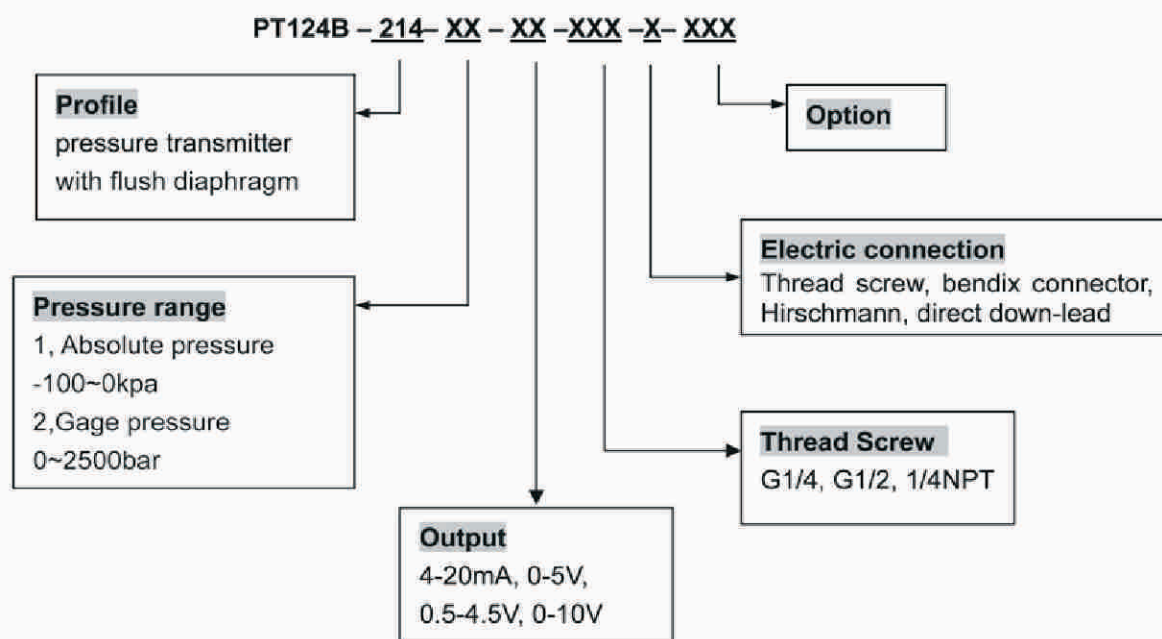


Wiring code and ordering guide

● Standard wiring code

Models	Lead	Color	
Output:4-20mA Hirschmann DIN43650	1 ,Excitation +/- Signal +	Red	
	2, Excitation +/- Signal -	Black	

● Ordering Guide



Example: PT124B-214-700bar-4-20mA-G1/2

Pressure range as customers required (-100kpa-0-2500bar optional), accuracy maybe affected if non-standard are used. For additional-options please consult with factory .