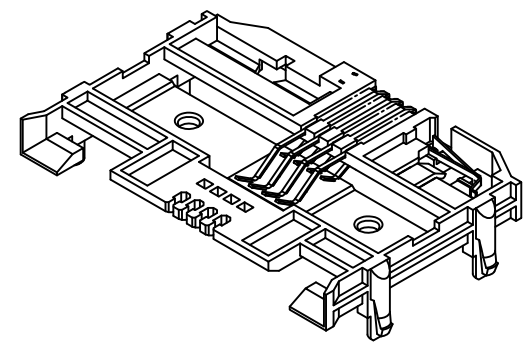
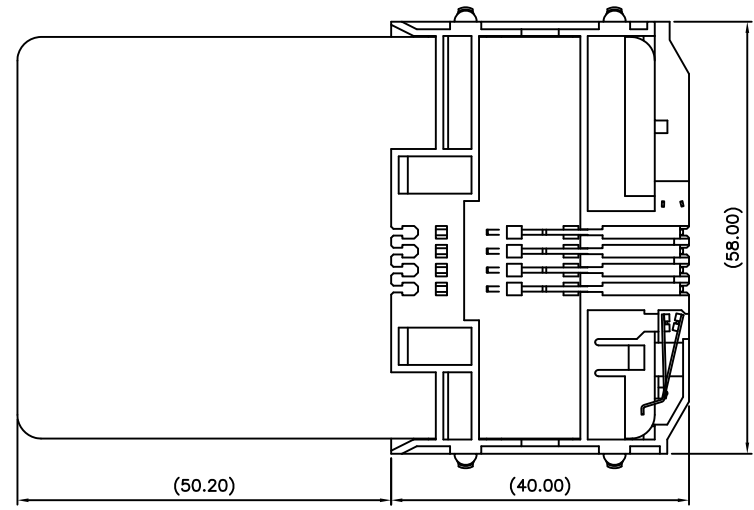
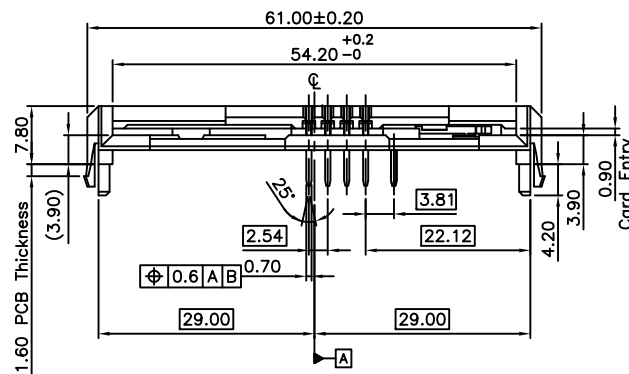


- Material and Finish:**
1. Insulator Material: PBT+30%GF, UL94V-0, Black.
 2. Contact Material: Phosphor Bronze
 3. Contact Area Plated: 3u" Gold Plated Over Nickel
 4. Solder Area Plated: 100u" Tin
 5. Contact Electrical:
 - 5.1 Insulation Resistance: 1,000 Mohms
 - 5.2 Contact Resistance: 100m ohms Max.
 - 5.3 Current rating: 10 uA Min/1 A Max.
 - 5.4 Dielectric strength : 750 Vrms min.
 6. Switch Electrical:
 - 6.1 Contact Resistance: 100m ohms Max.
 - 6.2 Current rating: 1 mA Min/10mA Max.
 - 6.3 Maximum Power : 0.2 VA.
 7. Card Detection Switch : Normal Close
 8. Mechanical life: 30,000 cycle min.
 9. Distance from lower card entrance & PCB 3.9mm
 10. Operation Temperature: -20°C To +70°C

PRODUCT NUMBER:
 116E-D C C 0-R
 1 2 3

1. Type
D: Through Hole Type
2. Contact Plating
C: 3u" Gold Plating
3. Card Detector
C: Normal Close



						UNLESS OTHERWISE SPECIFIED TOLERANCE			 www.attend.com.tw	
						ANGLES	ANG.	±5°		
						LINEAR		0.	±0.3	
								0.0	±0.25	
								0.00	±0.20	
						SCALE	AS SHOWN	UNIT: mm		
						DRAWN	Willis	2012/08/03	DRAWN NAME:	
						CHECKED	Angel	2012/08/03	Smart Card Socket Reverse Type	
						APPROVED	Ken	2012/08/03	PRODUCT NO.	116E-DCC0-R
REV.	DESCRIPTION		DATE	REV.	DESCRIPTION		DATE	SIZE	REV.	FILE NAME
1				4				A4	1.0	116E-DCC0-R_B_1