
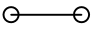
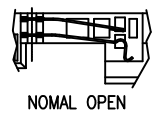
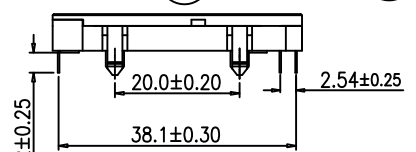
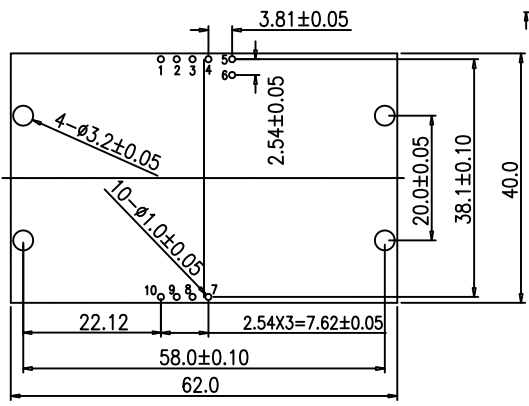
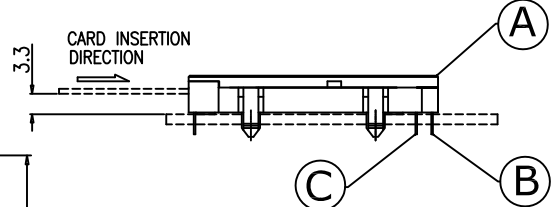
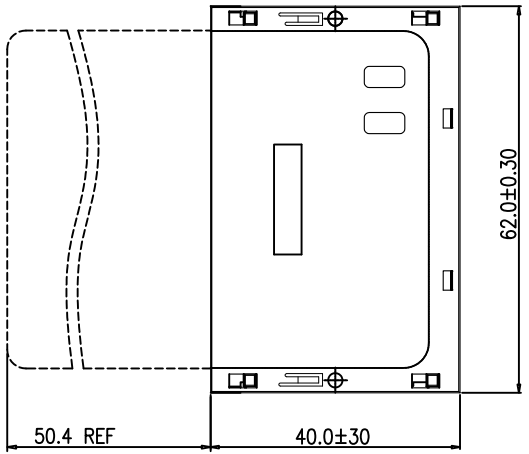
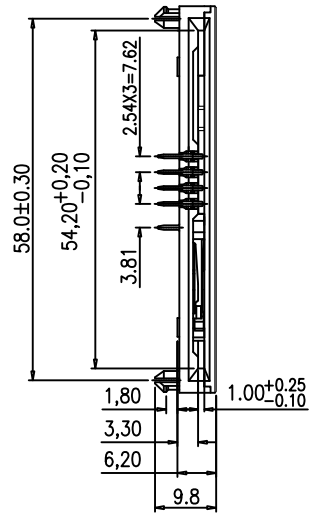


SWITCH CIRCUIT			MATERIAL AND FINISH AS BELOW						
WHEN CARD IS EJECTED		WHEN CARD IS INSERTED	A	Housing	PBT UL94V-0 Black	E			
			B	Contact	Phosphor Bronze C5191 Contact Area:3u" Gold, Solder Area:Tin Plating	F			
			C	Switch	Phosphor Bronze C5191, Contact Area:Gold Flash	G			
						H			



**SPECIFICATION:**

**1. ELECTRICAL**

- 1.1 Current Rating: 1.0A
- 1.2 Voltage Rating: 100V AC/DC
- 1.3 Contact Resistance: 50mΩ
- 1.4 Insulation Resistance: 1000MΩ
- 1.5 Dielectric Withstanding Voltage: 500VDC

**2. MECHANICAL**

- 2.1 Durability: 10000 Cycle

**3. ENVIRONMENTAL**

- 3.1 Operating temperature range: -40°C~+85°C
- 3.2 Storage temperature range: -40°C~+85°C

**4. SOLDER ABILITY**

- 4.1 Recommended IR Reflow Temperature: 260°C

P1	P2	P3	P4	P5	P6	P7	P8	P9	P10	P11	P12
----	----	----	----	----	----	----	----	----	-----	-----	-----

**PIN ASSIGNMENT**

116B-DBO0-R02	Smart Card Socket, Nomal Open DIP Type, Contact Area:3u" Gold
PRODUCT NO.	DESCRIPTION

UNLESS OTHERWISE SPECIFIED TOLERANCE		
ANGLES	ANG.	±5°
LINEAR	0.	±0.3
	0.0	±0.25
	0.00	±0.20
SCALE	AS SHOWN	UNIT: mm
DRAWN	Willis	2013/09/24
CHECKED	Angel	2013/09/24
APPROVED	Ken	2013/09/24



www.attend.com.tw

DRAWN NAME: Smart Card Socket, Nomal Open DIP Type

PRODUCT NO. 116B-DBO0-R02

REV.	DESCRIPTION	DATE	REV.	DESCRIPTION	DATE