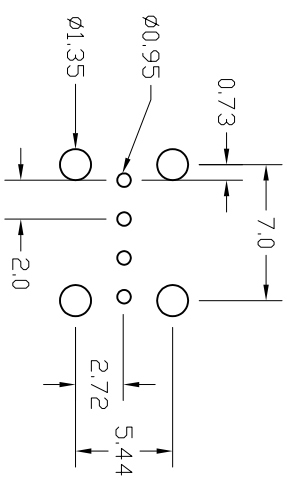
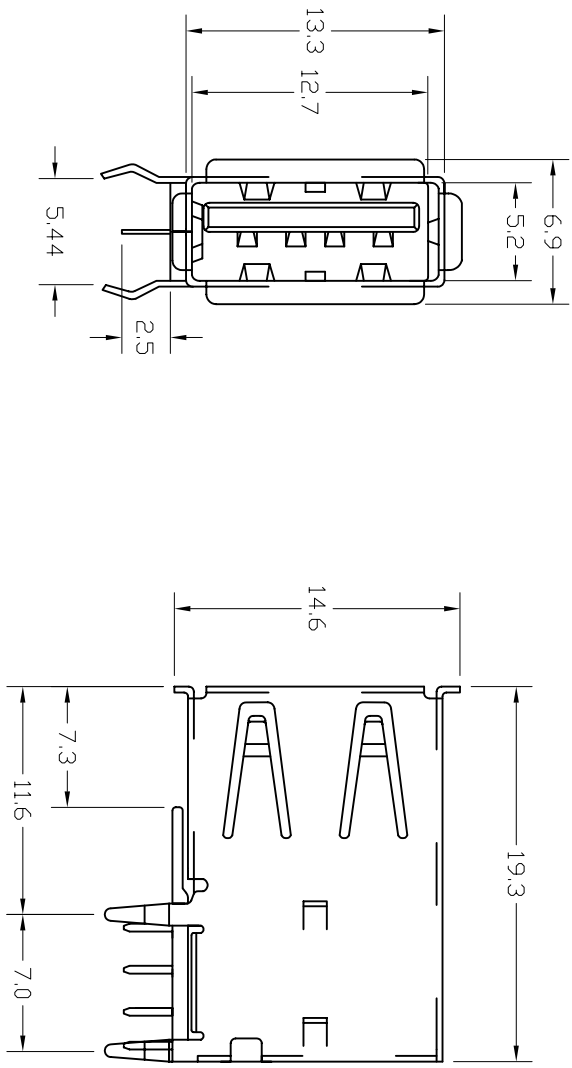


Rev	AWO #	Description	Date	Appr
-		RELEASED	6/16/05	

APPROVED: \_\_\_\_\_  
 DATE: \_\_\_\_\_ TITLE: \_\_\_\_\_



RECOMMENDED  
PCB LAYOUT

# ADAM TECH

909 Railway Avenue, Union, NJ 07083  
 Phone: 908-687-5000 Fax: 908-687-5710

TITLE: USB, TYPE A, RIGHT ANGLE UPRIGHT  
 THRU-HOLE, GOLD FLASH

SIZE	PART NO.	REV.
X	USB-A-S-RU	-
REF:	SCALE: NTS	SHEET 1 OF 1

UNLESS OTHERWISE SPECIFIED ALL DIMENSIONS ARE INCHES [MM]	
TOLERANCES EXCEPT AS NOTED	HOLE
.X ± .10	ØX ± .10
.XX ± .020	ØXX ± .015
.XXX ± .015	ØXXX ± .010
APPROVALS	DATE
DRAWN SS	6/16/05
CHECKED	
APPROVED	

**SPECIFICATIONS:**  
**Material:**  
 Insulator: PBT, glass reinforced, rated UL 94V-0  
 Insulator color: Black  
 Contacts: Phosphor Bronze  
 Shell: Brass, Tin plated over Copper underplate  
**Plating:**  
 Gold flash over Nickel underplate on mating area, Tin over  
 Copper underplate on solder tails  
**Electrical:**  
 Operating voltage: 30V AC max  
 Current rating: 1 Amp max  
 Contact resistance: 30 mohms max  
 Insulation resistance: 100 Mohms min  
 Dielectric withstanding voltage: 250V AC Max.  
**Temperature Rating:**  
 Operating temperature: -40°C to +85°C  
**Environmental:**  
 Lead free, RoHS compliant  
 Recommended soldering temp: 230°C for 5 seconds



# Mouser Electronics

Authorized Distributor

Click to View Pricing, Inventory, Delivery & Lifecycle Information:

[ADAM TECH:](#)

[USB-A-S-RU](#)