
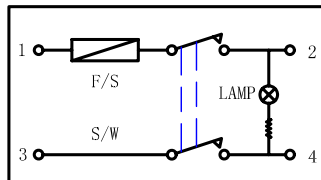


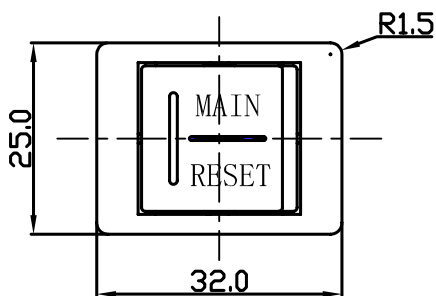
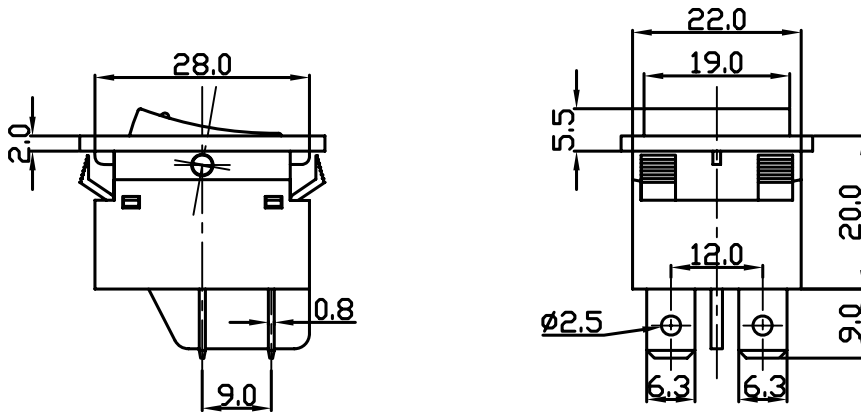
- * Product Name: Double Pole Rocker Switch With Circuit Protector;
- * Model No: YST-01
- * Voltage Resistance: 2000VAC, 1MIN; China, Korean Patent
- * Operating Temperature: T85
- * Electrical Life: more than 10,000cycles
- * Contact Rating: EK: 15A 250VAC

KNOB COLOR	BLACK; RED; GREEN; ORANGE; BLUE; ...
BASE COLOR	GRAY; BLACK; WHITE; ...
KNOB SHAPE	TYPE C: 
Illuminate	YST-01 2P2T 4P

Wiring Diagram



YST-01 On-Off (Illuminate)



Panel Installation Size

