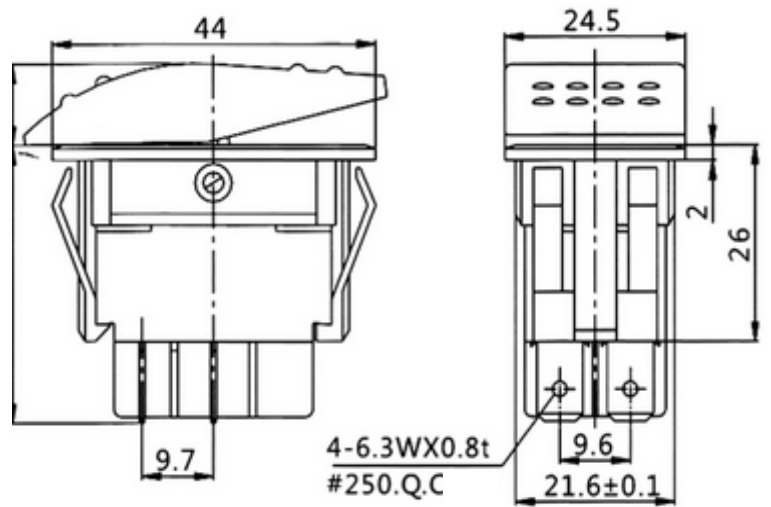




ZIP-2002.ru



Item	RK1-06 Rocker Switch
Function	on-off

---Production Specification---

Rating	250VAC 16A
Contact Resistance	100MΩ Max
Dielectric Strength	1500VAC/ 5S for terminal and terminal. 3000VAC 5s for terminal and ground
Operating Temperature	-25~85°C
Insulated Resistance	500VDC, 100MΩ Min
Electrical Life	≥10,000 cycles
Pins (Terminals)	4 pins
Housing Material	PA66
Button Material	PC