

# 汽车开关

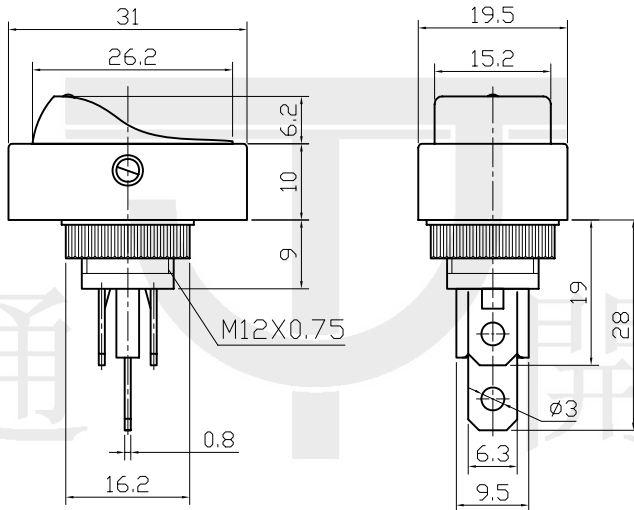
## Automobile Switch

型号(TYPE): ASW-20D

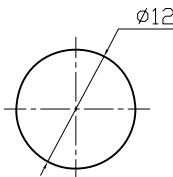
### 技术特性 (Specification)

- 规格 (Rating): 20A 12V DC
- 接触电阻 (Contact R): 50mΩ max
- 绝缘电阻 (Insulation R): 500V DC 100MΩ min
- 耐电压 (Dielectric Strength): 1 Minute 1500V AC
- 操作温度 (Operating Temperature): -25°C ~ +85°C
- 电气寿命 (Electrical Life): 10,000 Cycles

### 外型图 (Outline Drawing)



### 安装尺寸 (Mounting)



### 电路图 (Circuitry)

