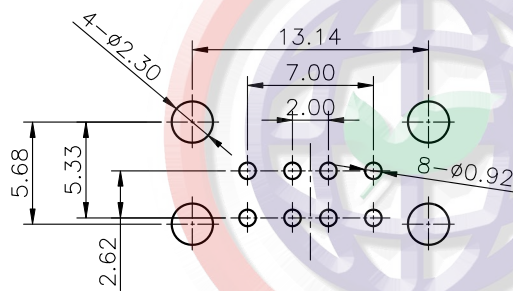
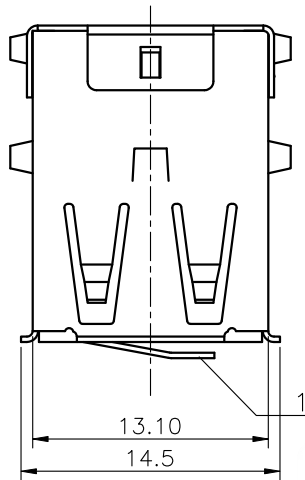


REV.	DESCRIPTION	DRAWN	CHECKED	APPROVED
A	NEW RELEASE	LJH 05/10/05'		LJC 05/10/05'
B	ARRANGE DRAWING	JLZ 04/15/15'		



RECOMMEND PCB LAYOUT
TOLERANCE=±0.05

NOTES:

- SPECIFICATIONS:
 - CONTACT RESISTANCE:30mΩ max.
 - INSULATOR RESISTANCE:1000MΩ min.AT DC 500V.
 - CURRENT RATING:1.5A.
 - VOLTAGE RATING:30VDC.
 - DIELECTRIC STRENGTH:AC 500V FOR 1 Minute.
- MATERIALS:
 - HOUSING:PBT+30% GLASS FIBER(UL 94 V-0).
 - CONTACT:COPPER ALLOY
 - SHELL:COPPER ALLOY.
- PRODUCT NUMBER CODE:
DS1096 - X X X X

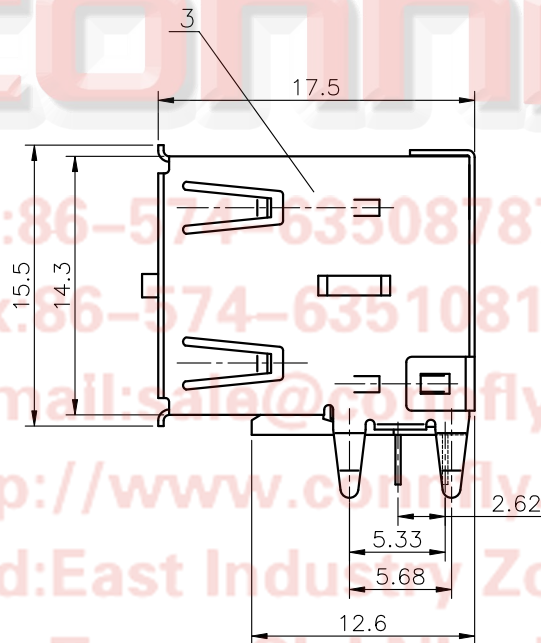
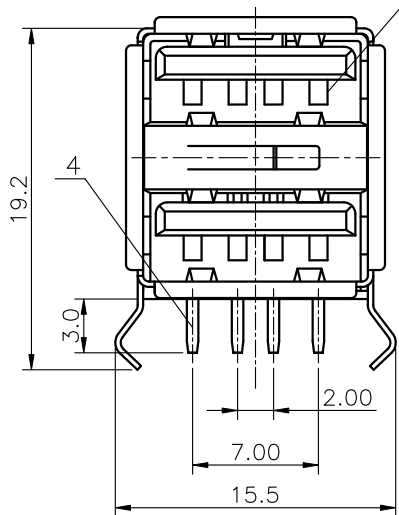
SHELL TYPE
S: W/ shrapnel
X: W/O shrapnel

CONTACT Plating
0: Selective Gold flash
03: Selective Gold 3u"
30: Selective Gold 30u"

SHELL Plating
N: Nickel
6: Tin

COLOR OF HOUSING:
W: WHITE
B: BLACK

PRODUCTS SERIES:
DS1096 series



CONNFLY
Tel:86-574-63508787
Fax:86-574-63510817
E-mail:sales@connfly.com
http://www.connfly.com
Add:East Industry Zone KuangYan
Town Cixi Ningbo China
P:0215333

				GENERAL TOLERANCE	ANGLE TOLERANCE	PROJECTION		TITLE	USB DUAL 8 PIN RECEPTALCE RIGHT ANGLE TYPE	
4	CONTACT		COPPER ALLOY	SEE NOTES	X. ±0.60 .X ±0.38 .XX ±0.25	X. ±5° .X ±3° .XX ±2°	UNITS	mm	SHEET SIZE	A4
3	SHELL		COPPER ALLOY	SEE NOTES			SHEET SIZE	A4	SERIES	DS1096 SERIES
2	HOUSING		PBT	UL 94 V-0	DRAWING TYPE	CUSTOMER		晨翔电子有限公司 CONNFLY CONNFLY ELECTRONIC CO. LTD		
1	SHRAPNEL		COPPER ALLOY	Nickel Plated	SCALE	1:1	SHEET			
ITEM	PART NAME	PART NO.	MATERILAS	FINISHED	DRAWING NO.	C-DS1096-XXXX-B				