

**Constant voltage JLV-12030KA / JLV-24030KA 30W 12V&24V**



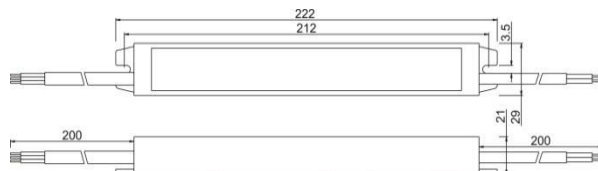
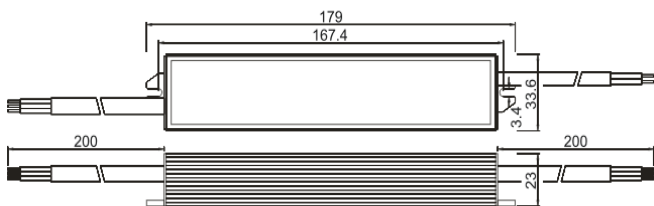
ISO9001: 2008



Type A: Size: 180\*34\*23mm



Type B: 222\*29\*21mm



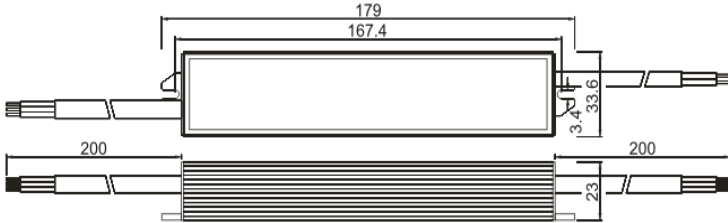
Type A is shorter, but wider and higher

Type B is longer, but more slim

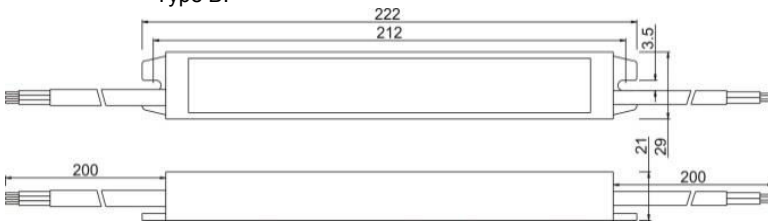
Model		JLV-12030KA	JLV-24030KA
OUTPUT	RATED CURRENT	2.5A	1.25A
	DC VOLTAGE RANGE	12V	24V
	RATED POWER	30W	30W
	RIPPLE & NOISE (NOTE.2)	<100mV	<100mv
	VOLTAGE TOLERANCE	±5%	±5%
	LINE REGULATION	±1%	±1%
INPUT	LOAD REGULATION	±1%	±1%
	INPUT VOLTAGE RANGE	100~250VAC	100~250VAC
	INPUT FREQUENCY RANGE	47~63HZ	47~63HZ
	EFFICIENCY (TYP)	>82%	>82%
	AC CURRENT	Max. 0.37A@220V	Max. 0.30A@220V
PROTECTION	LEAKAGE CURRENT	3mA	3mA
	OVER CURRENT	1.4~1.8A	0.7~0.9A
	OVER CURRENT PROTECTION TYPE	Hiccup mode, recovers automatically after fault condition is removed	
	SHORT CIRCUIT PROTECTION TYPE	Hiccup mode, recovers automatically after fault condition is removed.	
ENVIRONMENT	OVER TEMPERATURE	Ambient temperature 60°C+	Ambient temperature 60°C+
	OT PROTECTION TYPE	Protection type : Shut down o/p voltage, recovers automatically after temperature goes down	
	WORKING TEMPERATURE	-30°C~50°C	-30°C~50°C
	WORKING HUMIDITY	10~99%RH	10~99%RH
	STORAGE TEMP., HUMIDITY	-40°C~70°C	-40°C~70°C
SAFETY & EMC	TEMP. COEFFICIENT	±0.03%/°C (0~50°)	±0.03%/°C (0~50°C)
	VIBRATION	10 ~ 500Hz, 2G 12min./1cycle, period for 72min. each along X, Y, Z axes	
	SAFETY STANDARDS	EN61347-1:2000/EN61347-2:2006	
	WITHSTAND VOLTAGE	I/P-O/P:3.75KVAC I/P-FG:1.88KVAC O/P-FG:0.5KVAC	
	ISOLATION RESISTANCE	I/P-O/P:100M Ohms/500VDC/25°C/70%RH	
	EMI CONDUCTION & RADIATION	EN55015,Class B	
OTHERS	HARMONIC CURRENT	Compliance to EN61000-3-2 Class C ( 75% load ) ; EN61000-3-3	
	EMS IMMUNITY	Compliance to EN61000-4-2,3,4,5,6,8,11; ENV50204, EN55024,EN61547, light industry level, criteria A	
NOTES	DIMENSION(L*W*H)	Type A: 180*34*23mm	Type B: 222*29*21mm
	PACKING	Net Weight 260G, 50 pcs per carton. Gross Weight 13.5KG/carton	
<p>1. All parameters NOT specially mentioned are measured at 230VAC input, rated load and 25 of ambient temperature.                  2. Ripple &amp; noise are measured at 20MHz of bandwidth by using a 12" twisted pair-wire terminated with a 0.1uf &amp; 47uf parallel capacitor.                  3. Tolerance : includes set up tolerance, line regulation and load regulation.                  4. For LED related applications, constant current operation region is within 70% ~100% rated output voltage, but please reconfirm special electrical requirements for some specific system design.</p>			

## Mechanical Specification

Type A:



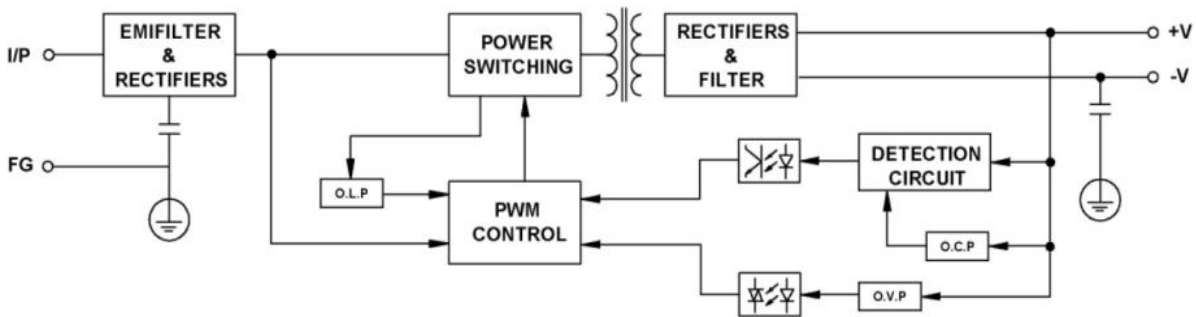
Type B:



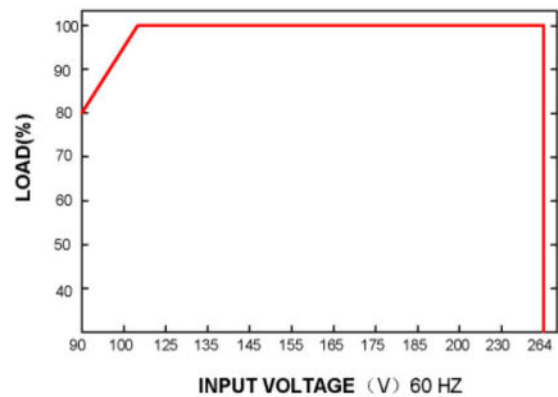
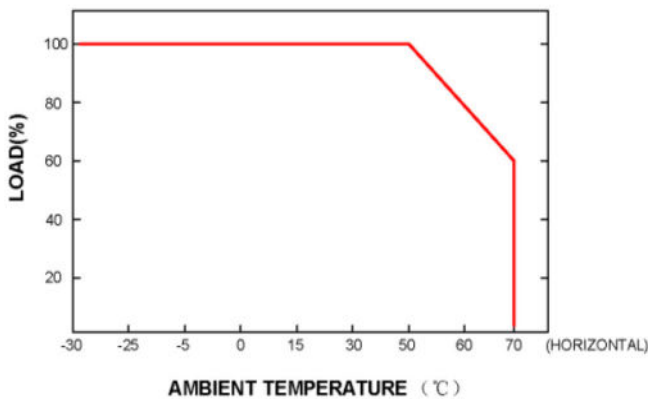
Model: JLV-12030KA/JLV-24030KA  
Constant voltage 30W 12V&24V

\*12V version with black input cable  
\*24V version with grey input cable

## Block Diagram



## Derating Curve (left) & Static Characteristics (right)



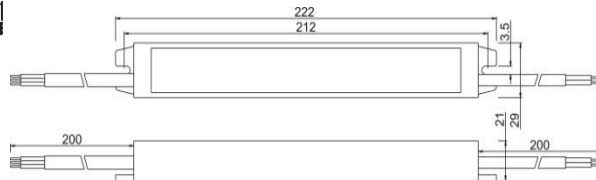
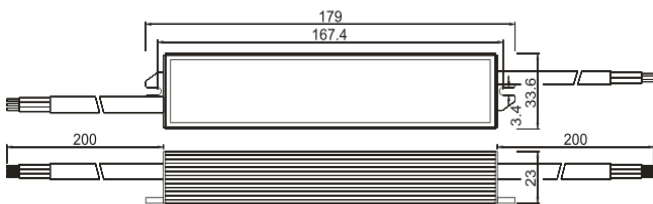
|

**Constant voltage JLV-12030KA / JLV-24030KA 30W 12V&24V**



Type A: Size: 180\*34\*23mm

Type B: Size: 222\*29\*21mm



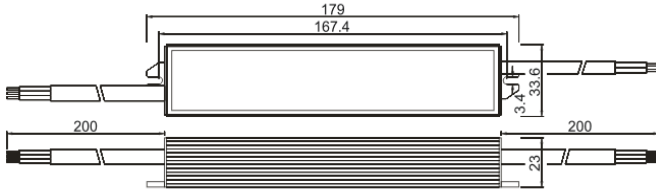
Type A is shorter, but wider and higher

Type B is longer, but more slim

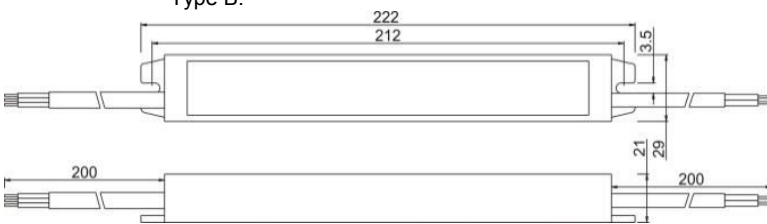
	Model	JLV-12030KA	JLV-24030KA
<b>OUTPUT</b>	RATED CURRENT	2.5A	1.25A
	DC VOLTAGE RANGE	12V	24V
	RATED POWER	30W	30W
	RIPPLE & NOISE (NOTE.2)	<100mV	<100mV
	VOLTAGE TOLERANCE	±5%	±5%
	LINE REGULATION	±1%	±1%
	LOAD REGULATION	±1%	±1%
<b>INPUT</b>	INPUT VOLTAGE RANGE	100~250VAC	100~250VAC
	INPUT FREQUENCY RANGE	47~63HZ	47~63HZ
	EFFICIENCY (TYP)	>82%	>82%
	AC CURRENT	Max. 0.37A@220V	Max. 0.30A@220V
	LEAKAGE CURRENT	3mA	3mA
<b>PROTECTION</b>	OVER CURRENT	1.4~1.8A	0.7~0.9A
	OVER CURRENT PROTECTION TYPE	Hiccup mode, recovers automatically after fault condition is removed	
	SHORT CIRCUIT PROTECTION TYPE	Hiccup mode, recovers automatically after fault condition is removed.	
	OVER TEMPERATURE	Ambient temperature 60°C+	Ambient temperature 60°C+
	OT PROTECTION TYPE	Protection type : Shut down o/p voltage, recovers automatically after temperature goes down	
<b>ENVIRONMENT</b>	WORKING TEMPERATURE	-30°C~50°C	-30°C~50°C
	WORKING HUMIDITY	10~99%RH	10~99%RH
	STORAGE TEMP., HUMIDITY	-40°C~70°C	-40°C~70°C
	TEMP. COEFFICIENT	±0.03%/°C (0~50°)	±0.03%/°C (0~50°C)
	VIBRATION	10 ~ 500Hz, 2G 12min./1cycle, period for 72min. each along X, Y, Z axes	
<b>SAFETY &amp; EMC</b>	SAFETY STANDARDS	EN61347-1:2000/EN61347-2:2006	
	WITHSTAND VOLTAGE	I/P-O/P:3.75KVAC I/P-FG:1.88KVAC O/P-FG:0.5KVAC	
	ISOLATION RESISTANCE	I/P-O/P:100M Ohms/500VDC/25°C/70%RH	
	EMI CONDUCTION & RADIATION	EN55015,Class B	
	HARMONIC CURRENT	Compliance to EN61000-3-2 Class C ( 75% load ) ; EN61000-3-3	
	EMS IMMUNITY	Compliance to EN61000-4-2,3,4,5,6,8,11; ENV50204, EN55024,EN61547, light industry level, criteria	
<b>OTHERS</b>	DIMENSION(L*W*H)	Type A: 180*34*23mm	Type B: 222*29*21mm
	PACKING	Net Weight 260G, 50 pcs per carton. Gross Weight 13.5KG/carton	
<b>Notes</b>	<p>1. All parameters NOT specially mentioned are measured at 230VAC input, rated load and 25 of ambient temperature.</p> <p>2. Ripple &amp; noise are measured at 20MHz of bandwidth by using a 12" twisted pair-wire terminated with a 0.1uf &amp; 47uf parallel capacitor.</p> <p>3. Tolerance : includes set up tolerance, line regulation and load regulation.</p> <p>4. For LED related applications, constant current operation region is within 70% ~100% rated output voltage, but please reconfirm special electrical requirements for some specific system design.</p>		

## Mechanical Specification

Type A:

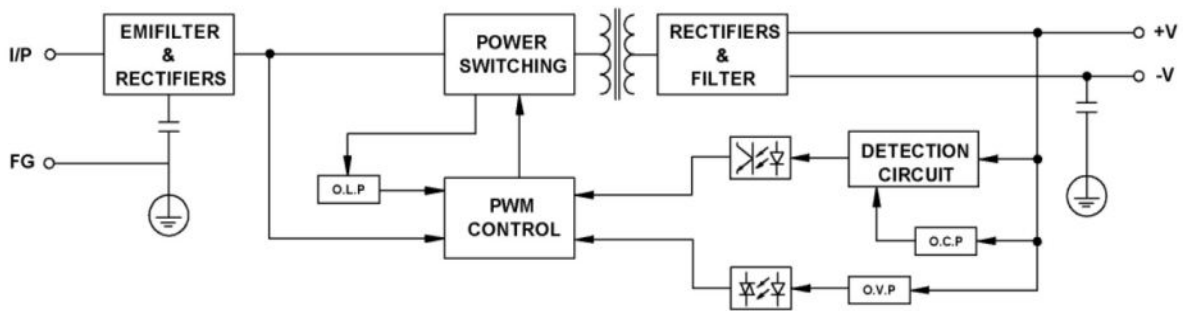


Type B:



Model: JLV-12030KA/JLV-24030KA  
 Constant voltage 30W 12V&24V

## Block Diagram



## Derating Curve (left) & Static Characteristics (right)

