

Constant voltage JLV-12018KA / JLV-24018KA 18W 12V&24V



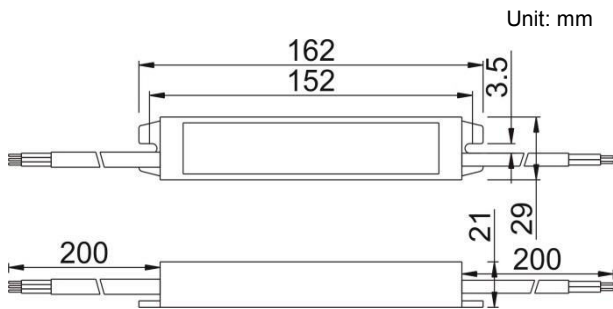
Size: 162*29*21mm

Features:

1. Compact size, aluminium housing
2. High efficiency professional IC for LED
3. Wide input range (100~250VAC)
4. Stable constant voltage output
5. Waterproof IP67
6. 100% burn-in tested
7. Super cooling design, long life span
8. Overload/short circuit protection
9. Proven reliable quality

Model		JLV-12018KA	JLV-24018KA
OUTPUT	RATED CURRENT	1.5A	0.75A
	DC VOLTAGE RANGE	12V	24V
	RATED POWER	18W	18W
	RIPPLE & NOISE (NOTE.2)	<100mV	<100mv
	VOLTAGE TOLERANCE	±5%	±5%
	LINE REGULATION	±1%	±1%
	LOAD REGULATION	±1%	±1%
INPUT	INPUT VOLTAGE RANGE	100~250VAC	100~250VAC
	INPUT FREQUENCY RANGE	47~63HZ	47~63HZ
	EFFICIENCY (TYP)	>81%	>82%
	AC CURRENT	Max. 0.18A@220V	Max. 0.17A@220V
	LEAKAGE CURRENT	5mA	5mA
PROTECTION	OVER CURRENT	1.6~2.0A	0.8~1.0A
	OVER CURRENT PROTECTION TYPE	Hiccup mode, recovers automatically after fault condition is removed	
	SHORT CIRCUIT PROTECTION TYPE	Hiccup mode, recovers automatically after fault condition is removed.	
	OVER TEMPERATURE	Ambient temperature 60°C+	Ambient temperature 60°C+
	OT PROTECTION TYPE	Protection type : Shut down o/p voltage, recovers automatically after temperature goes down	
ENVIRONMENT	WORKING TEMPERATURE	-30°C~50°C	-30°C~50°C
	WORKING HUMIDITY	10~99%RH	10~99%RH
	STORAGE TEMP., HUMIDITY	-40°C~70°C	-40°C~70°C
	TEMP. COEFFICIENT	±0.03%/°C (0~50°)	±0.03%/°C (0~50°C)
	VIBRATION	10 ~ 500Hz, 2G 12min./1cycle, period for 72min. each along X, Y, Z axes	
SAFETY & EMC	SAFETY STANDARDS	EN61347-1:2000/EN61347-2:2006	
	WITHSTAND VOLTAGE	I/P-O/P:3.75KVAC I/P-FG:1.88KVAC O/P-FG:0.5KVAC	
	ISOLATION RESISTANCE	I/P-O/P:100M Ohms/500VDC/25°C/70%RH	
	EMI CONDUCTION & RADIATION	EN55015,Class B	
	HARMONIC CURRENT	Compliance to EN61000-3-2 Class C (75% load) ; EN61000-3-3	
	EMS IMMUNITY	Compliance to EN61000-4-2,3,4,5,6,8,11; ENV50204, EN55024,EN61547, light industry level, criteria A	
OTHERS	DIMENSION(L*W*H)	162*29*21mm	162*29*21mm
	PACKING	160g/pc, 100pcs/carton, Gross Weight 18KG/carton	
Notes	1. All parameters NOT specially mentioned are measured at 230VAC input, rated load and 25 of ambient temperature. 2. Ripple & noise are measured at 20MHz of bandwidth by using a 12" twisted pair-wire terminated with a 0.1uf & 47uf parallel capacitor. 3. Tolerance : includes set up tolerance, line regulation and load regulation. 4. For LED related applications, constant current operation region is within 70% ~100% rated output voltage, but please reconfirm special electrical requirements for some specific system design.		

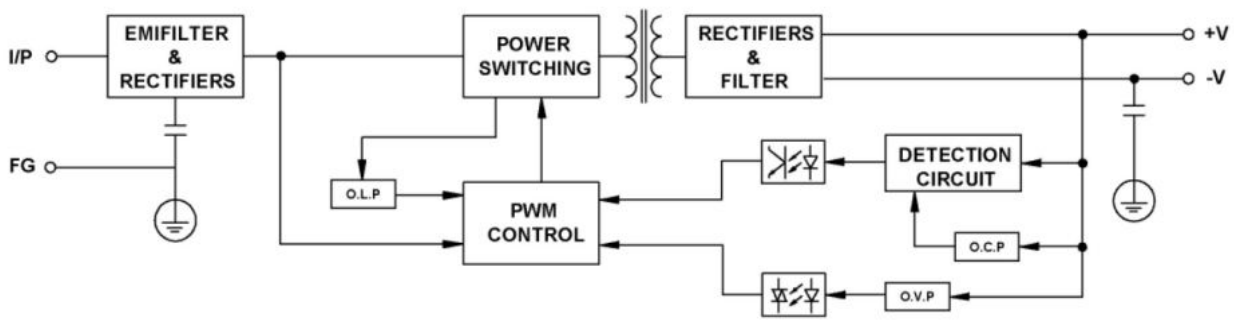
Mechanical Specification



Model: JLV-12018KA/JLV-24018KA
 Constant voltage 18W 12V&24V

*12V version with black input cable
 *24V version with grey input cable

Block Diagram



Derating Curve (left) & Static Characteristics (right)

