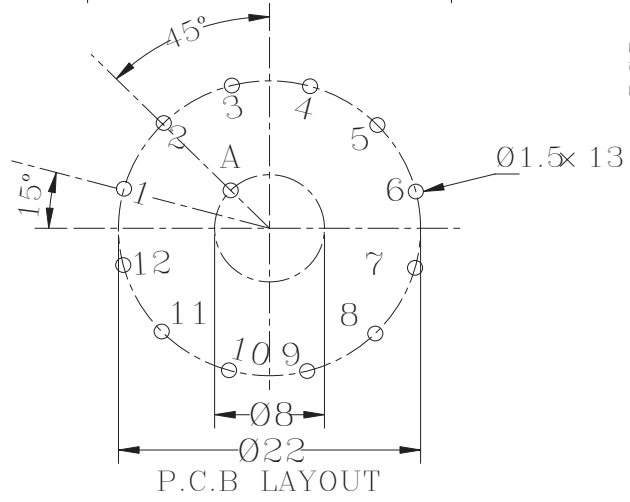
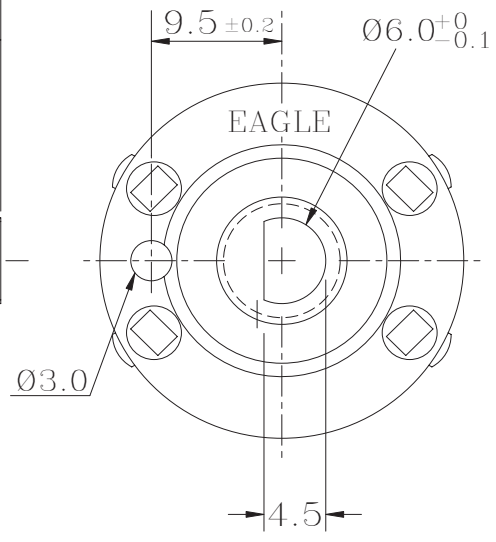
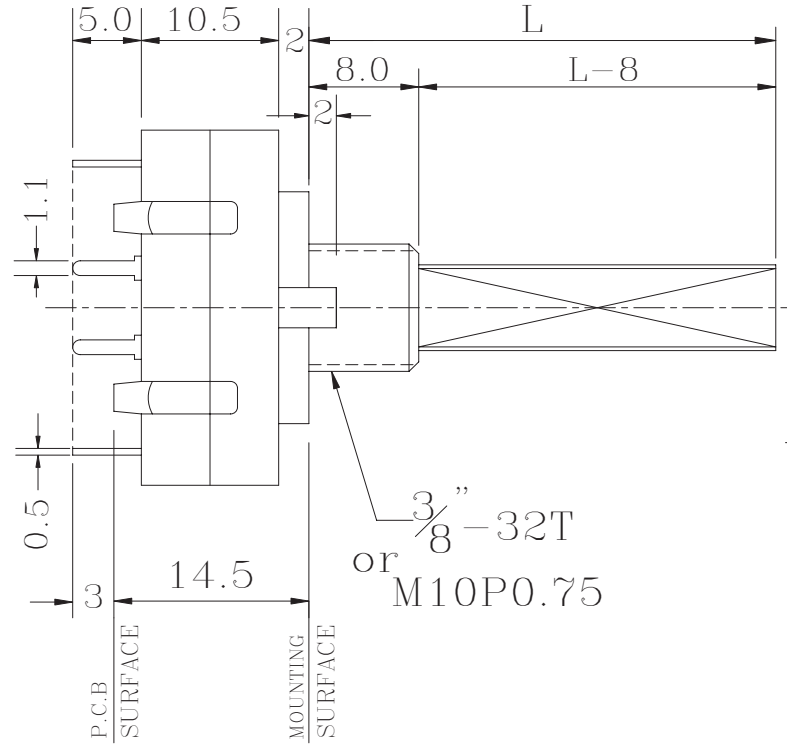
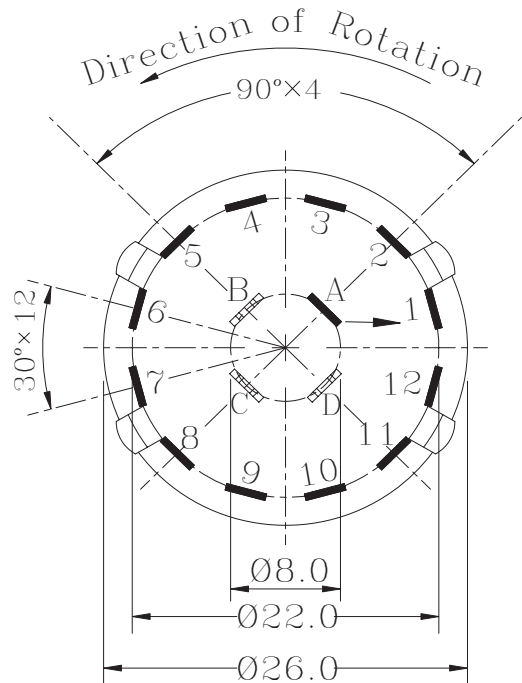


嘉尼企業股份有限公司 CANAL ELECTRONIC CO., LTD.

L: 14F, 18F, 22F, 38F



- A. The contact's timing both shorting and non-shorting are available
- B. The 12 position stop and non-stop are available
- C. Wiring terminals are available

REVISION	DESCRIPTION	REVISED BY	TOLERANCES .X±0.5 .XX		ANGLE 1/2°	UNIT	mm	PART NAME	SR26 SPEC DRAWING	DWG NO
△			DRAWN BY	Alice	DESIGNED BY	Eric	SCALE		(index 30 degrees)	WS0333A
△			CHECKED BY		APPROVED BY		DATE	2006.05.09	PART NO	
△	2006.05.09 換新圖框, 重新出圖	吳美玉							SR26 1-1-12P(360 degrees) F06*4.5	