

SPECIFICATION

Customer : Quartz-1

Applied To :

Product Name : Mechanical Buzzer

Model Name : KPMB-G2303L-K7727


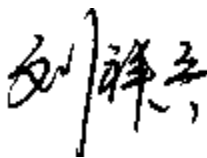
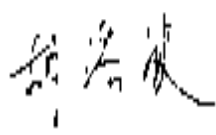
Drawing No. : OEM7727R

Compliance with ROHS(本品符合ROHS指令)

Signature of Approval

--

Signature of KEPO

Approved by	Checked by	Issued by	Date
			2011.02.21

宁波凯普电子有限公司



Ningbo Kepo Electronics Co.,Ltd.

宁波东钱湖镇东钱湖工业区宝源路 25 号

TEL:+86-574-88370330 FAX:+86-574-88370329

No.25 Baoyuan road Dongqian Lake, Industry Area, Dongqian town,Ningbo City,
China(Post Code:315121)

Sales@chinaacoustic.com www.chinaacoustic.com

Specification for Mechanical Buzzer		Page	2/10
Model No. : KPMB-G2303L-K7727		Revision No.	1.0
		Drawing No.	OEM7727R

CONTENTS

1. Scope
范围
2. General
概要
3. Electrical and Acoustic Characteristics.
电声参数
4. Reliability Test
可靠性试验
5. Measurement Block Diagram & Response curve
测试图和曲线图
6. Structure
结构
7. Dimensions
尺寸
8. Packing
包装
9. Revision
履历表

Specification for Mechanical Buzzer		Page	3/10
Model No. : KPMB-G2303L-K7727		Revision No.	1.0
		Drawing No.	OEM7727R

1. Scope

This product specification is applied to the Mechanical Buzzer in alarm systems. Please contact us when using this product for any other applications than described in the above.

本规格书适用于机械式蜂鸣器，通常它用在系统中做报警或提示的蜂鸣器用，如果将该产品用于其它领域，请与我们联系。

2. General

2.1 Out-Diameter : 23×17mm

外径: 23×17 mm

2.2 Height : 15mm

高度: 15 mm

2.3 Weight : 10 g.

重量: 10克

2.4 Case Material /Color : ABS/Black

壳体材质/颜色: ABS/黑

3. Electrical and Acoustic Characteristics.

Test condition : 15 ~ 35 °C , 25% ~ 85% RH, 860~1060 mbar

测试条件: 15~35 °C , 25%~85%RH , 860~1060mbar

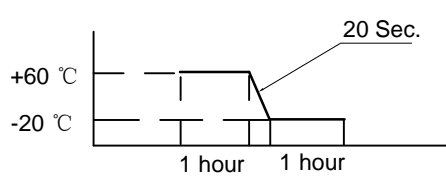
	Items 项目	Specification 规格
1	Operating Temperature Range 工作温度范围	-20 ~ +60°C
2	Storage Temperature Range 储存温度范围	-30 ~ +70°C
3	Rated Voltage 额定电压	3VDC
4	Operating Voltage 工作电压	2~5VDC
5	Max. Rated Current 额定电流	25mA/3VDC
6	Resonant Frequency 谐振频率	400± 100Hz
7	Min. Sound Pressure Level 额定声压	75dB/3VDC/20cm
8	Tone Nature 音调	Continuous (直音)

Specification for Mechanical Buzzer		Page	4/10
Model No. : KPMB-G2303L-K7727		Revision No.	1.0
		Drawing No.	OEM7727R

4. Reliability Test

After test(1~6item), the Buzzer S.P.L . difference shall be within $\pm 10\text{dB}$, Frequency difference shall be within $\pm 0.5\text{KHz}$. and the appearance not exist any change to be harmful to normal operation(e.g. cracks,rusts,damages and especially distortion).

在1-6项试验后，蜂鸣器的声压变化值在 $\pm 10\text{dB}$ 之内，频率变化在 $\pm 0.5\text{KHz}$ 之内。外观无变化（例如：开裂、生锈、损伤、变形等现象）。

	Item	Specification
1	High Temperature Test 高温试验	<p>After being woked in a chamber with $+60\pm 2\text{ }^\circ\text{C}$ for 2h and then being placed in natural condition for 2h, sounder shall be measured.</p> <p>将产品置于 $+60\pm 2\text{ }^\circ\text{C}$ 试验箱中，先工作 2小时，然后在正常大气压条件下恢复2小时后，进行测量</p>
2	Low Temperature Test 低温试验	<p>First being worked in a chamber with $-20\pm 2\text{ }^\circ\text{C}$ for 2h and then being placed in a chamber with $-20\pm 2\text{ }^\circ\text{C}$ for 16h, finally being placed in natural condtion for 2h, sounder shall be measured.</p> <p>将产品置于 $-20\pm 2\text{ }^\circ\text{C}$ 试验箱中，先工作 2小时，再放置16小时，然后在正常大气压条件下恢复2小时后，进行测量</p>
3	Humidity Test 潮湿试验	<p>After being placed in a chamber with 90 to 95%R.H. at $+40\pm 2\text{ }^\circ\text{C}$ for 2 h and then being placed in natural condition for 2h , sounder shall be measured.</p> <p>将产品置于湿度为 90~95%R.H，温度为$40\pm 2\text{ }^\circ\text{C}$试验箱中 2小时，然后在正常大气压条件下恢复2小时后，进行测量</p>
4	Thermal Shock Test 热冲击试验	<p>After being worked in a chamber at $+60\pm 2\text{ }^\circ\text{C}$ for 1 hour, then sounder shall be placed in a chamber at $-20\pm 2\text{ }^\circ\text{C}$ for 1 hour(1 cycle is the below diagram).</p> <p>After 6 above cycles, sounder shall be measured after being placed in natural condition for 1 hour.</p> <p>将产品置于$+60\pm 2\text{ }^\circ\text{C}$试验箱中，先工作1小时，然后将产品置于$-20\pm 2\text{ }^\circ\text{C}$试验箱中，再工作1小时，经过6个循环后，在正常大气压条件下恢复1小时，进行测量</p> 

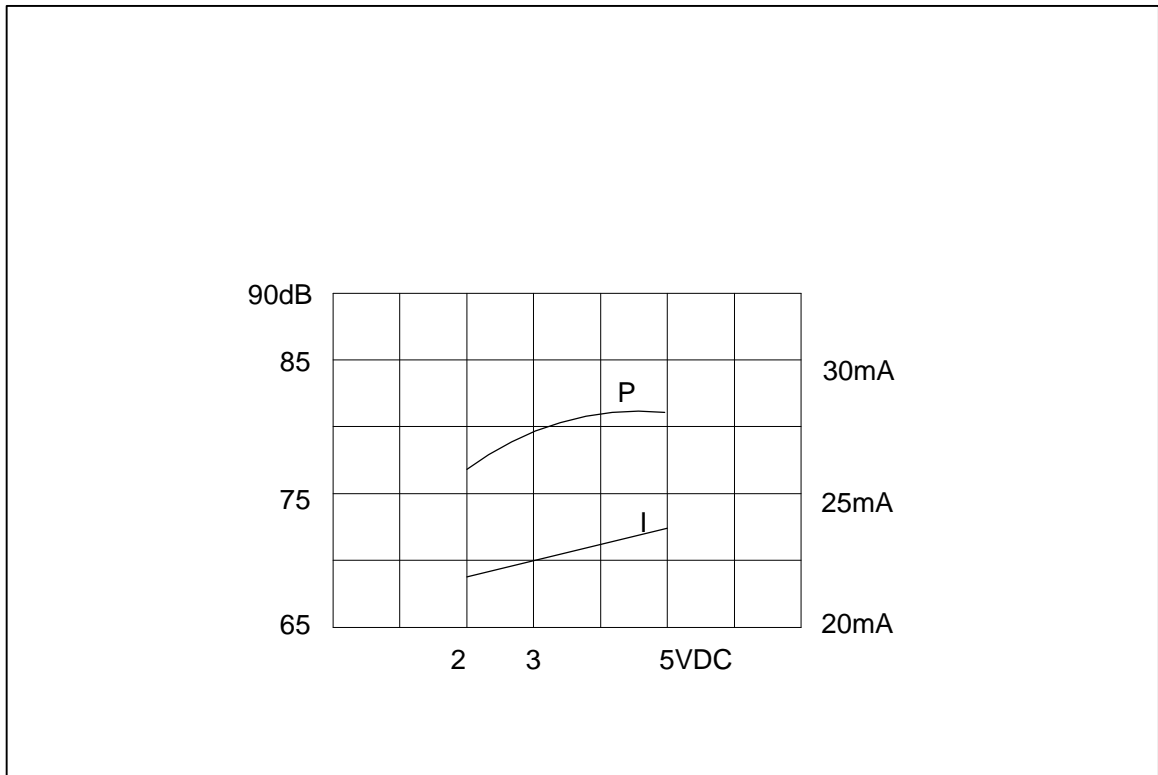
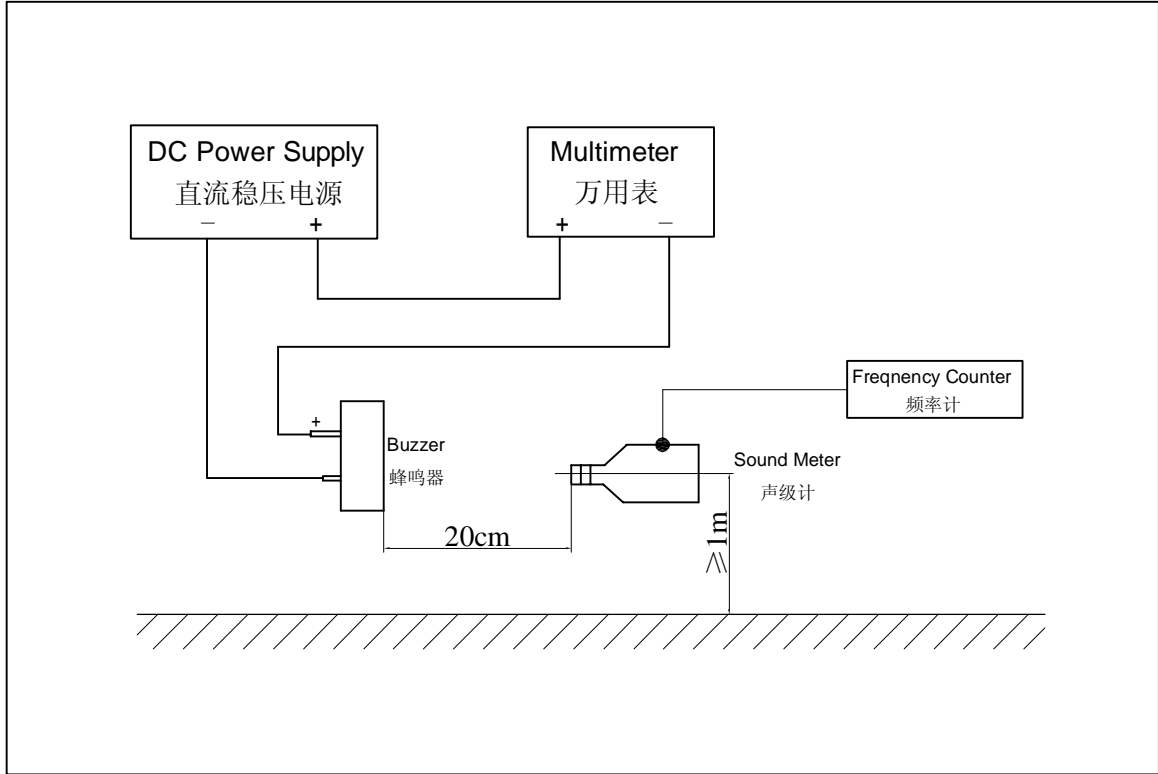
Specification for Mechanical Buzzer		Page	5/10
Model No. : KPMB-G2303L-K7727		Revision No.	1.0
		Drawing No.	OEM7727R

4. Reliability Test

	实验项目 Item	实验条件 Test Condition	实验后规格 Specification
5	耐冲击性 Shock	<p>峰值加速度 490m/s^2, 半正弦波, XYZ三个方向各3次冲击实验后, 进行测试.</p> <p>Sounder shall be measured after being applied shock(490m/s^2) for each three mutually perpendicular directions to each of 3 times by half sine wave.</p>	<p>符合表1的要求</p> <p>The measured value shall meet Table 1.</p>
6	耐振动性 Vibration Resistant	<p>振动频率 10~30 Hz, 1.5mm 全振幅, XYZ三个方向各2小时试验后, 进行测试.</p> <p>Sounder shall be measured after being applied vibration of amplitude of 1.5mm with 10 to 30Hz band of vibration frequency to each of 3 perpendicular directions for 2 hours.</p>	

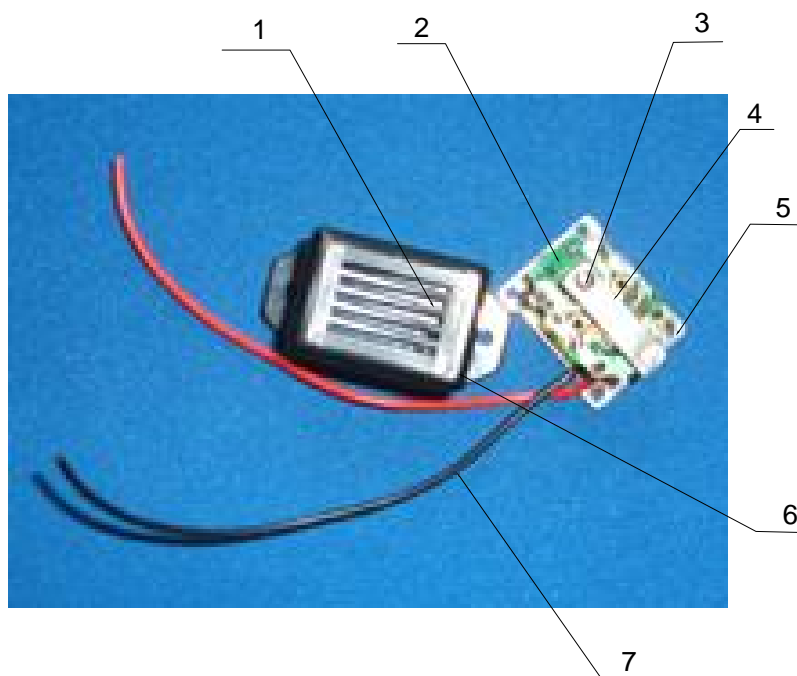
Specification for Mechanical Buzzer		Page	6/10
		Revision No.	1.0
Model No. :	KPMB-G2303L-K7727	Drawing No.	OEM7727R

5. Measurement Block Diagram & Response curve



Specification for Mechanical Buzzer		Page	7/10
		Revision No.	1.0
Model No. : KPMB-G2303L-K7727	Drawing No.		OEM7727R

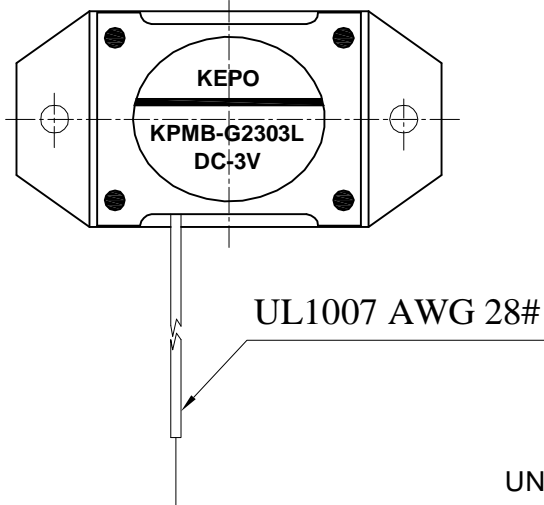
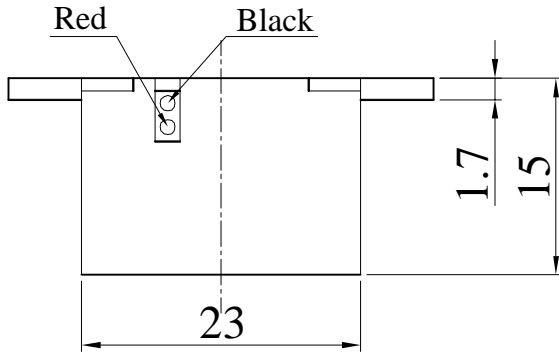
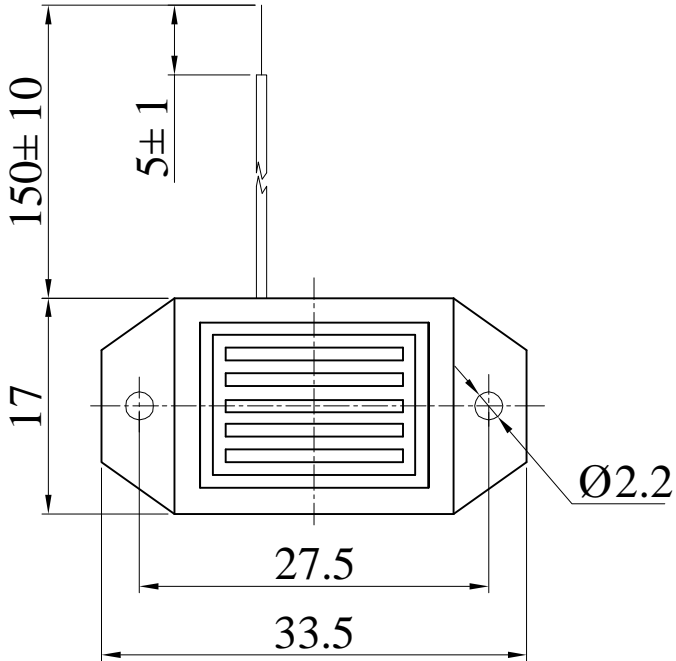
6. Structure



7	Case 引线	2	/	
6	Case 壳体	1	ABS	
5	T Core T 铁	1	Fe	
4	Coil 线圈	1	QA	
3	Magnetic ring 磁块	1	/	
2	PCB 印制板	1	/	
1	Diaphragm 膜片	1	/	
No.	Part Name 型号	Q'TY	Material 材质	SGS 编号

Specification for Mechanical Buzzer	Page	8/10
	Revision No.	1.0
Model No. : KPMB-G2303L-K7727	Drawing No.	OEM7727R

7. Dimensions



FIRST ANGLE PROJECTION

UNIT : mm
 Tolerance : ± 0.5

Specification for Mechanical Buzzer	Page	9/10
	Revision No.	1.0
Model No. : KPMB-G2303L-K7727	Drawing No.	OEM7727R

8. Packing



QTY: 6Pcs



QTY:250Pcs



QTY: 3000Pcs
425x400x315mm

