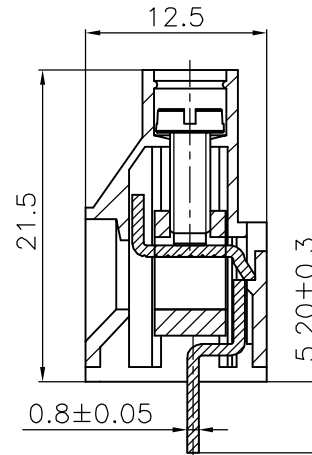
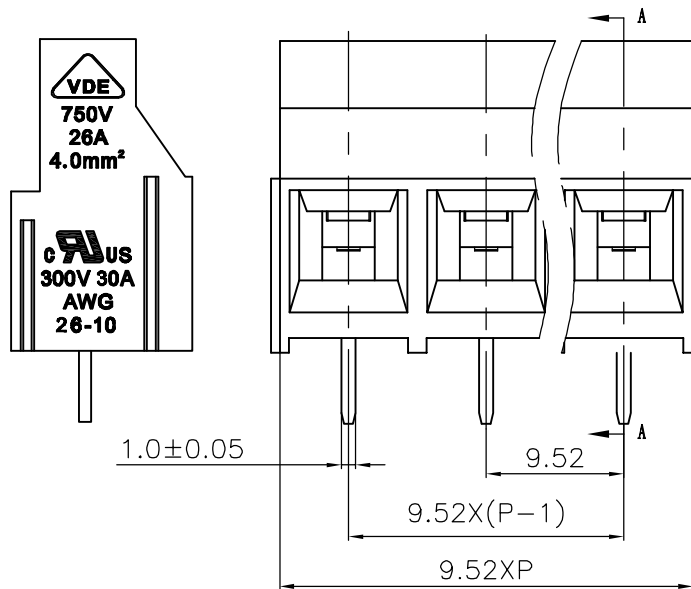
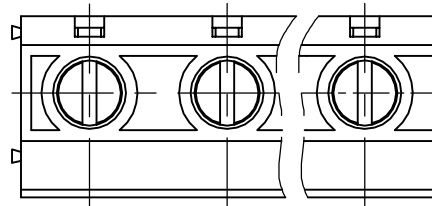


REVISION RECORD				
REV	ECO	DESCRIPTION	DRFT	DATE
△		品名、料号增加环保标示“(H)”	CSX	12/10/07

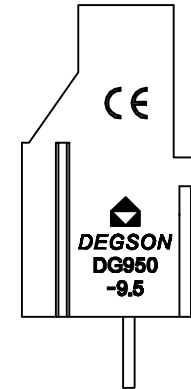
Notes:

1. Pitch: 9.52mm
2. Rated volatge/current: UL 300V/30A
VDE 750V/26A
3. Insulation resistance: 5000MΩ/DC1000V
4. With standing voltage: AC2000V/1Min
5. Wire range: 22-10AWG 4mm²
6. Temp. range: -40° C~+105° C
7. Torque: 5.10kgf.cm
8. Undimensioned Tolerances:

Pitch range in mm		Nominal dimension range in mm					—	
to 6	over 6 to 10	over 10 to 24	to 30	over 30 to 60	over 60 to 100	over 100 to 150	∩ ▽	
±0.10	±0.15	±0.25	±0.2	±0.3	±0.5	±0.7	±1.0	005/10



Section A-A



4	DG950-Pin header	4031B00010(H)	XX	Brass	SnCe
3	DG950 "—"Screws	S000001690(H)	XX	Steel	Cr ³⁺ Zn
2	DG950-Contact	X000000310(H)	XX	Brass	Ni plated

ITEM	NAME OF PART	NO. OF PART	Q'TY	MATERIAL	NOTES
1	DG950-9.5-Housing	4031A0YXXA(H)	1	PA66	UL94V-0

MM (INCH)	DFTO LIN	DATE 05/12/07
TOLERANCES EXCEPT AS NOTED	CHKD	DATE
	MFO	DATE
	APPVL	DATE
MM	MATERIAL :	
.0 ±	G.E :	
.00 ±	FINISH :	
.000 ±	SCALE : 1:1	
ANGLES ± 1°	DO NOT SCALE DRAWING	
THIRD ANGLE PROJECTION	SHEET 1 OF 1	

DEGSON® 宁波高正电子有限公司 DEGSON ELECTRONICS CO., LTD	
NAME DG950-9.5-XXP-1Y-00A(H)	
DRAWING NO. DG950-9.5-E01	SIZE A3
/PART NO.	REV T1 12/10/07