

Constant voltage JLV-12040KA / JLV-24040KA 40W 12V&24V



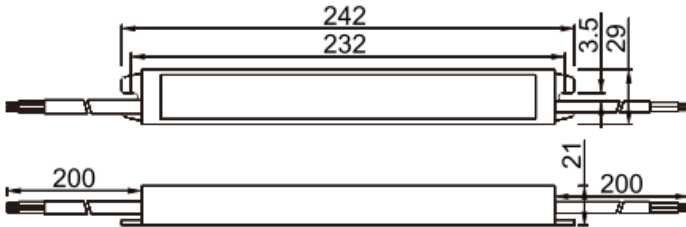
Size: 242*29*21mm

Features:

1. Compact size, aluminium housing
2. High efficiency professional IC for LED
3. Wide input range (100~250VAC)
4. Stable constant voltage output
5. Waterproof IP67
6. 100% burn-in tested
7. Super cooling design, long life span
8. Overload/short circuit protection
9. Proven reliable quality

	Model	JLV-12040KA	JLV-24040KA
OUTPUT	RATED CURRENT	3.33A	1.67A
	DC VOLTAGE RANGE	12V	24V
	RATED POWER	40W	40W
	RIPPLE & NOISE (NOTE.2)	<200mV	<200mv
	VOLTAGE TOLERANCE	±5%	±5%
	LINE REGULATION	±1%	±1%
	LOAD REGULATION	±1%	±1%
INPUT	INPUT VOLTAGE RANGE	100~250VAC	100~250VAC
	INPUT FREQUENCY RANGE	47~63HZ	47~63HZ
	EFFICIENCY (TYP)	>84%	>85%
	AC CURRENT	Max. 0.38A@220V	Max. 0.37A@220V
	LEAKAGE CURRENT	3mA	3mA
PROTECTION	OVER CURRENT	3.8~4.2A	1.8~2.6A
	OVER CURRENT PROTECTION TYPE	Hiccup mode, recovers automatically after fault condition is removed	
	SHORT CIRCUIT PROTECTION TYPE	Hiccup mode, recovers automatically after fault condition is removed.	
	OVER TEMPERATURE	Ambient temperature 65°C+	Ambient temperature 65°C+
	OT PROTECTION TYPE	Protection type : Shut down o/p voltage, recovers automatically after temperature goes down	
ENVIRONMENT	WORKING TEMPERATURE	-30°C~50°C	-30°C~50°C
	WORKING HUMIDITY	10~99%RH	10~99%RH
	STORAGE TEMP., HUMIDITY	-40°C~70°C	-40°C~70°C
	TEMP. COEFFICIENT	±0.03%/°C (0~50°)	±0.03%/°C (0~50°C)
	VIBRATION	10 ~ 500Hz, 2G 12min./1cycle, period for 72min. each along X, Y, Z axes	
SAFETY & EMC	SAFETY STANDARDS	EN61347-1:2000/EN61347-2:2006	
	WITHSTAND VOLTAGE	I/P-O/P:3.75KVAC I/P-FG:1.88KVAC O/P-FG:0.5KVAC	
	ISOLATION RESISTANCE	I/P-O/P:100M Ohms/500VDC/25°C/70%RH	
	EMI CONDUCTION & RADIATION	EN55015,Class B	
	HARMONIC CURRENT	Compliance to EN61000-3-2 Class C (75% load) ; EN61000-3-3	
	EMS IMMUNITY	Compliance to EN61000-4-2,3,4,5,6,8,11; ENV50204, EN55024,EN61547, light industry level, criteria A	
OTHERS	DIMENSION(L*W*H)	242*29*21mm	242*29*21mm
	PACKING	280g/pc, 50pcs/carton, Gross Weight 15KG/carton	
Notes	1. All parameters NOT specially mentioned are measured at 230VAC input, rated load and 25 of ambient temperature. 2. Ripple & noise are measured at 20MHz of bandwidth by using a 12" twisted pair-wire terminated with a 0.1uf & 47uf parallel capacitor. 3. Tolerance : includes set up tolerance, line regulation and load regulation. 4. For LED related applications, constant current operation region is within 70% ~100% rated output voltage, but please reconfirm special electrical requirements for some specific system design.		

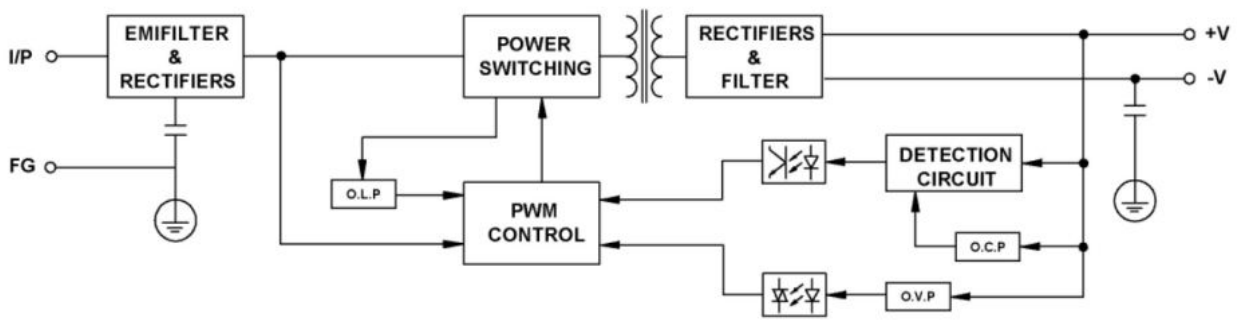
Mechanical Specification



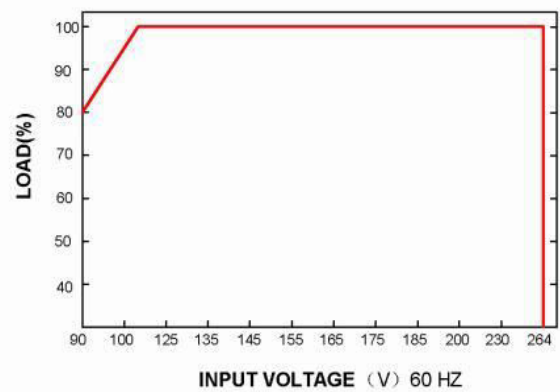
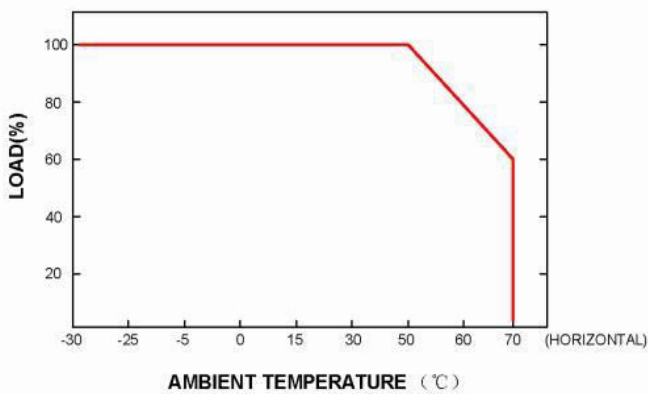
Model: JLV-12040KA/JLV-24040KA
 Constant voltage 40W 12V&24V

*12V version with black input cable
 *24V version with grey input cable

Block Diagram



Derating Curve (left) & Static Characteristics (right)



Visit us: www.zhjb.com