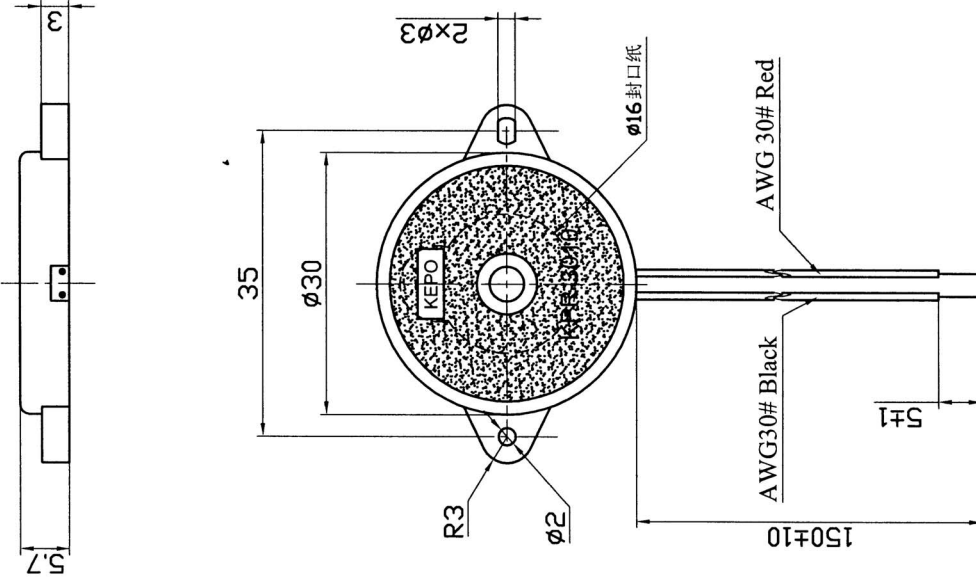
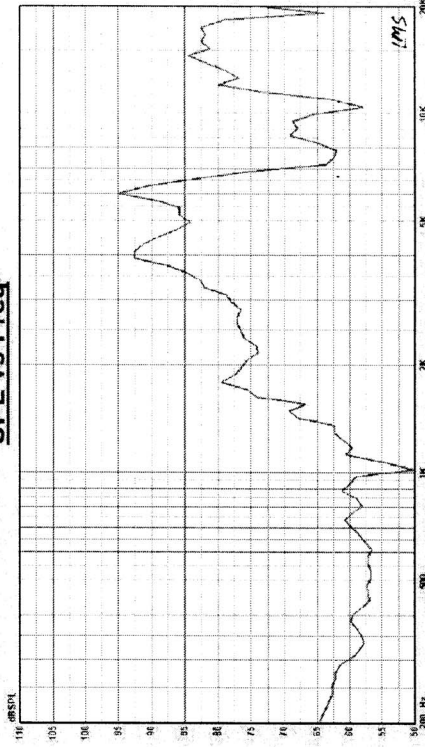


Specifications

1. Rated Voltage.....12Vp-p Square Wave
2. Operating Voltage.....3~30Vp-p Square Wave
3. Max. Rated Current.....4mA
4. Min. Sound Pressure Level.....75dB/30cm
5. Capacitance at 100Hz 45000 ±30%pF
6. Resonant Frequency 1.3±0.5KHz
7. Shell Material/Color.....ABS/Black
8. Operating Temperature.....-20~+60 °C
9. Store Temperature.....-30~+70 °C
10. Weight.....4g



SPL vs Freq



No.		DESCRIPTION		APPROVED	DATE
TOOL ANGLE PROJECTION		APPROVALS		DATE	
DRAWN		CHECKED		APPROVED	
FIRST ANGLE PROJECTION		DATE		08.03.10	
UNIT		DWG NO.		OEM2820	
SCALE		NOT TO SCALE		SHEET	
VER.		1.1		8	

KEPO NINGBO KEPO ELECTRONIC CO.,LTD
<http://www.chinaacoustic.com>

KPR-3010 QUARTZ-1