

SPECIFICATION

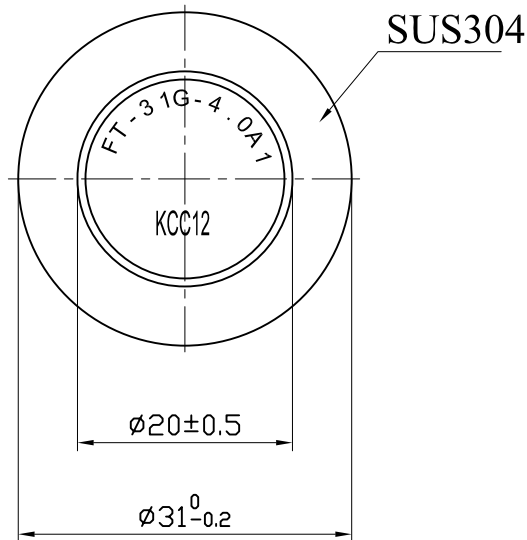
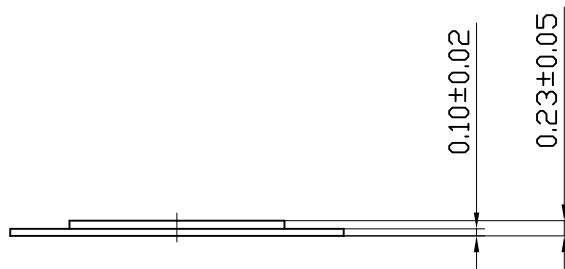
1. SCOPE

This specification is applied to the piezo-element.

2. SPECIFICATION

(at 25°C)

- | | | |
|---------------------------|---|-------------------------|
| 2.1 Resonant Frequency | : | 4.0 ± 0.3 KHz |
| 2.2 Resonant Resistace | : | 500 Ω max |
| 2.3 Capacitance | : | 55000 pF ± 30% at 100Hz |
| 2.4 Input Voltage | : | 30 Vp-p max |
| 2.5 Operating Temperature | : | -20 ~ +60°C |
| 2.6 Storage Temperature | : | -20 ~ +70°C |
| 3. DIMENSION | : | as per figure |

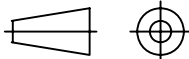


TOLERANCES UNLESS NOTED OTHERWISE

.X ±
.XX ±
.XXX ±

90° FORMED +2°
ANGLES -1°

FIRST ANGLE PROJECTION



DRAWN

DESIGN

CHECKED

APPROVED

DATE

08.06.10

CONTRACT NO.

AGENCY APPROVAL

KEPO MODEL NO.

FT-31G-4.0A1

DWG NO.

KCC12

KEPO CO., LTD.

CUSTOMER

QUARTZ-1

CUSTOMER NO.

VER

1.0

SCALE

UNIT

mm

SHEET

TEL: (+86)574-88370330

FAX: (+86)574-88370329