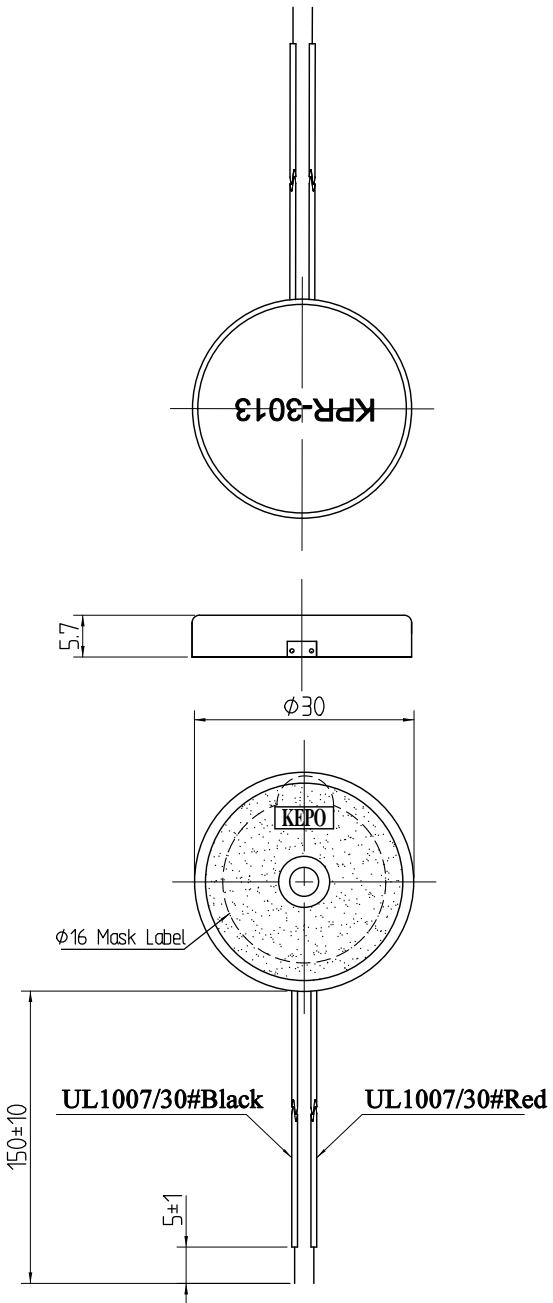


受 控

SPECIFICATION

- 1. Rated Voltage12Vp-p Square Wave
- 2. Max. Allwable Voltage30Vp-p Square Wave
- 3. Max. Rated Current4mA at 1.3KHz/12Vp-p Square Wave
- 4. Min. Sound Pressure Level.....75dB at 1.3KHz/12Vp-p Square Wave/30cm
- 5. Capacitance at 120Hz50000pF±30%
- 6. Resonant Frequency1.3±0.5KHz
- 7. Shell Material/Color.....ABS/Black
- 8. Operating Temperature-20~+60°C
- 9. Store Temperature-30~+70°C
- 10. Weight4g



KEPO NINGBO KEPO ELECTRONIC CO.,LTD http://www.chinaacoustic.com			
Piezo transducer QUARTZ-1 LTD KPR-3013			
No.	DESCRIPTION	APPROVED	DATE
TOLERANCES UNLESS NOTED OTHERWISE		APPROVALS	
X * XXX * XXX *		DRAWN	DATE
90° FORMED +2° ANGLES -1°		CHECKED	DATE
FIRST ANGLE PROJECTION		APPROVED	DATE
		15.11.03	SCALE
		mm	NOT TO SCALE
		DWG NO.	SHEET
		OEM1064	VER 1.2