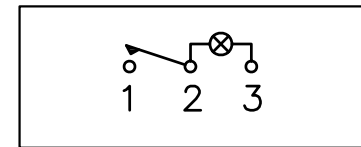


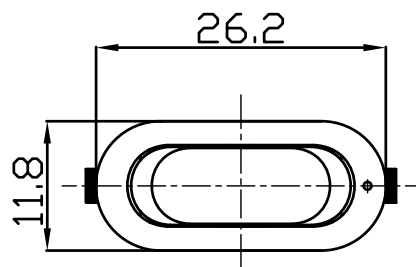
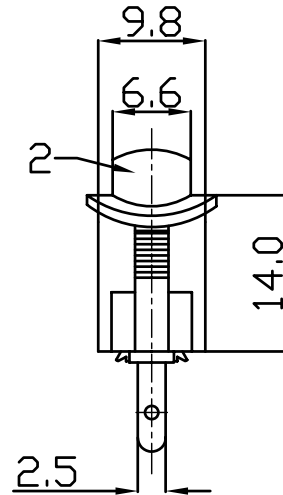
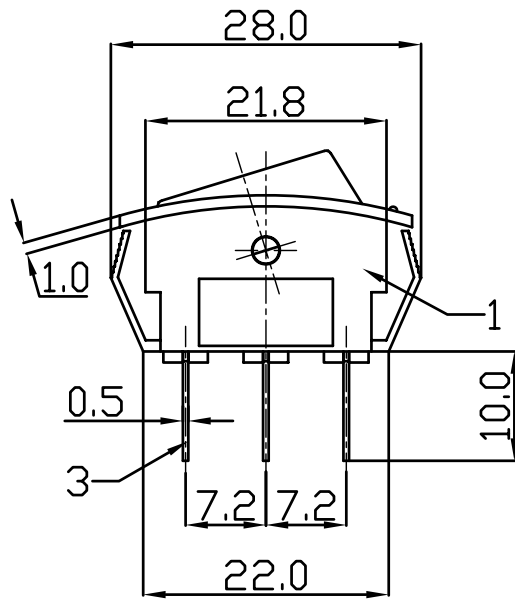
(SPECIFICATINS)

- 1 (CIRCUIT): SPST ON-OFF
- 2 (RATING): UL CUL: 3/6A 250/125VAC, 5/10A 250/125VAC
6.5/13A 250/125VAC, 10/15A 250/125VAC (E196874)
- 3 (OPERATION LIFE): 6,000Cycles At Full Load
- 4 (WITHSTAND VOLTAGE): AC 2000V 1Min
- 5 (Operating Temperature): T120

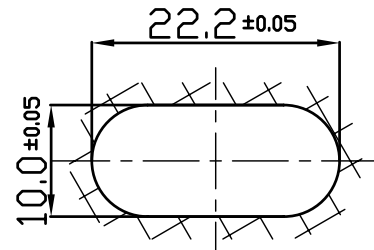
Wiring Diagram



YSR-11-11 (D) /N
On-Off (Illuminate)



Panel Installation Size



Panel Installation
Thickness 1 ~ 4mm

3	CONTACT PLATE	BRASS 0.5mm THICK. W/SILVER PLATING	1		
2	SWITCH KNOB	PC 243R(f1)	1		E161723
1	HOUSING	NYLON 103HSL	1		E41938
NO.	PART NAME	MATERIALS AND SPECIFICATION	COUNT		FILE NO

				Assembly	YSR-11-11 (D) /N