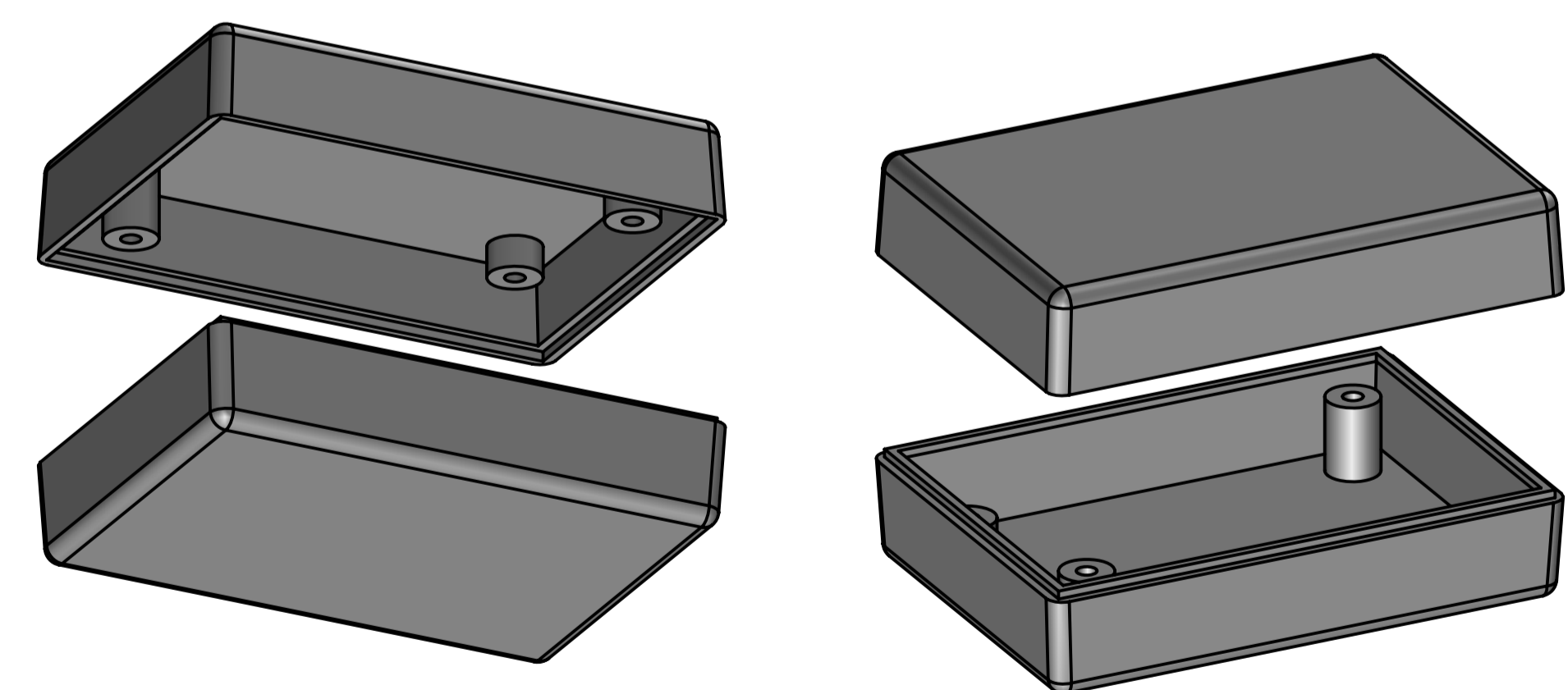
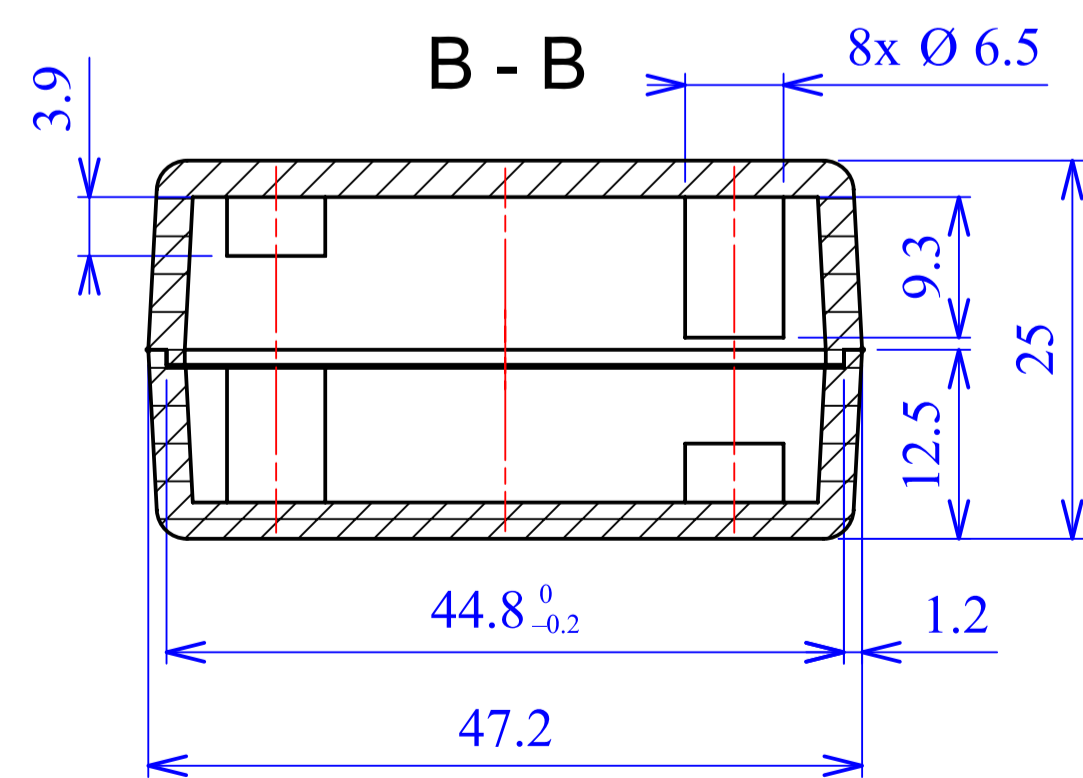
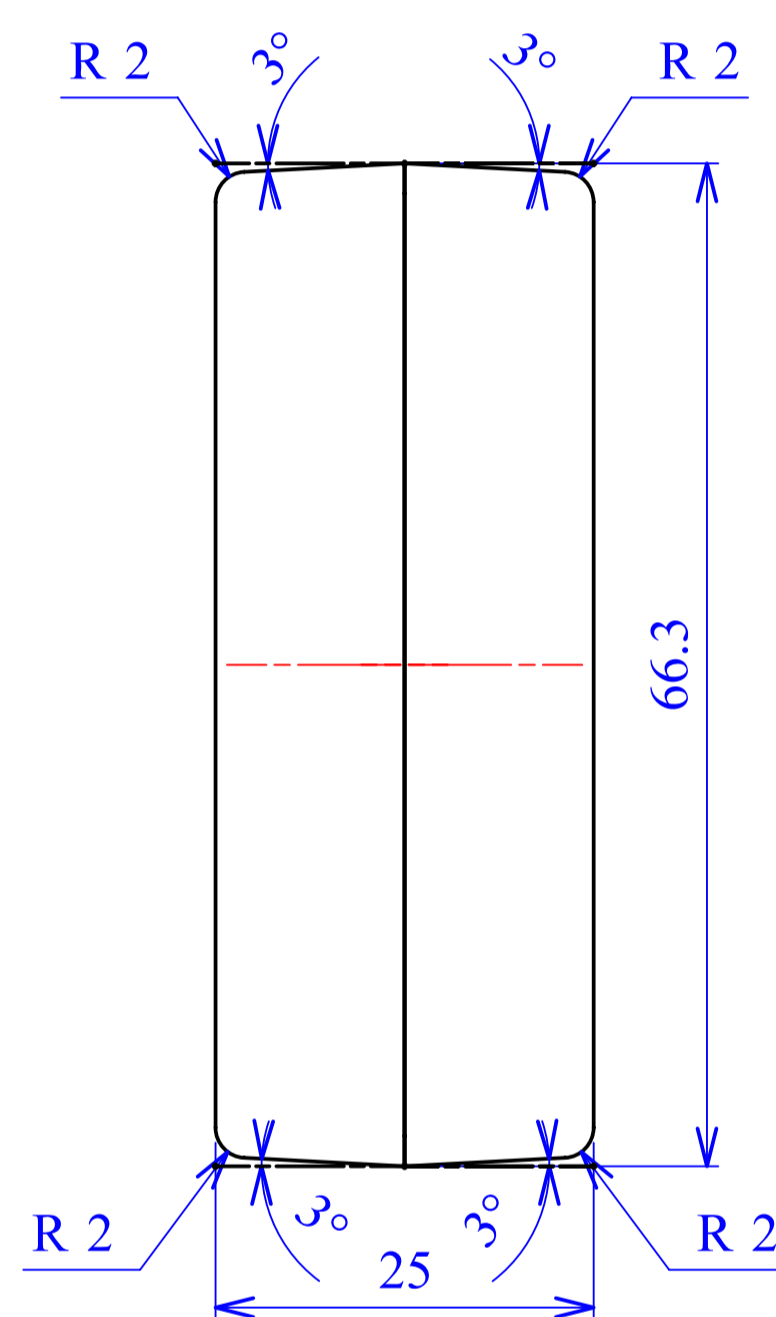
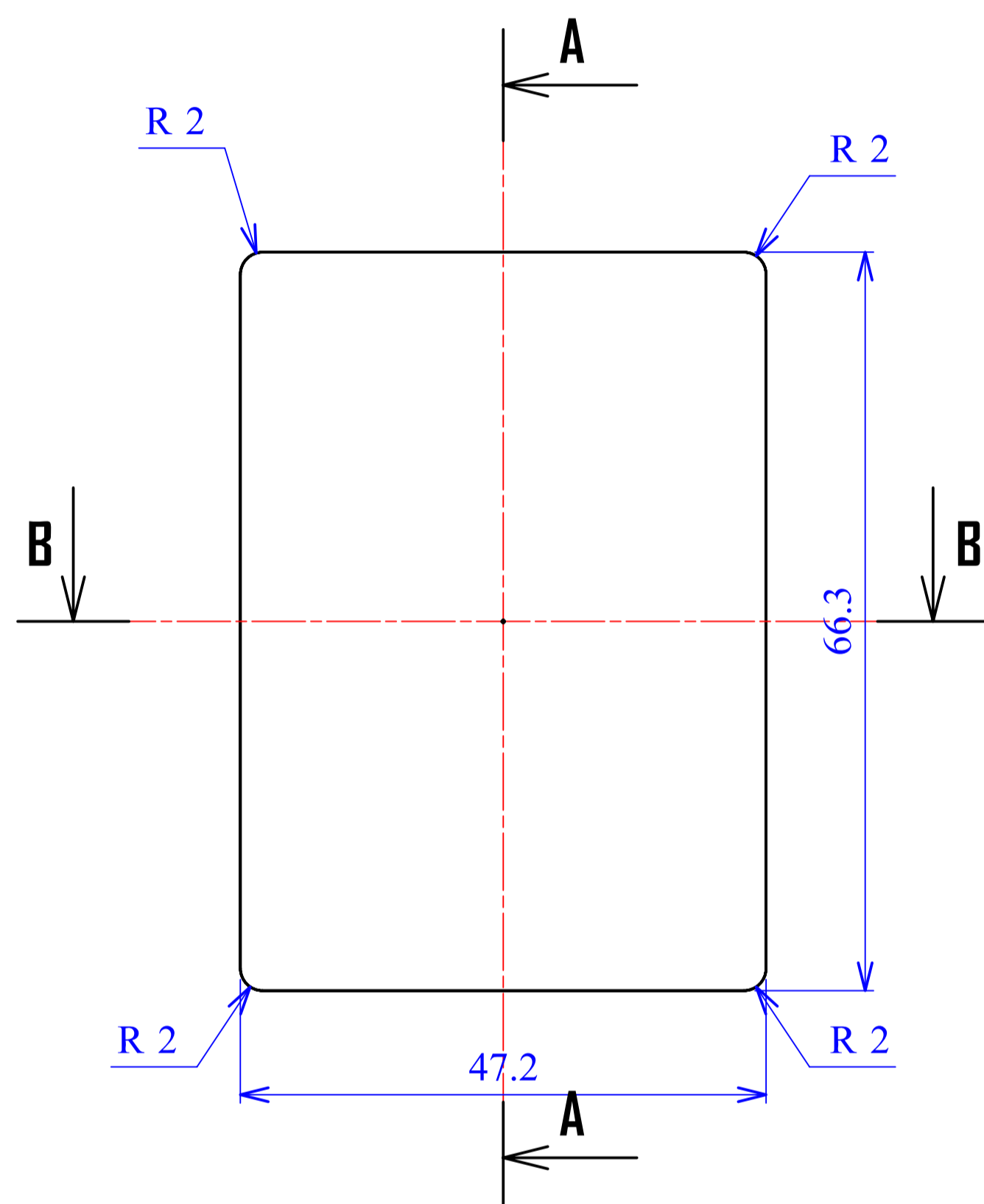
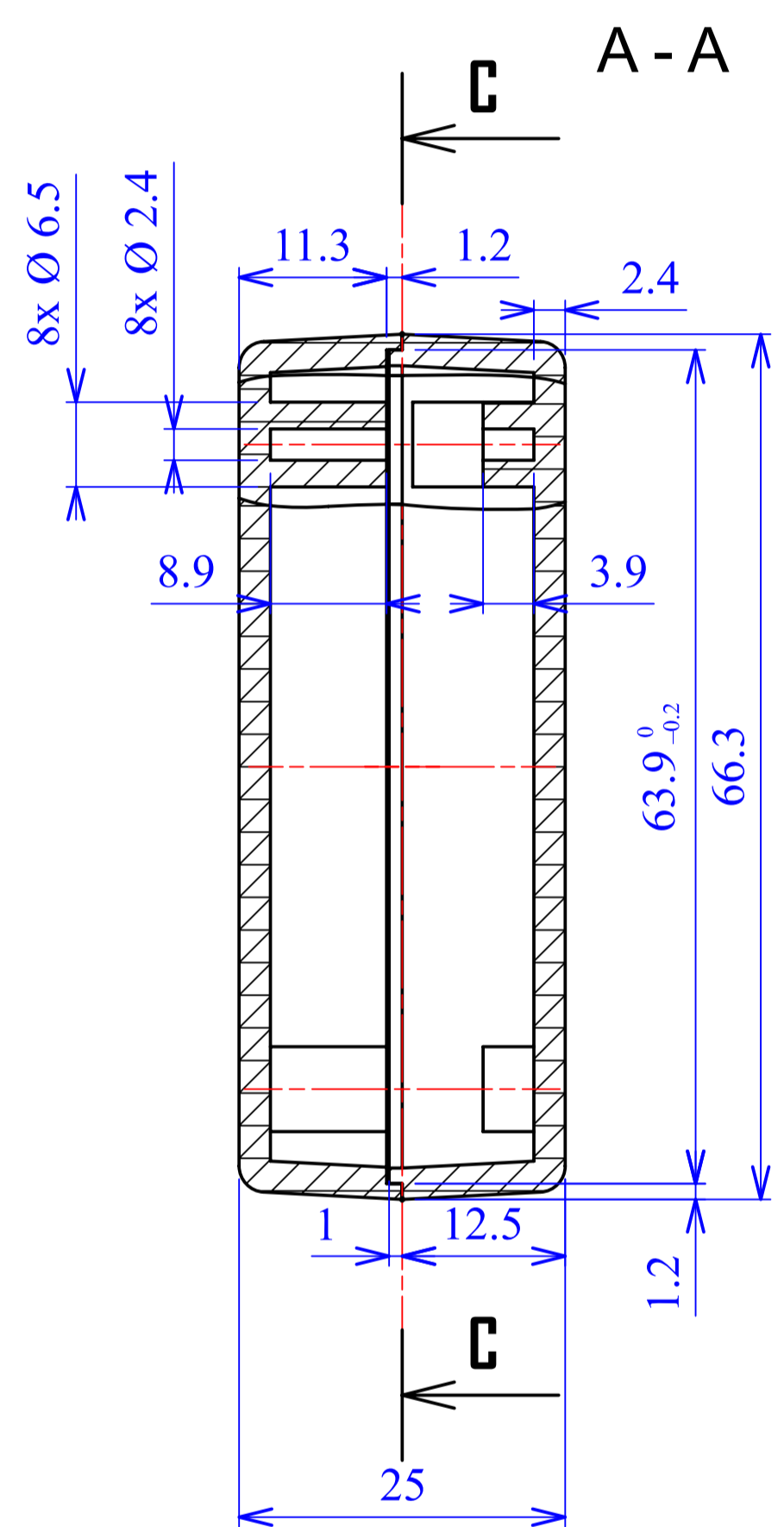
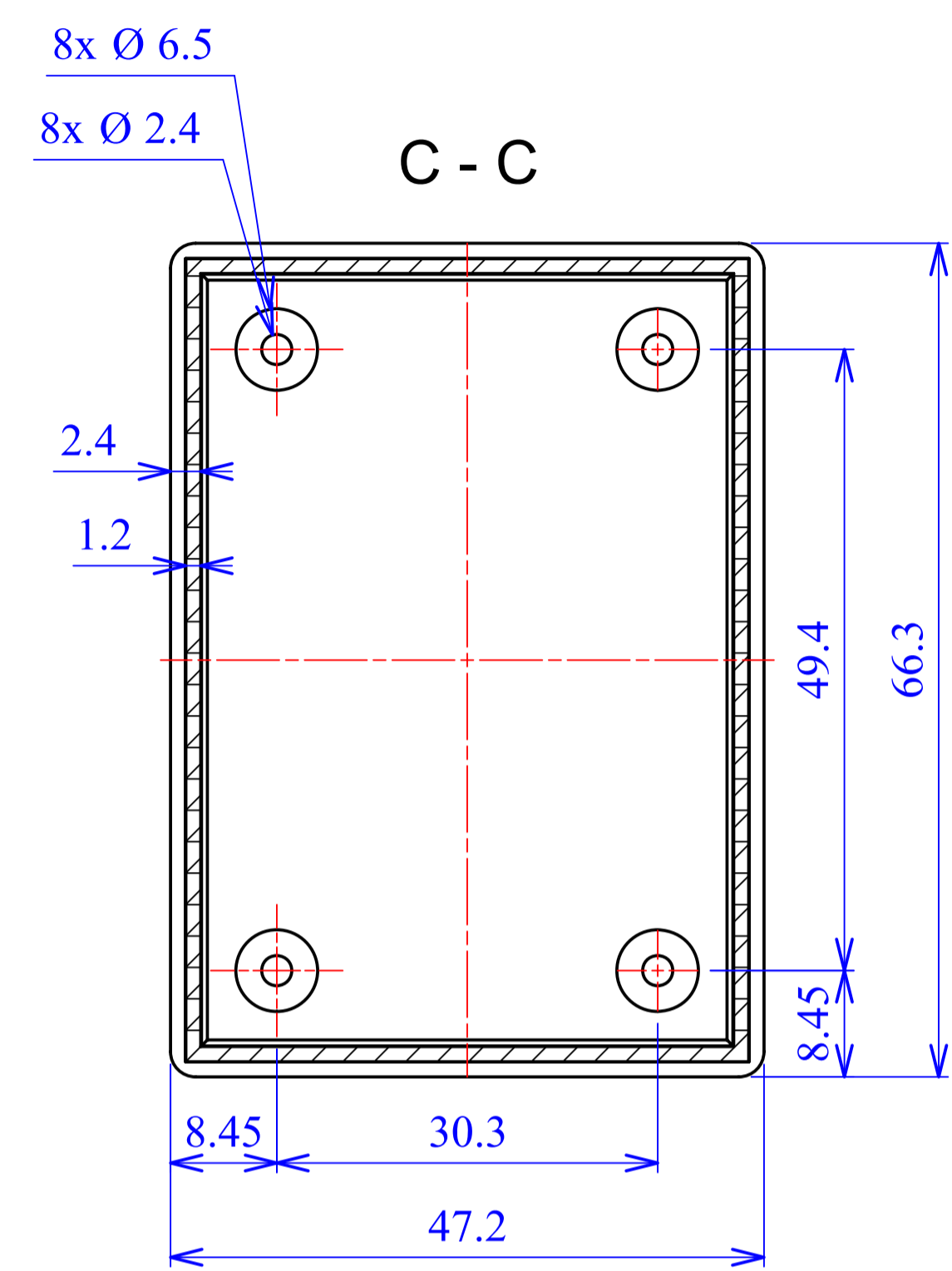
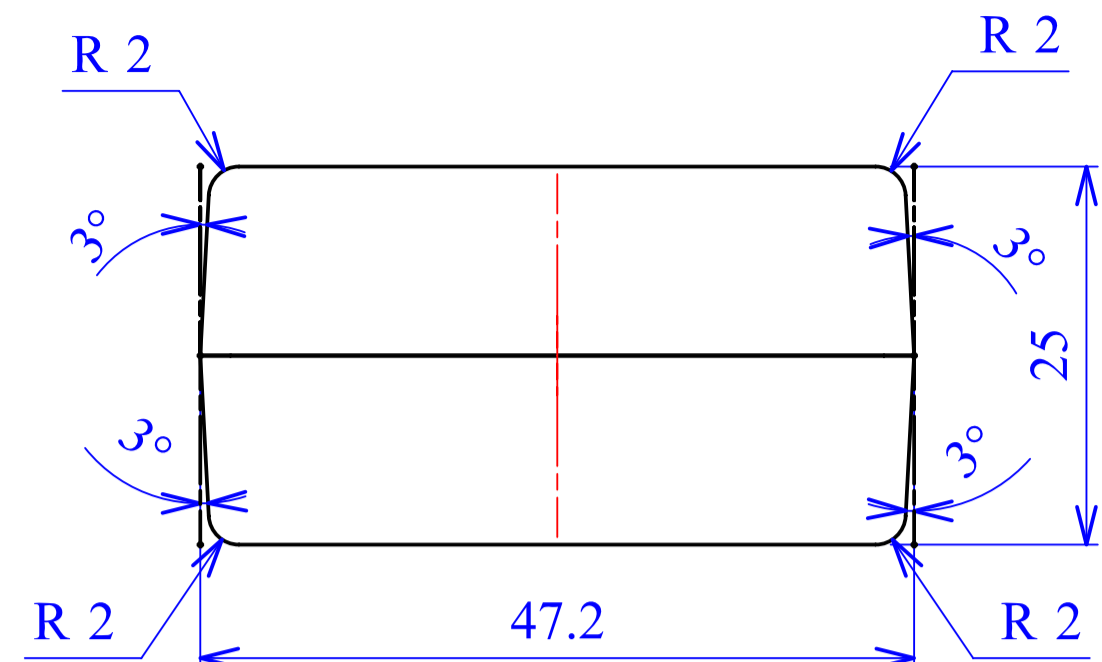


H G F E D C B A

4

4



3

3

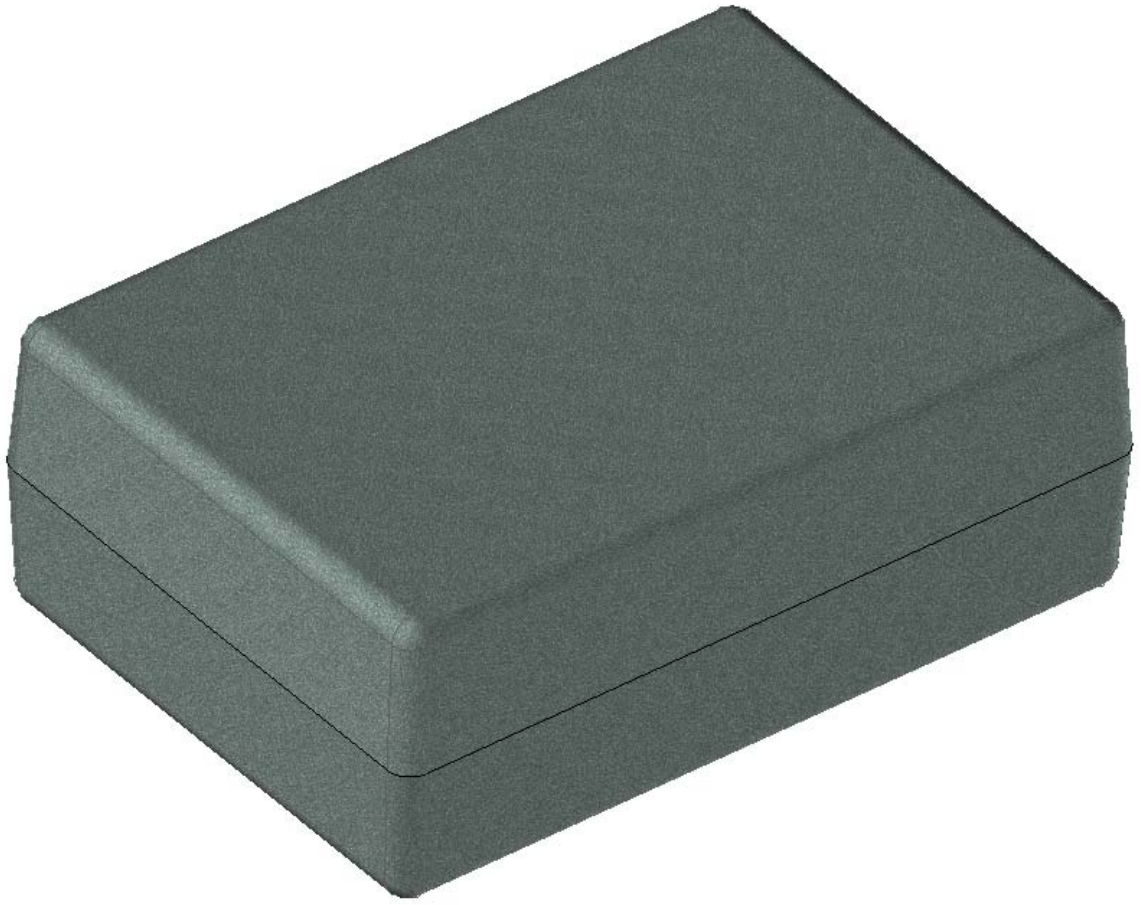
2

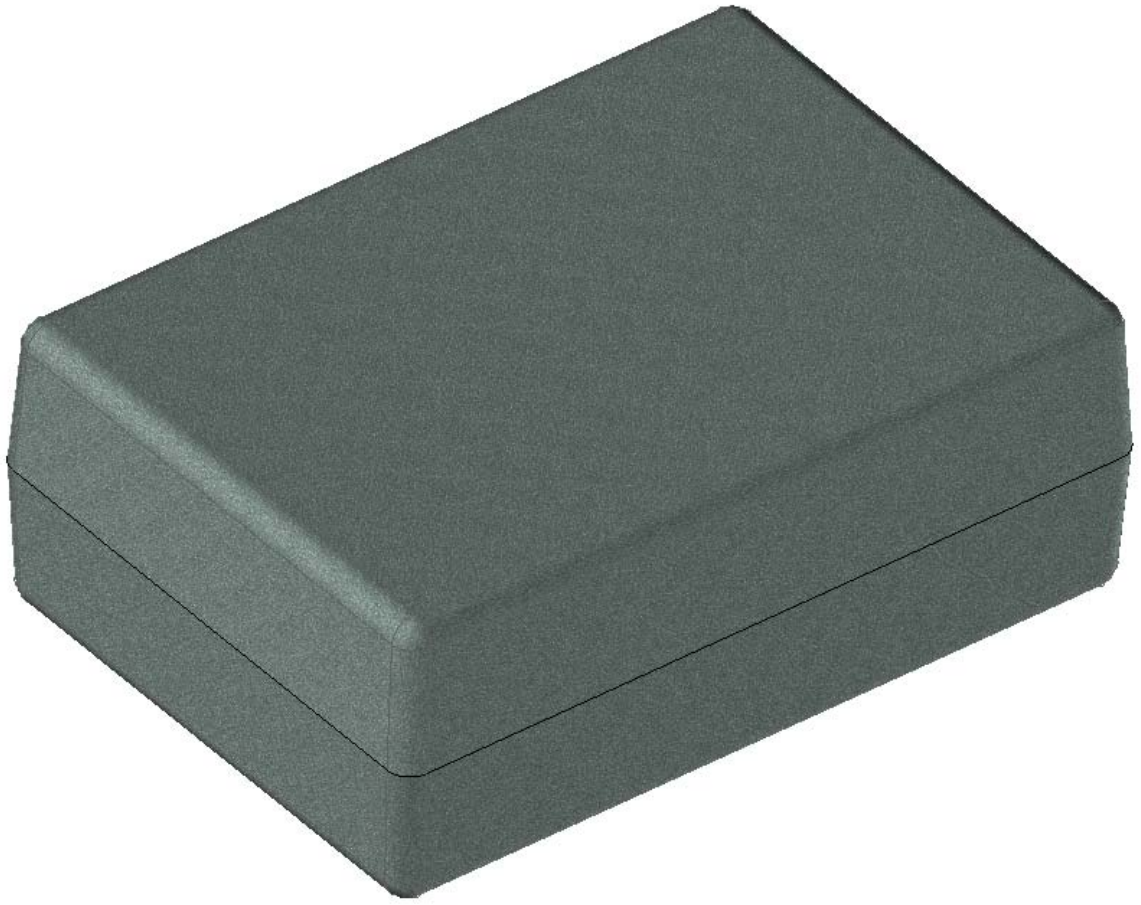
2

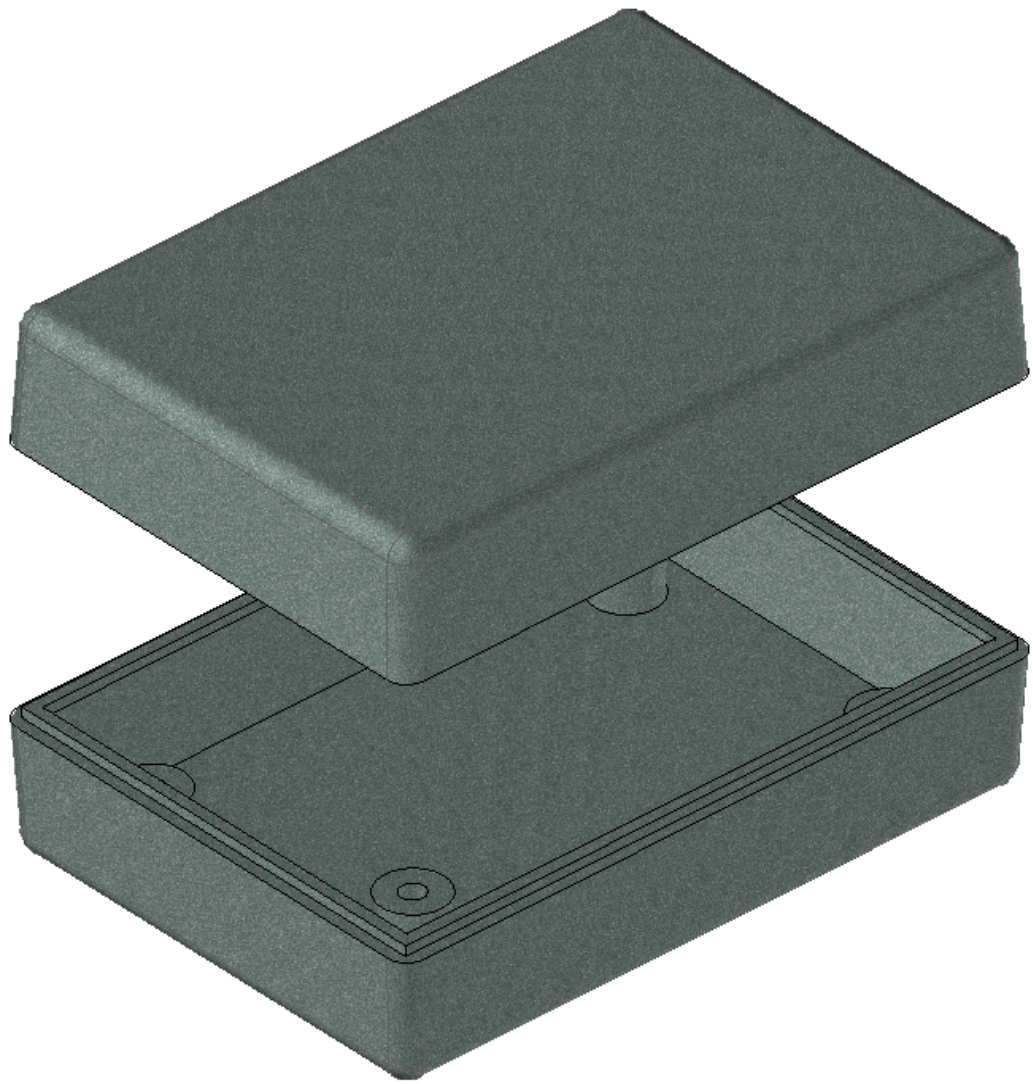
1

1

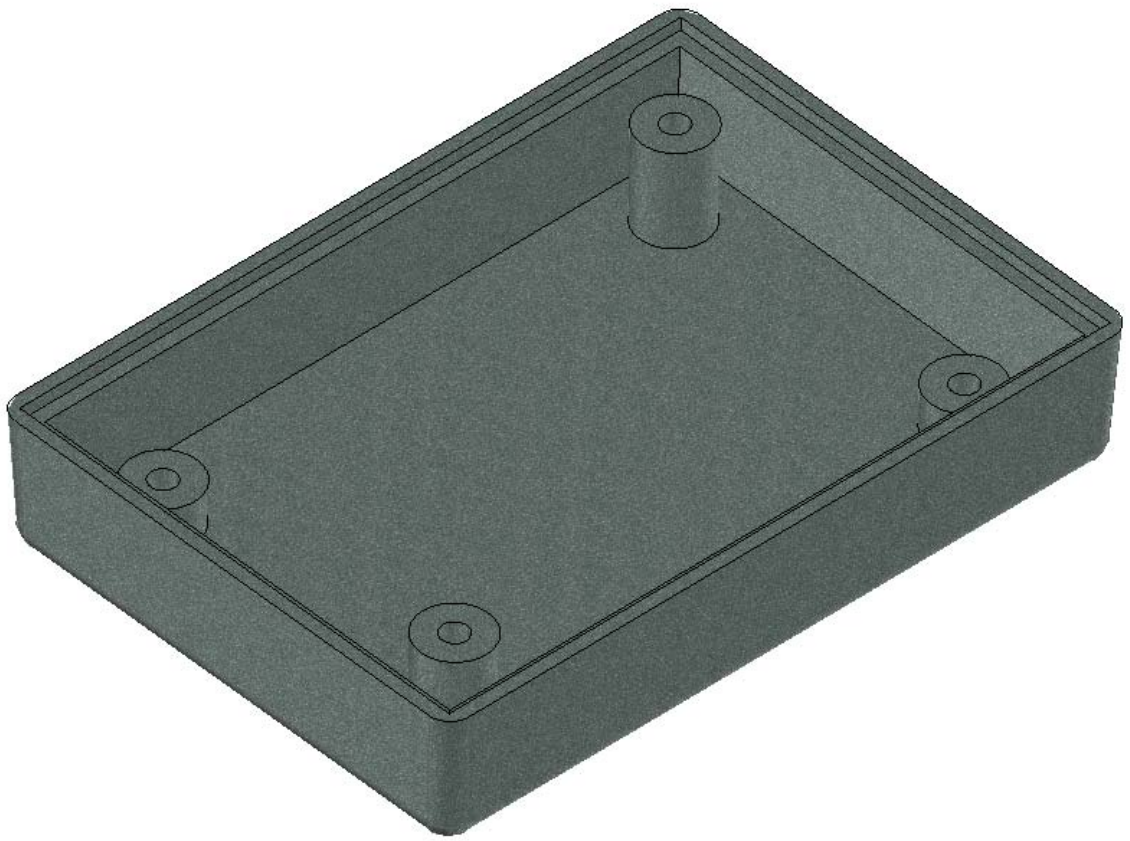
H G F E D C B A

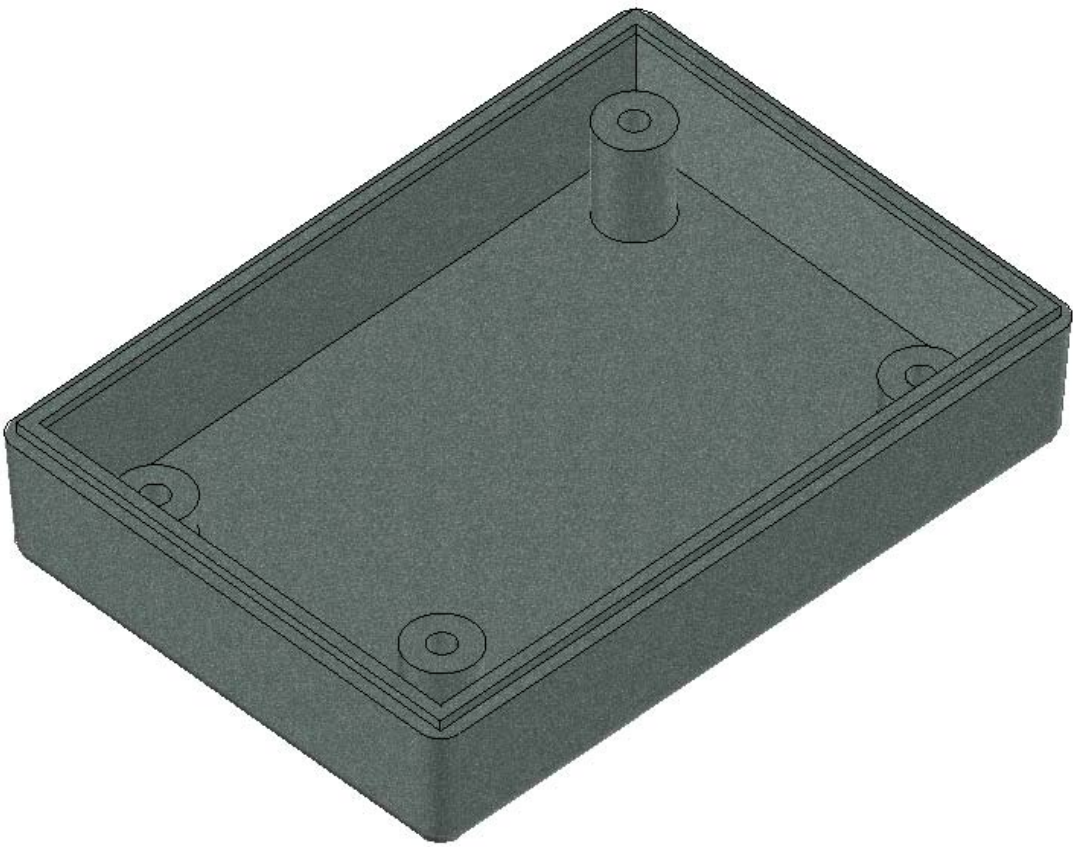


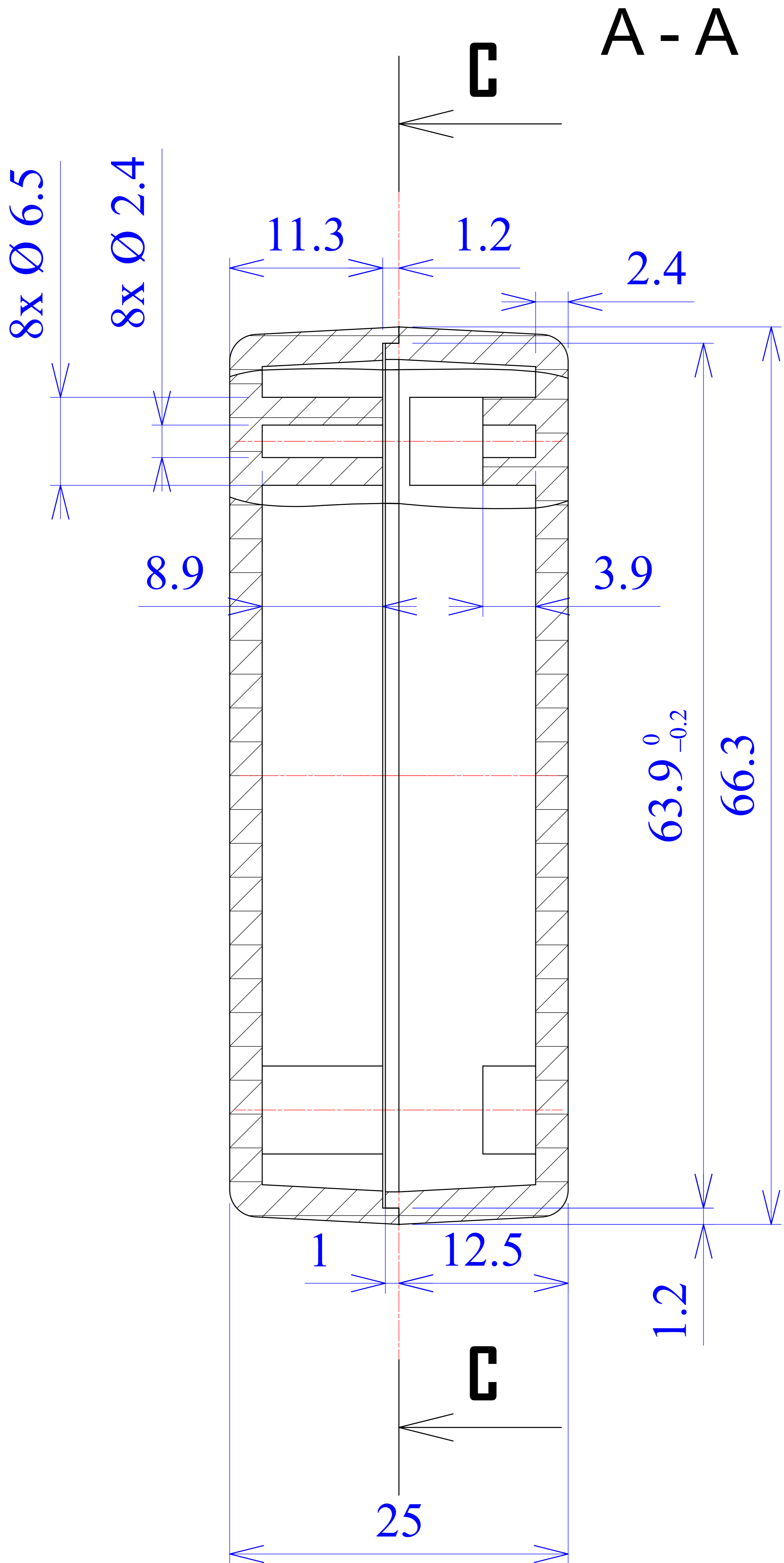




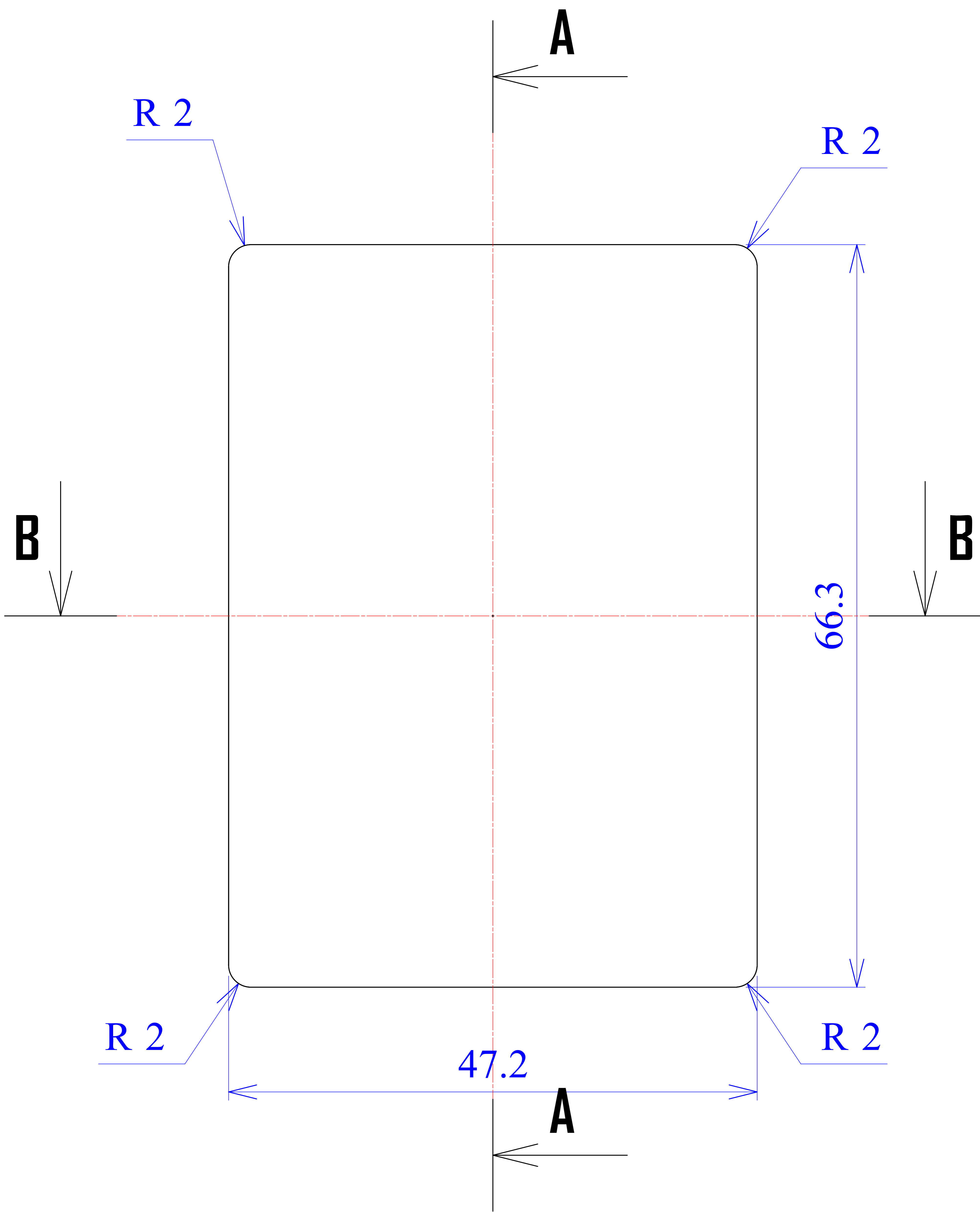


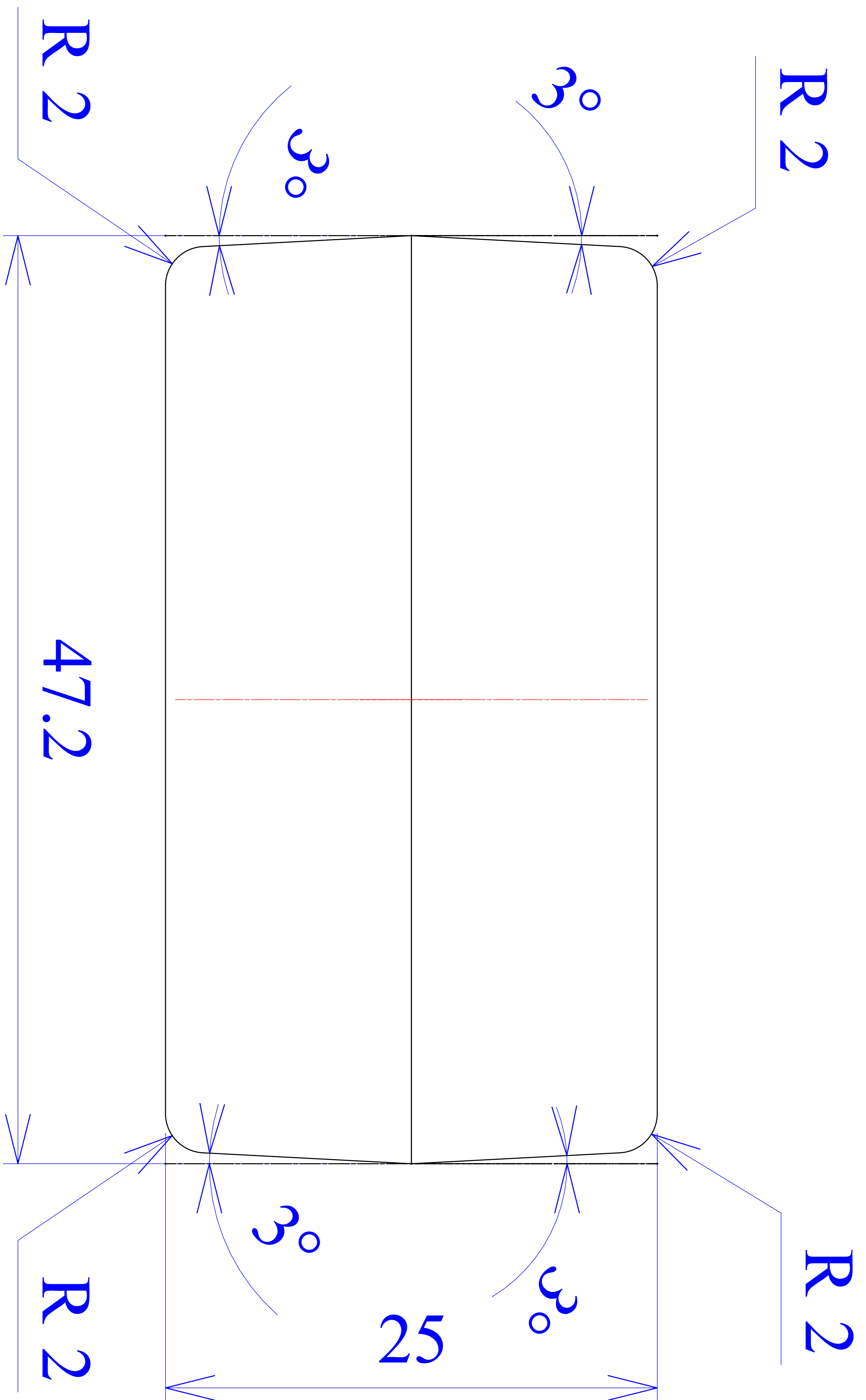


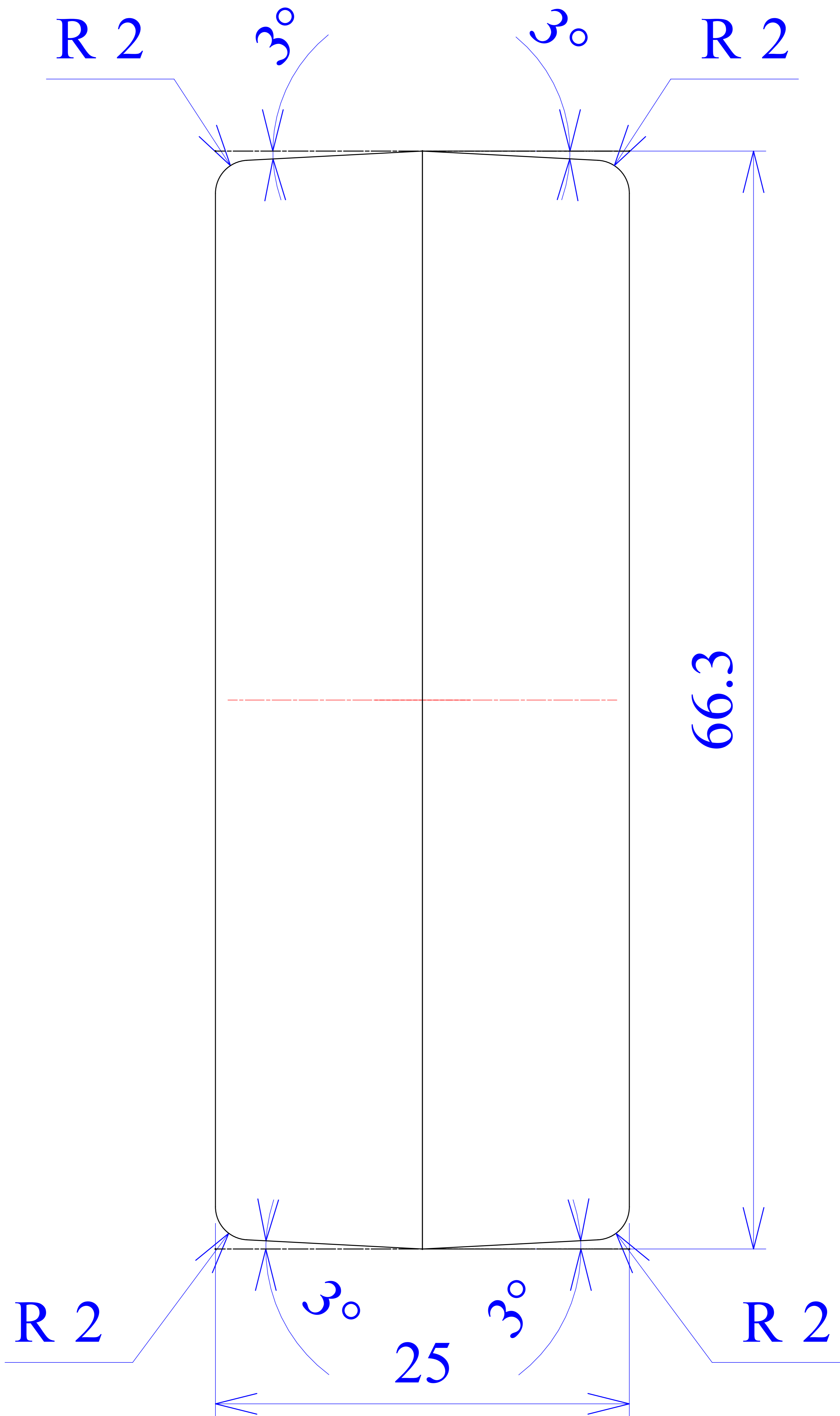












8x Ø 6.5

8x Ø 2.4

C - C

2.4

1.2

49.4

66.3

8.45

30.3

8.45

47.2

