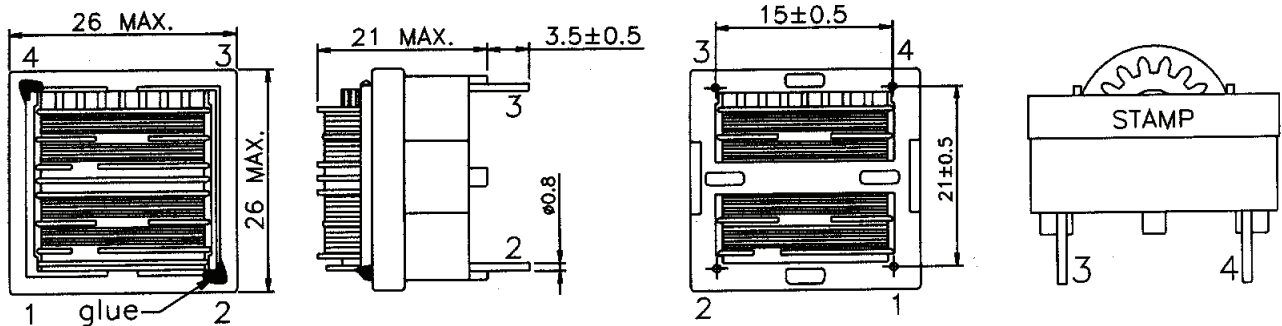


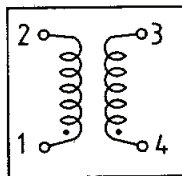
**\*SPECIFICATION\***

CUSTOMER : BelTerraTrans Ltd.	APPROVED BY
CUS. PART NO. :	
COILS PART NO. : ET24H919323	
DATE : 2014-01-13.	

1. DIMENSIONS (UNIT : mm)



2. SCHEMATIC DIAGRAM (BOTTOM VIEW)



3. TURNS, WIRE AND CORE

TERMINAL	TURNS	WIRE
1-2	140T(Ref.)	φ0.32mm UEW
4-3	140T(Ref.)	φ0.32mm UEW
CORE	A07 OR EQUIVALENT	

"•" INDICATES WINDING START.

4. ELECTRICAL CHARACTERISTICS

ITEM	SPEC.	MEASURING CONDITION	MEASURING EQUIPMENT
INDUCTANCE (1-2) & (4-3)	35.0mH MIN.	1kHz/0.1V	HP4284A OR EQUIVALENT
INDUCTANCE BALANCE (1-2) - (4-3)	700uH MAX.		HP4284A OR EQUIVALENT
D.C.R. (1-2) & (4-3)	1.3Ω MAX.	25°C	ZENTECH 502AC OR EQUIVALENT
RATED CURRENT(1-4)	0.6A MAX.	ΔT=45°C (2-3 to be Shorted)	HP-34401A HP-E3632A or Equiv.
HI-POT: COIL-COIL - CORE	AC 2000V 1min. or AC 2400V 2S.	50Hz/60Hz/1mA	ZENTECH 9053 OR EQUIVALENT
INSULATION RESISTANCE COIL-COIL-CORE	100MΩ MIN.	DC 500V	

5. STAMP

**919323** ——— CEC PART NO.

APPROVED BY	CHECKED BY	DESIGNED BY	REVISION	PAGE:1/2