

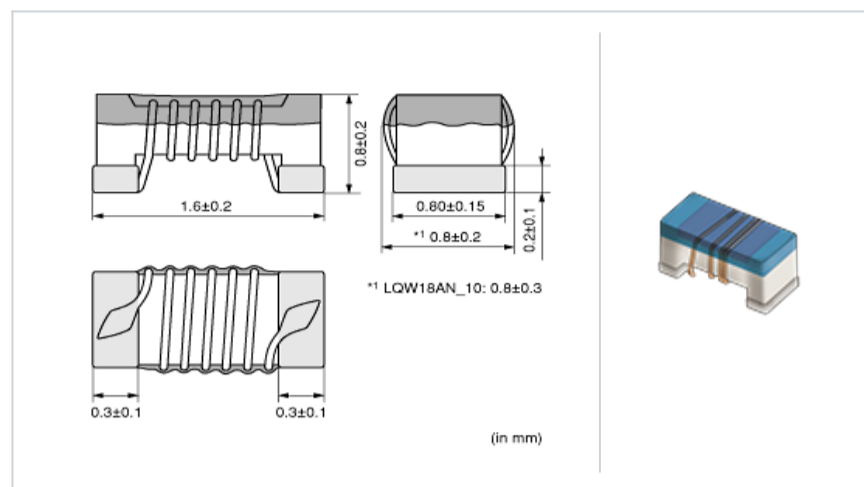
LQW18AN51NG00#

" # " indicates a package specification code.



< List of part numbers with package codes >
 LQW18AN51NG00D , LQW18AN51NG00J , LQW18AN51NG00B

Shape



L size	1.6 ± 0.2mm
W size	0.8 ± 0.2mm
T size	0.8 ± 0.2mm
Size code mm (inch)	1608 (0603)

References

Packaging code	Specifications	Minimum quantity
D	Paper tape (180mm)	4000
J	Paper tape (330mm)	10000
B	Packing in bulk	500

Mass (Typ.)	
1 piece	0.003g

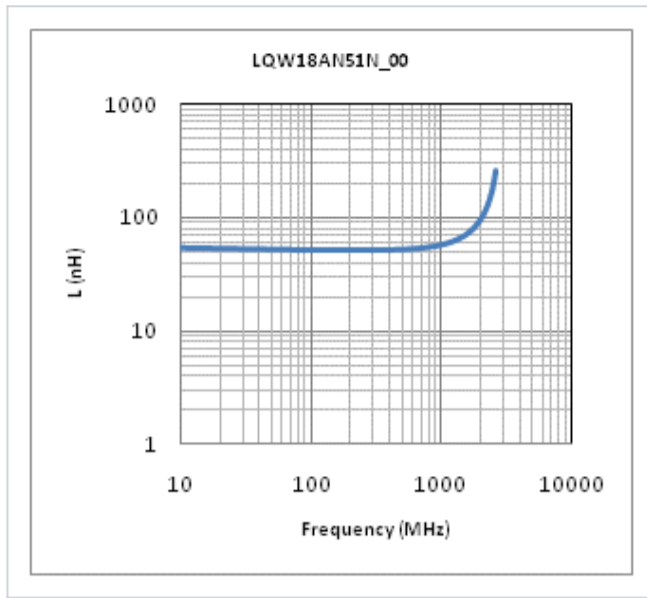
Specifications

Inductance	51nH ± 2%
Inductance test frequency	100MHz
Rated current (Itemp) (Based on Temperature rise)	370mA
Max. of DC resistance	0.33
Q (min.)	38
Q test frequency	200MHz
Self resonance frequency (min.)	2500MHz
Operating temperature range (Self-temperature rise is not included)	-55 ~ +125

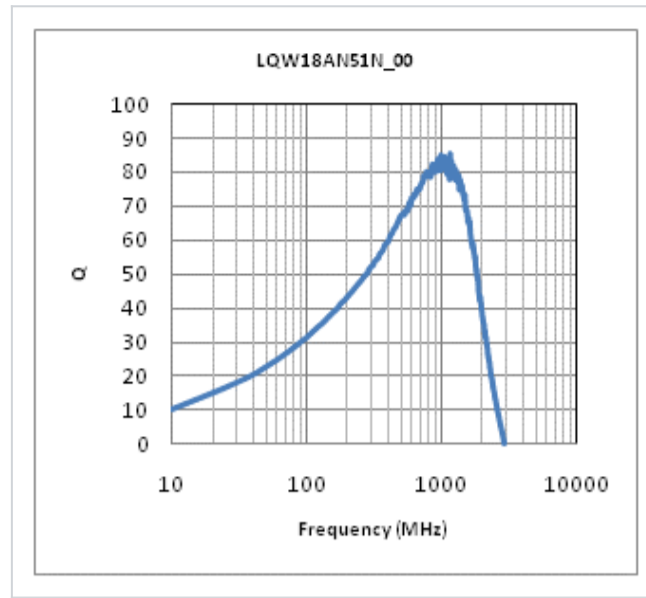
⚠ Attention

- 1.This datasheet is downloaded from the website of Murata Manufacturing Co., Ltd. Therefore, it ' s specifications are subject to change or our products in it may be discontinued without advance notice. Please check with our sales representatives or product engineers before ordering.
- 2.This datasheet has only typical specifications because there is no space for detailed specifications. Therefore, please review our product specifications or consult the approval sheet for product specifications before ordering.

▪ Inductance-Frequency characteristics (Typ.)



▪ Q-Frequency characteristics (Typ.)



This PDF data has only typical specifications because there is no space for detailed specifications.

Therefore, please review our product specifications or consult the approval sheet for product specifications before ordering.