

Conventional Waterproof Constant Voltage Driver ----150W



Features:

- Output constant voltage
- Input range 170-265VAC 90-130VAC
- Efficiency 85% max.
- Protections:short circuit/ over voltage/over temperature
- Cooling by free air convection
- IP67 design for indoor or outdoor installations .
- Suitable for LED lighting and moving sign applications
- Compliance to worldwide safety regulations for lighting
- Suitable for dry/damp/wet locations

Specification

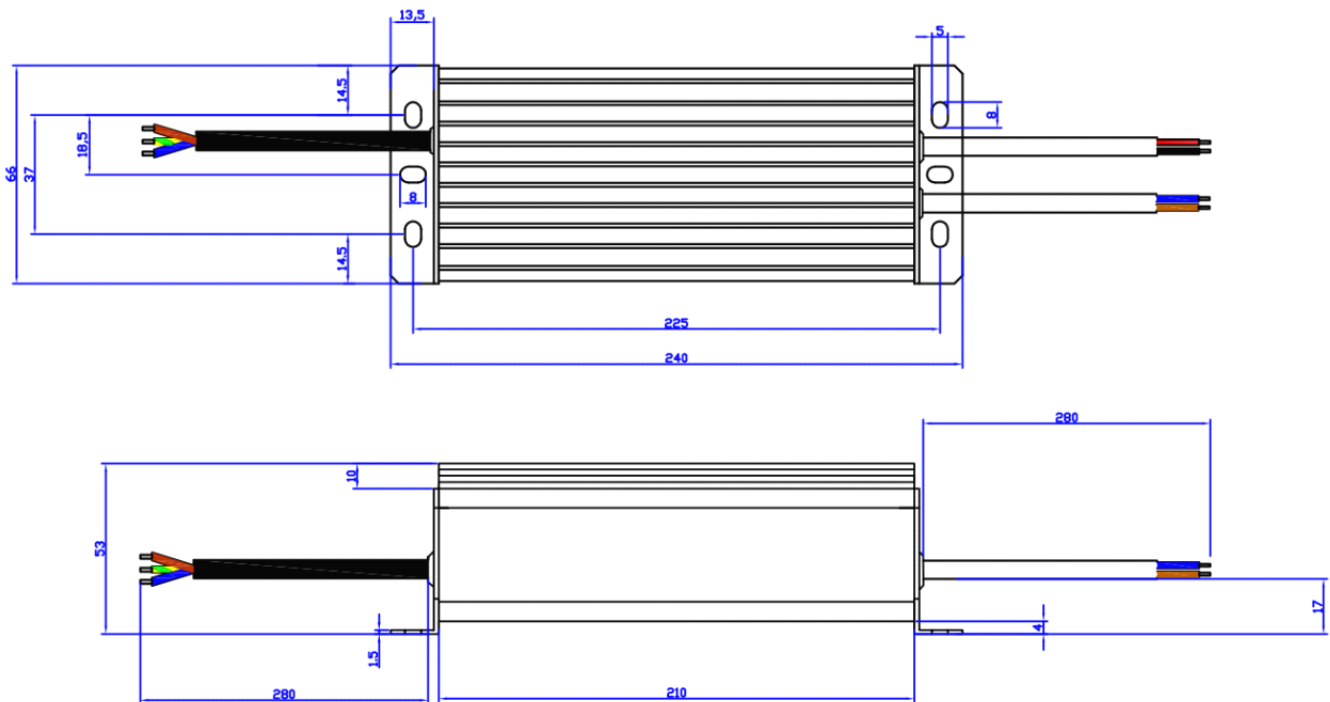
IP67 RoHS CE

Model		GNVA--12150T-S
Output	DC Current	12.5A
	Voltage Accuracy	±0.5V
	Output voltage	12V
	Rated power	150W
	Ripple&noise Max.	200mVp-p
Input	Voltage Range	170~265VAC or 90-130V AC (90~265VAC can customized)
	Frequency Range	47~63HZ
	Power Factor (Typ.)	PFC 0.6
	Full Load Efficiency (Typ.)	83%
	AC Current (Typ.)	1.81A/170VAC 1.4A/220VAC 1.16A/265VAC (No PFC)
	Leakage current	3.5mA/220VAC
Protection	Short Circuit	Protection type: Hiccup mode, recovers automatically after fault condition is removed
	Over voltage	≦280VAC
	Over temperature	100°C±10°C shut down o/p voltage, re-power on to recover
Environment	Working TEMP.	-40~+60°C
	Working Humidity	20~95%RH,non-condensing
	Storage TEM.,Humidity	-40~+80°C, 10~95%RH
	TEMP.coefficient	±0.03%/°C (0~50°C)
	Vibration	10~500Hz, 5G 12min./1 cycle, period for 72min.each along X,Y,Z axes

Conventional Waterproof Constant Voltage Driver ----150W

Safety&EMC	Safety standards	EN61347-2-13.IP67
	Withstand voltage	I/P-O/P:3.75KVAC I/P-FG:1.88KVAC O/P-FG:0.5KVAC
	Isolation resistance	I/P-O/P I/P-FG O/P-FG: 100MΩ/500VDC/25℃/70%RH
	EMC EMISSION	Compliance toEN55015,EN61000-3-2 (≧50%Load)
	EMC IMMUNITY	Compliance to EN61000-4-2,3,4,5,6,8,11,EN61547,Alight industry level (surge4KV)
Others	Weight	1.3Kg
	Size	240*66*53mm (L*W*H)
	packing	329*279*176mm/10pcs
Notes	1. All parameters NOT specially mentioned are measured at 220VAC input , rated load and 25℃of ambient temperature. 2. Ripple& noise are measured at 20MHz of bandwidth by using a 12”twisted pair-wire terminated with a 0.1uf &47uf parallel capacitor. 3.Tolerance:includes set us tolerance,line regulation and load regulation .	

■150W conventional constant voltage driver Mechanical Specification



※Input VDE H03VV-F 3G *0.75m m², the green/yellow cable connect with (FG), Brown with AC (L),Blue with AC(N)

※Output VDE H03VV-F 2G*0.75m m², Brown is output (V+) ,Blue is output (V-)

※Note: Any other requests we can customized.

**Conventional Waterproof Constant Voltage Driver
----150W**

■Load derating curve

