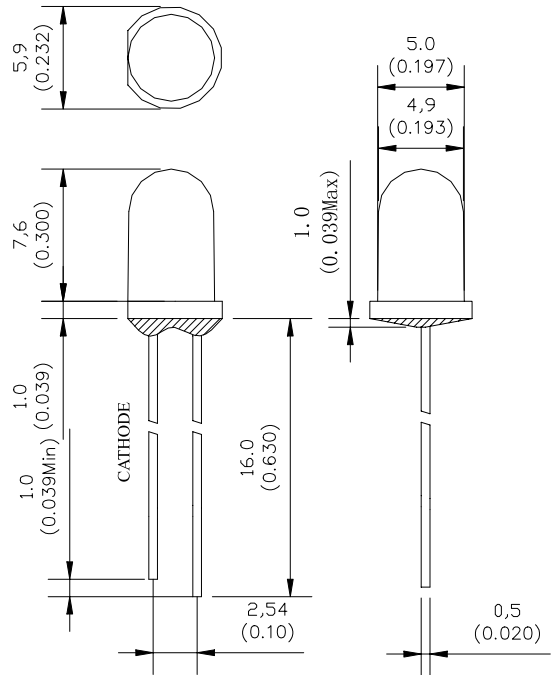


## GNL-5012PD ( $\Phi$ 5mm Photodiode) Black Lens packaged

ABSOLUTE MAXIMUM RATING:(Ta=25°C)



Parameter			Unit
DC Forward Current	30		mA
Reverse Voltage	5		V
Reverse Current (Vr=5V)	10		$\mu$ A
Peak Forward Current ,tw ,=1 msec Duty ,=1/20	150		mA
Operation Temperature	-25	+80	°C
Storage Temperature	-40	+85	°C
Solder Dip Temperature (5 seconds,1.6mm from body )	300	$\pm$ 5	°C

Parameter	Symbol	Condition	Min.	Typ.	Max.	Units
Rang of Spectral Bandwidth	$\lambda_{0.5}$	_____	_____	840-1200	_____	nm
Wavelength of Peak Sensitivity	$\lambda_p$	_____	_____	980	_____	nm
Open-Circuit Voltage	Voc	Ee=5m W/cm2 $\lambda_p =940$ nm	_____	0.42	_____	V
Short-Circuit Current	Isc	Ee=5m W/cm2 $\lambda_p =940$ nm	_____	2	_____	$\mu$ A
Reverse Light Current	IL	Ee=5m W/cm2 $\lambda_p =940$ nm VR=5V	_____	2	_____	
Dark Current	ID	Ee=0 W/cm2 VR=10V	_____	10	_____	nA
Reverse Breakdown	BVR	Ee=0 W/cm2 IR=100 $\mu$ A	32	170	_____	V
Total Capacitance	Ct	Ee=0 W/cm2 VR=3V F=1MHZ	_____	5	_____	pF
Rise/Fall Time	T / t f	VR=10V RL=1K $\Omega$	_____	6/6	_____	ns