

| BOM LIST |                      |      |         |
|----------|----------------------|------|---------|
| ITEM     | PART NAME            | Q'ty | NOTES   |
| 1        | PLASTIC HOOD         | 2    | SEE P/N |
| 2        | 2.1 LONG BOLT        | 2    | #4-40   |
|          | 2.2 SHORT BOLT       | 2    | #4-40   |
| 3        | NUT                  | 2    | M3      |
| 4        | LONG SCREW           | 2    | M3      |
| 5        | SMALL WASHER         | 2    |         |
| 6        | SHORT SCREW          | 2    | M3      |
| 7        | 7.1 METAL WASHER     | 2    | M3      |
|          | 7.2 PLASTIC-1 WASHER | 2    | ABS     |
|          | 7.3 PLASTIC-2 WASHER | 2    | ABS     |

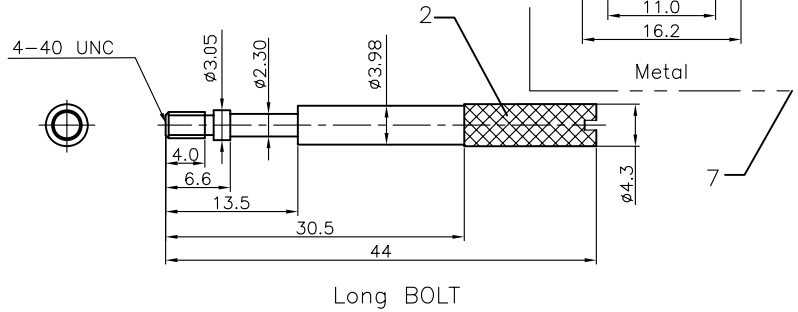
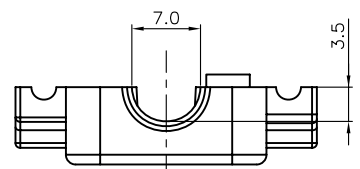
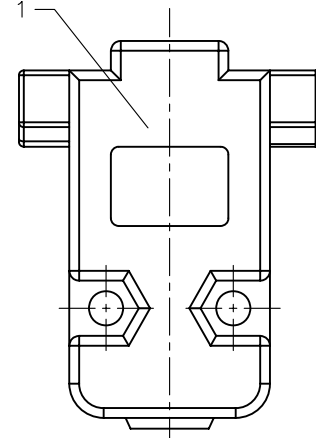
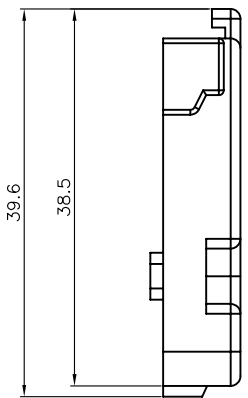
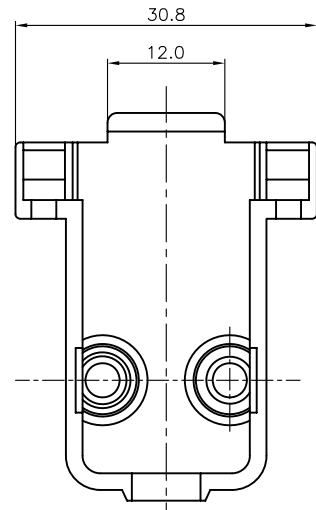
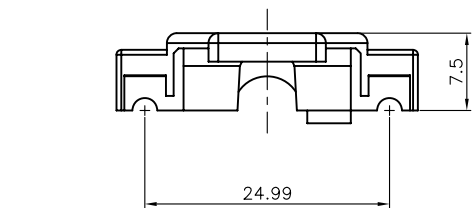
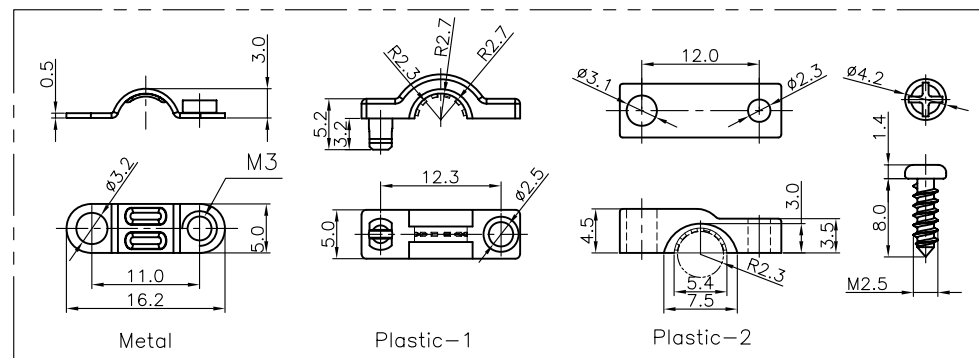
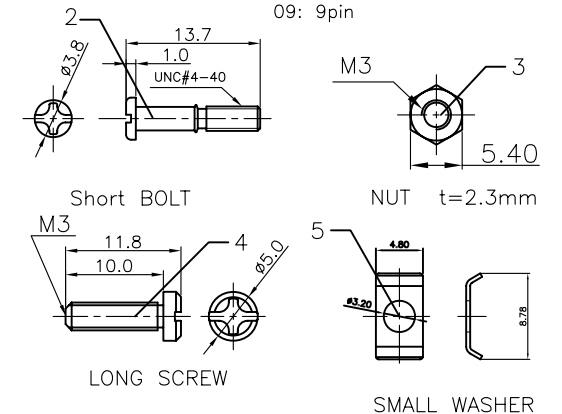
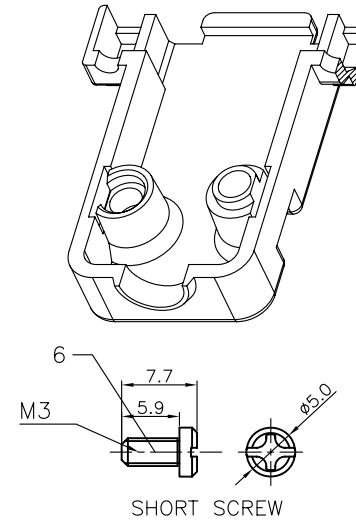
| REV. | DESCRIPTION     | DRAWN         | CHECKED | APPROVED      |
|------|-----------------|---------------|---------|---------------|
| A    | NEW RELEASE     | LJH 08/13/05' | ~       | LJC 08/13/05' |
| B    | 整理图面            | YCH 09/13/07' | ~       | LJC 09/13/07' |
| C    | 整理英制短螺丝尺寸       | YCH 07/18/08' | ~       | LJC 07/18/08' |
| D    | 增加“全包装”类型       | YCH 05/20/10' | ~       | LJC 05/20/10' |
| E    | 改M3*12的螺钉为M3*10 | YCH 08/30/10' | ~       | LJC 08/30/10' |
| F    | ADD P/N CODE    | LJC 12/24/13' | ~       |               |

NOTES:

1. Hardwares are all Nickel plated.
2. PART NUMBER CODE:

DS1045 - 09 X X X X X - X

- Hood Materials (F)
- A: ABS
- B: Similar ABS
- Washer type
- 1: Metal
- 2: Plastic-1(Lock type)
- 3: Plastic-2(Screw type)
- Bolt type
- L: Long
- S: Short
- Packing type
- 1: Mix packing
- 2: Separation packing
- Q: Full packing
- Cover Material
- P: Plastic(ABS)
- Cover Color
- A: Gray
- B: Black
- V: Ivory
- Position
- 09: 9pin



| GENERAL TOLERANCE | ANGLE TOLERANCE |
|-------------------|-----------------|
| X. ±0.60          | X. ±5°          |
| .X ±0.38          | .X ±3°          |
| .XX ±0.25         | .XX ±2°         |

| PROJECTION | TITLE | D-SUB Plastic Hood 180°<br>9 Positions |               |
|------------|-------|--|---------------|
| UNITS      | mm    | SHEET                                  | DS1045 SERIES |
| SHEET SIZE | A4    | SERIES                                 | DS1045 SERIES |

| DRAWING TYPE | CUSTOMER             |
|--------------|----------------------|
| SCALE        | 1:1 SHEET 1 OF 1     |
| DRAWING NO.  | C-DS1045-09XXXXX-X-F |

**晨翔电子有限公司**  
**CONNFLY® CONNFLY ELECTRONIC CO., LTD**